

EP41

Pressure switch for TU-3, TU-4, TU-5 R and FR units

Pressostato digitale per le unità R e FR TU-3, TU-4, TU-5



EP43

Pressure switch

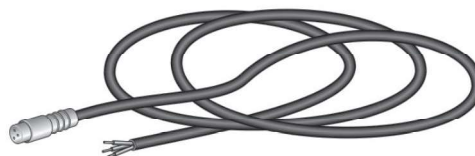
Pressostato digitale



VSC - P4 - 020

4 poles cable (2000 mm) for pressure switch extension

Cavo a 4 fili (2000 mm) per prolunga pressostato digitale



EP41

HIGH PRECISION DIGITAL PRESSURE SWITCH

PRESSOSTATO DIGITALE AD ALTA PRECISIONE



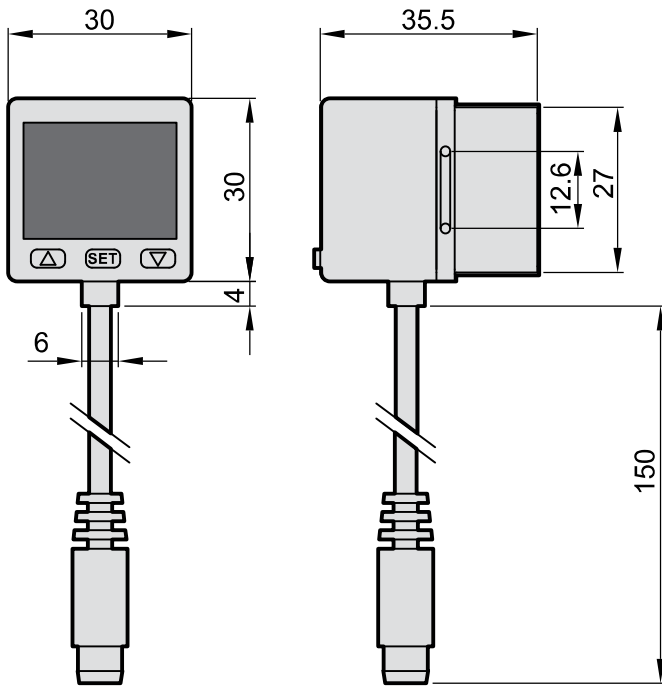
FEATURES / CARATTERISTICHE

- **2 PNP Output**
Uscita 2 PNP
- **-1 ~ 10 Bar range**
Range di pressione -1 ~ 10 Bar
- **Hysteresis adjustable**
Regolazione d'isteresi
- **High accuracy and resolution**
Alta precisione e risoluzione
- **Pressure unit selectable:**
kPa, MPa, kgf/cm², bar, psi, inHg, mmHg
Unità di pressione selezionabili:
kPa, MPa, kgf/cm², bar, psi, inHg, mmHg
- **2 meter cable available (VSC - P4 - 020)**
Cavo di 2 metri disponibile (VSC - P4 - 020)
- **Compatible with TU - 3, TU - 4, TU - 5 series**
Compatibile con le serie TU - 3, TU - 4, TU - 5

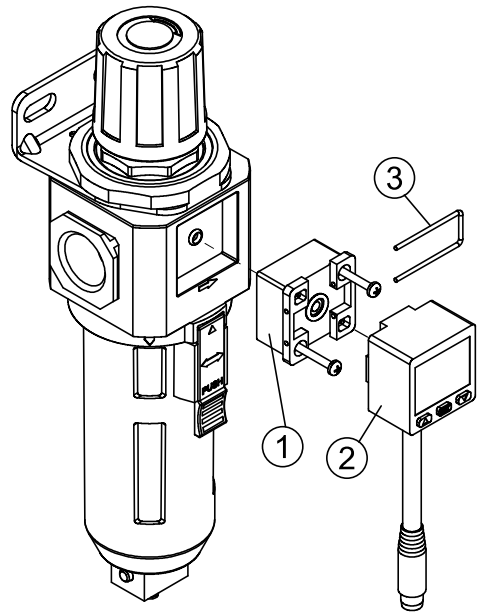
TECHNICAL FEATURES / CARATTERISTICHE TECNICHE

| | | |
|--|--|---|
| Rated pressure range | 0.0 ~ 10 Bar | |
| Setting pressure range | -1 ~ 10 Bar | |
| Withstand pressure | 15 Bar | |
| Fluid | Air, Non-corrosive gases, incombustible gases | |
| Set pressure resolution | KPa / MPa | - / 0.001 |
| | kgf/cm ² / Bar | 0.01 |
| | psi | 0.1 |
| | inHg / mmHg | - |
| Power supply voltage | 12 to 24V DC ±10%, Ripple (P-P) 10% or less | |
| Current consumption | ≤ 40mA (With no load) | |
| Switch output | Output type | 2 PNP open collector |
| | Max. load current | 125mA |
| | Max. supply voltage | 24V DC (at PNP output) |
| | Residual voltage | ≤1.5V |
| Response time | Chattering-proof function: 50ms, 250ms, 500ms, 1000ms, 3000ms selections | |
| Output short circuit protection | Yes | |
| Display | LCD display | Two color (Red/Green) main & unit display, Orange sub-display (Sampling rate: 5 times/1sec. |
| | Switch On indicator | Orange (1 & 2 indicator) OUT1 OUT2 |
| | Updates time | Adjustable |
| | Indicator accuracy | ≤±2% F.S. ±1 digit (ambient temperature: 25 ± 3°C) |
| Repeatability (switch output) | ≤± 0.2% F.S. ±1 digit | |
| Environment | Enclosure | IP40 |
| | Ambient temp. range | Operation: 0 ~ 50°C, storage: -10 ~ 60°C (No condensation or freezing) |
| | Ambient humidity range | 35 ~ 85% RH (No condensation) |
| | Withstand voltage | 1000V AC in 1-min. (between case and lead wire) |
| | Insulation resistance | 50M Ω min. (at 500V DC, between case and lead wire) |
| | Vibration | Total amplitude 1.5mm or 10G, 10Hz-150Hz-10Hz scan for 1 minute, two hours each direction of X, Y and Z |
| | Shock | 100m/s ² (10G), 3 times each in direction of X, Y, and Z |
| Temperature characteristic | ≤±2% F.S. of detected pressure (25°C) at temp. Range of 0 ~ 50°C | |
| Lead wire | Oil resistance cable (0.15mm ²) | |
| Weight | Approx. 65g (with 2 meter lead wire), Approx. 30g (with male connector) | |

DIMENSIONS / DIMENSIONI

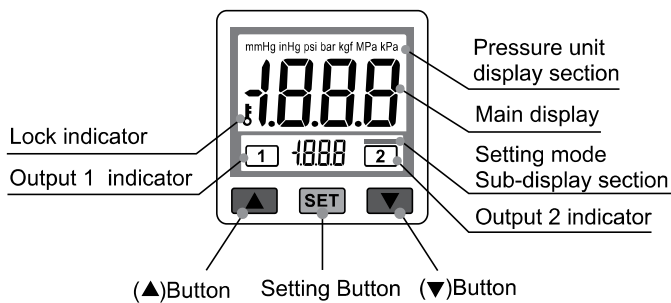


MOUNTING PROCEDURES
PROCEDURE DI MONTAGGIO



- 1. Fix the holder**
Fissare il supporto
- 2. Assembly the digital pressure switch**
Assemblare il pressostato digitale
- 3. Button the n-ring**
Introdurre la guarnizione a "n"

PANEL INSTRUCTIONS
ISTRUZIONI DEL PANNELLO



QD PINOUT
SCHEMA

