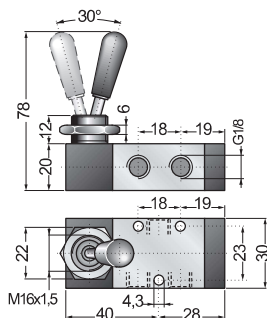


LEVER VALVES / VALVOLE COMANDO A LEVA

VALVE / VALVOLA 3/2

PORT CONNECTION G1/8 - LEVER VALVE
CONNESSIONI G1/8 - COMANDO MANUALE A LEVA

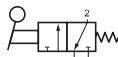
VCML32..8



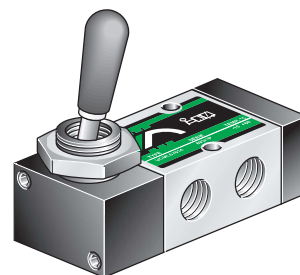
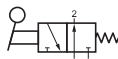
VCML32018



VCML326M8



VCML329M8

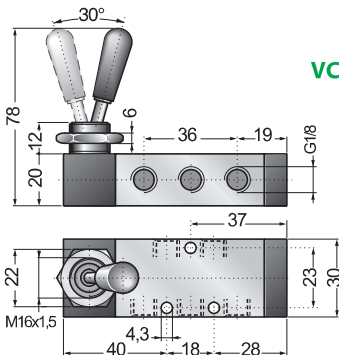
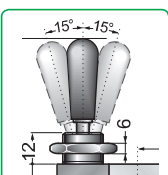


Available with rubber bellow protection
Disponibile con soffietto di protezione

VALVE / VALVOLA 5/2 - 5/3

PORT CONNECTION G1/8 - LEVER VALVE
CONNESSIONI G1/8 - COMANDO MANUALE A LEVA

VCML5 ... 8



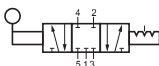
VCML52018



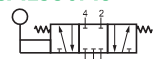
VCML52M18



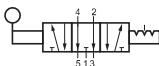
VCML53618



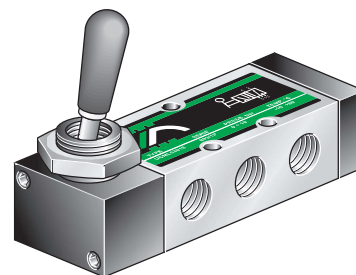
VCML536M8



VCML53918



VCML539M8

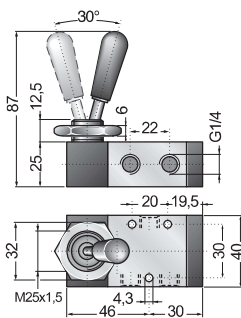


Available with rubber bellow protection
Disponibile con soffietto di protezione

VALVE / VALVOLA 3/2

PORT CONNECTION G1/4 - LEVER VALVE
CONNESSIONI G1/4 - COMANDO MANUALE A LEVA

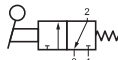
VCML32..4



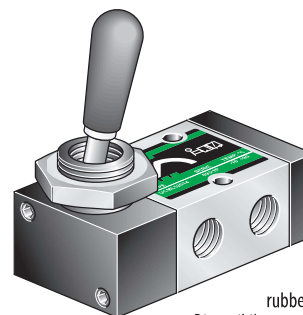
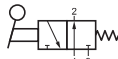
VCML32014



VCML326M4



VCML329M4

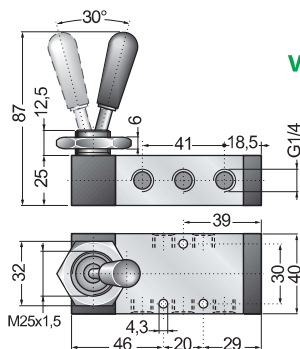
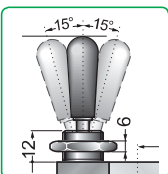


Available with
rubber bellow protection
Disponibile con soffietto di protezione

VALVE / VALVOLA 5/2 - 5/3

PORT CONNECTION G1/4 - LEVER VALVE
CONNESSIONI G1/4 - COMANDO MANUALE A LEVA

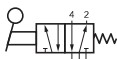
VCML5 ... 4



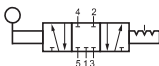
VCML52014



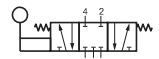
VCML52M14



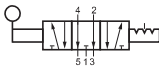
VCML53614



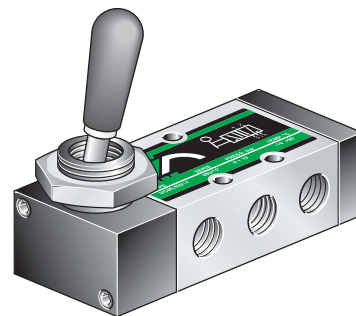
VCML536M4



VCML53914



VCML539M4



Available with rubber bellow protection
Disponibile con soffietto di protezione



BUTTON VALVES / VALVOLE COMANDO A TIRETTO

VCMT32..8

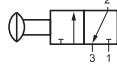
PORT CONNECTION G1/8 - BUTTON VALVE
CONNESSIONI G1/8 - COMANDO A TIRETTO

VALVE / VALVOLA 3/2

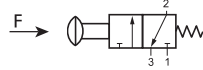


F min = 20N
F max = 40N

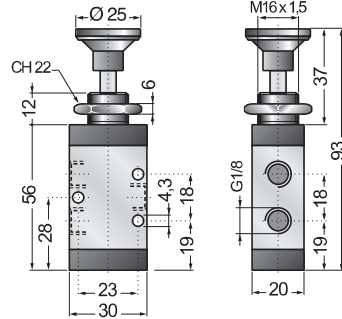
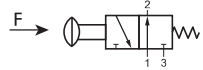
VCMT32018



VCMT326M8



VCMT329M8



VCMT52.18

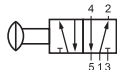
PORT CONNECTION G1/8 - BUTTON VALVE
CONNESSIONI G1/8 - COMANDO A TIRETTO

VALVE / VALVOLA 5/2

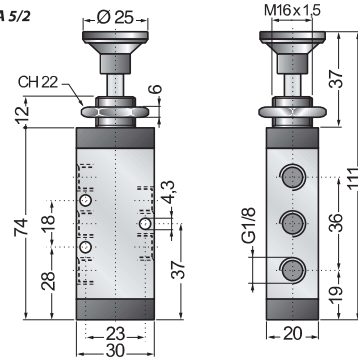
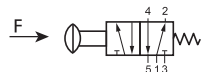


F min = 20N
F max = 40N

VCMT52018



VCMT52M18



VCMT32..4

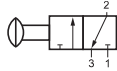
PORT CONNECTION G1/4 - BUTTON VALVE
CONNESSIONI G1/4 - COMANDO A TIRETTO

VALVE / VALVOLA 3/2

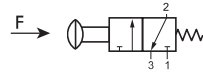


F min = 40N
F max = 60N

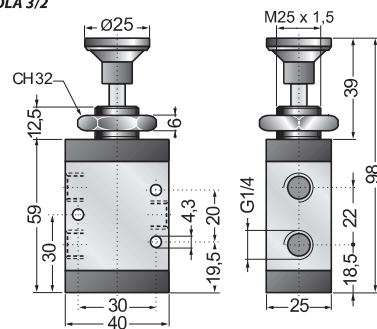
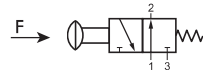
VCMT32014



VCMT326M4



VCMT329M4



VCMT52.14

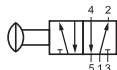
PORT CONNECTION G1/4 - BUTTON VALVE
CONNESSIONI G1/4 - COMANDO A TIRETTO

VALVE / VALVOLA 5/2

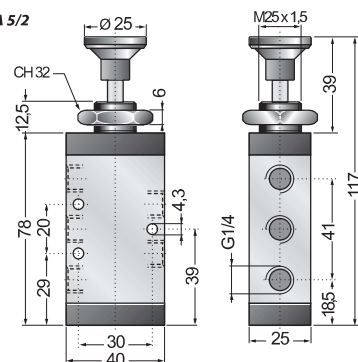
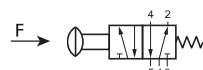


F min = 40N
F max = 60N

VCMT52014



VCMT52M14

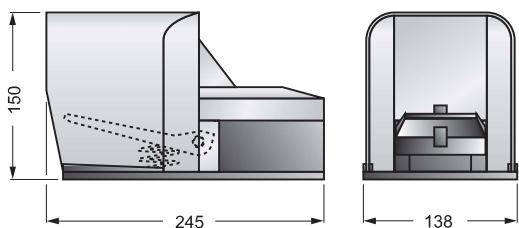


FOOT-PEDAL VALVES / VALVOLE COMANDO A PEDALE

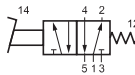
PORT CONNECTION G1/4 - FOOT-PEDAL VALVE
 CONNESSIONI G1/4 - COMANDO A PEDALE

VFPP52.4

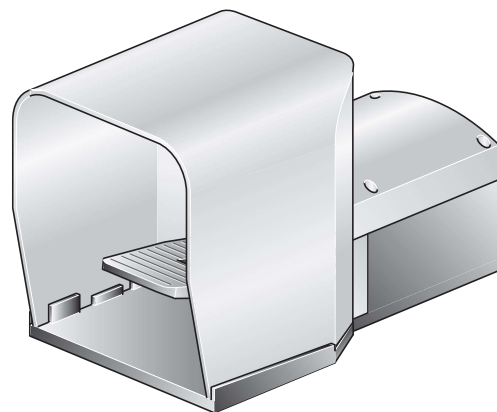
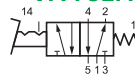
VALVE / VALVOLA 5/2



VFPP52M14



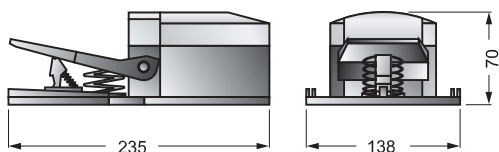
VFPP52FP4



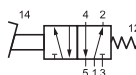
PORT CONNECTION G1/4 - FOOT-PEDAL VALVE
 CONNESSIONI G1/4 - COMANDO A PEDALE

VFP52.4

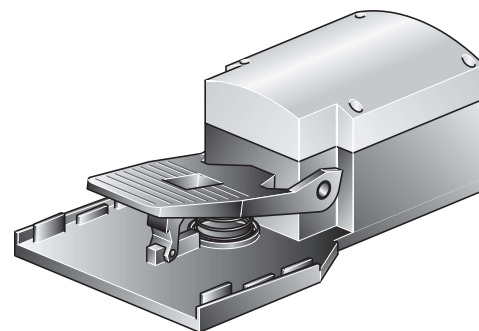
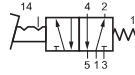
VALVE / VALVOLA 5/2



VFP52M14



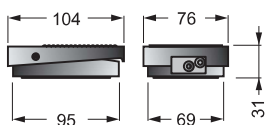
VFP52FP4



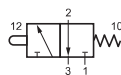
PORT CONNECTION Ø4 - FOOT-PEDAL VALVE
 CONNESSIONI Ø4 - COMANDO A PEDALE

VFPMA304

VALVE / VALVOLA 3/2



VFPMA304



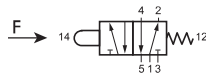


VCMS52M14

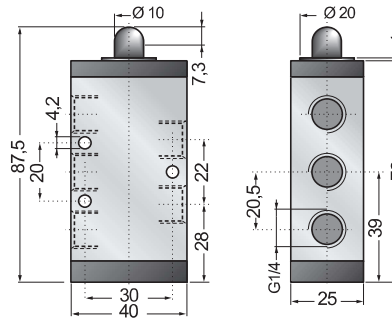
PORT CONNECTION G1/4 - CAM ACTUATED VALVE
CONNESSIONI G1/4 - COMANDO A PUNTALE



VCMS52M14



F min = 40N
F max = 60N



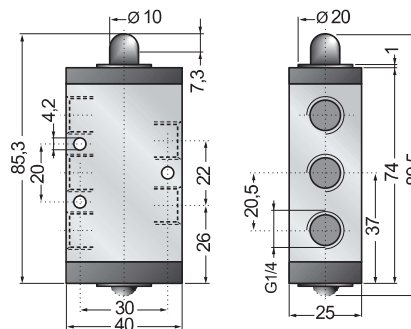
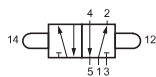
VALVE / VALVOLA 5/2

VCMS52S14

PORT CONNECTION G1/4 - CAM ACTUATED VALVE
CONNESSIONI G1/4 - COMANDO A PUNTALE



VCMS52S14



VALVE / VALVOLA 5/2

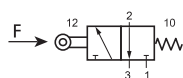
ROLLER-LEVER MECHANICAL VALVES / VALVOLE AD AZIONAMENTO MECCANICO A LEVA-RULLO

VCLR32 . M8

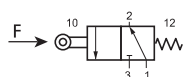
ROLLER-LEVER VALVE
VALVOLA AD AZIONAMENTO LEVA-RULLO



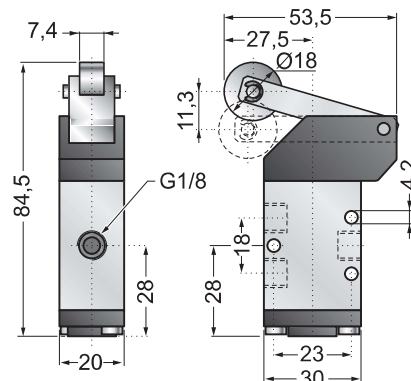
VCLR326M8



VCLR329M8



F min = 10N
F max = 20N



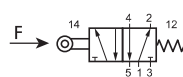
VALVE / VALVOLA 3/2

VCLR52M18

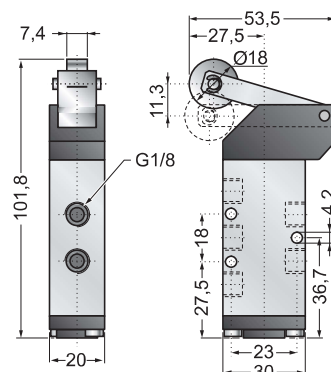
ROLLER-LEVER VALVE
VALVOLA AD AZIONAMENTO LEVA-RULLO



VCLR52M18



F min = 10N
F max = 20N

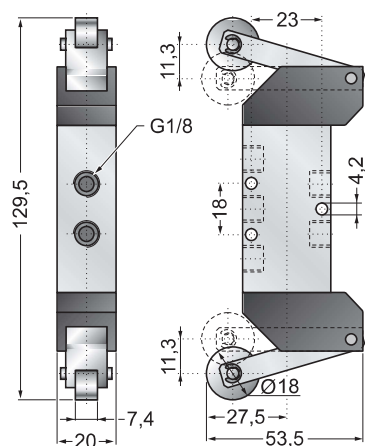


VALVE / VALVOLA 5/2

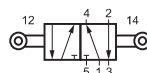
DUAL ROLLER-LEVER VALVE
VALVOLA A DOPPIO AZIONAMENTO LEVA-RULLO

VCLR52018

VALVE / VALVOLA 5/2



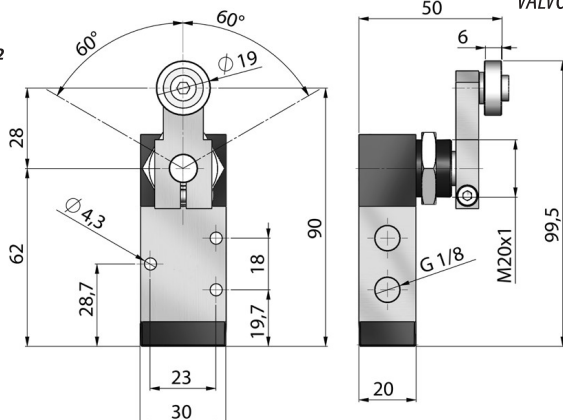
VCLR52018



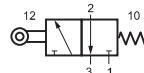
VALVE / VALVOLA 3/2

LATERAL ROLLER-LEVER VALVE
VALVOLA AD AZIONAMENTO LEVA-RULLO LATERALE

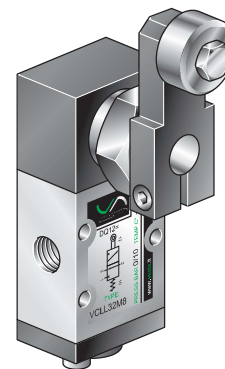
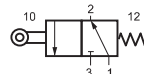
VCLL32 . M8



VCLL326M8



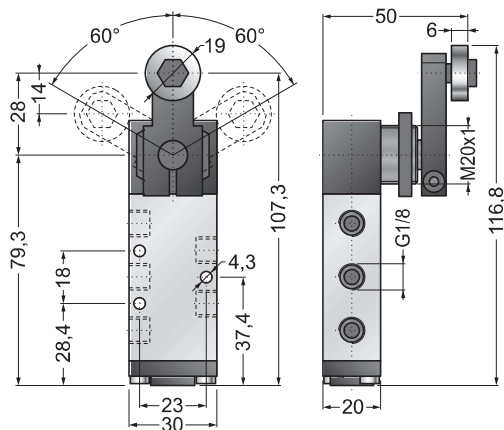
VCLL329M8



VALVE / VALVOLA 3/2

LATERAL ROLLER-LEVER VALVE
VALVOLA AD AZIONAMENTO LEVA-RULLO LATERALE

VCLL52M18



VCLL52M18

