



CE

INSTALLATION, SERVICE AND MAINTENANCE INSTRUCTIONS



***Electric part-turn actuators
UP 0, UP 1, UP 2, UP 2.4, UP 2.5***

TEST CERTIFICATE

ELECTRIC PART-TURN ACTUATOR UP 0, UP 1, UP 2, UP 2.4, UP 2.5

Type number	Power supply V Hz
Serial number	Switching-off torque	Nm
Production year	Operating time	s/90°
Wiring diagram	Operating angle.	°
.....	Transmitter	
Warranty period months	Input operating signal	
Serial number of electric motor		
Serial number of transmitter		
Serial number of position controller		
Tests made in accordance with TP 74 1049 00		
Tests made by	Packed by	
Date	Signature and stamp	

COMPLETENESS CERTIFICATE

Used valve

Assembled by: Firm

 Name.....

Warranty period months

Date Signature and stamp.....

INSTALLATION CERTIFICATE

Location

Installed by: Firm

 Name

Warranty period..... months

Date Signature and stamp.....

Please read these instructions carefully before mounting and operating the actuator!

Contents

1.	General data	2
1.1	Purpose and applications	2
1.2	Safety instructions	2
1.3	Data specified on electric actuator	3
1.4	Warranty conditions.....	3
1.5	Under-guarantee and after-guarantee service	3
1.6	Operation conditions	4
1.7	Packing, transport, storing and unpacking	5
1.8	Assessment of the product and packaging and removal of contamination.....	6
2.	Description, function and specifications	7
2.1	Description and function.....	7
2.2	Basic specifications	10
3.	Installation and dismantling of actuator	18
3.1	Installation	18
3.2	Dismantling.....	21
4.	Adjustment.....	22
4.1	Adjustment of the torque unit	22
4.2	Adjustment of position-signalling unit.....	23
4.3	Adjustment of resistant transmitter (Fig.4)	26
4.4	Adjustment of the Electronic Position Transmitter (EPV) - the Resistive Transmitter (Potentiometer) with the Converter PTK 1	27
4.5	Adjustment of Capacitive Transmitter CPT1/A (Fig.7)	28
4.6	Adjustment of position controller (Fig. 13).....	30
4.7	Adjustment of the DCPT3M transmitter	32
4.8	Adjustment of the operating angle position and adjustment of stop screws (Fig.10-14)	33
5.	Service and Maintenance	37
5.1	Service.....	37
5.2	Maintenance - extent and periodicity	37
5.3	Troubleshooting.....	38
6.	Accessories and Spare Parts	38
6.1	List of the Spare Parts.....	39
7.	Enclosures	40
7.1	Wiring diagrams UP 1, UP 2, UP 2.4, UP 2.5	40
7.2	Wiring diagrams electric actuator UP1, UP 2, UP 2.4, UP 2.5 with controller	43
7.3	Operation Logic Diagram of switches and relays.....	44
7.4	Dimensional drawings	45
7.5	Guarantee service check report	55
7.6	Post guarantee service check report.....	56
7.7	Commercial representation	57

The Installation, Service and Maintenance Instructions are drawn up according to requirements of EC Executive Nr. 89/392/EEC "Uniform requirements for machines and devices from the point of view of safety and health care", to save life and health of users and to avoid material damages and exposure environment to danger.

1. General data

1.1 Purpose and applications

Electric part-turn actuators (hereinafter **EA**) types **UP 0, UP 1, UP 2, UP 2.4, UP 2.5** (hereinafter **UP X.X**) are high-powered electric-mechanical products, designed for direct installations onto controlled devices (regulating bodies -valves, etc.). EA of **UP X.X** types are provided for remote control of closing bodies, and EA with controller for automotive control of regulating bodies in both directions of their movement. They can be equipped with means of measuring and control of technological processes where an unified analogue direct current or voltage signal is an information bearer on their input and/or output. They can be used in heating, energy, gas, air-conditioning and other technological systems, which they are suitable for, regarding their features. They are connected with controlled devices with a flange according to ISO 5211 and a coupling or using a stand and a coupling/a lever.



1. **It is forbidden to use EA as a lifting mechanism!**
2. **Switching of actuator by a semiconductor switches have to be consulted with producer.**

1.2 Safety instructions

Product characteristics from risk point of view



EA are reserved technical devices with higher rate of danger (group A), with possibility of installation in areas specially danger regarding casualties caused by electric current.

Electric actuators are according to directive LVD 2014/35/EU and standard EN 61010-1 within valid edition assigned for installation category II (overvoltage category), pollution degree 2.

The product meets the essential safety requirements according to EN 60204-1 and is in compliance with EN 55011/A1 within valid edition.

Product influence to environment

Electromagnetic compatibility (EMC): the product complies with the requirements of the Directive 2014/30/EU of the European Parliament and of the Council on the approximation of the laws the Member States relating to the electromagnetic compatibility and with the requirements of standards as well EN/IEC 61000-3-3 and EN/IEC61000-3-2 within valid edition.

Vibrations caused by the product: product influence is negligible.

Noise produced by the product: The maximum allowable noise level (A) of the product measured in a place of operation is 78 dB (A).

Requirements for specialized skills of persons performing assembly, operation and maintenance



Electric connection can be performed only by an acquainted person, i.e. an electrical engineer with professional education of electrical engineering at an apprentice school or a technical school (secondary, complete secondary or university education) and whose qualification was verified by an educational facility authorised to verify professional qualification.

Instructions for stuff training



Service can be performed only by workers professionally qualified and trained by the producer or contracted service centre!

Warning for safety use

Product protection

EA **UP X.X** have own short-circuit protection, therefore there must be included suitable protective device into the supply power (circuit breaker, or fuse), which serves at the same time as main switch.

Type of equipment from a connection point of view: The equipment is designed for permanent connection.

1.3 Data specified on electric actuator

Nameplate for UP 0

REGADA Made in Slovakia		CE	IP		
○	TYP		N ^o		○
	N.m	s/90°		V	A

Warning plate:



Nameplate for UP 1, UP 2, UP 2.4 and UP 2.5

REGADA		TYP		N ^o	
⊕		↔	N.m	s/90°	IP ⊕
CE	Made in Slovakia	↔		V	A

Nameplate contains the basic data concerning identification, performance and electricity: indication of producer, type, serial number, max. load torque and switching-off torque, operating time, protection code, operating angle, supply voltage and current.

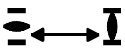
Graphic symbols on electric actuator

The graphic symbols used on electric actuator substitute the text messages. Some of them are in accordance with EN ISO 7010, ISO 7000 and IEC 60417.



Dangerous voltage

(EN ISO 7010-W012)



Stroke of the electric actuator



Switching-off torque



Manual control

(0096 ISO 7000)



Protection terminal

(5019 IEC 60417)

1.4 Warranty conditions

The supplier is responsible for completeness of the delivery and guarantees these specifications of the product which are stated in the Contract.

The supplier is not responsible for any deterioration of parameters caused by the customer during storage, unauthorised installation or improper operation.

1.5 Under-guarantee and after-guarantee service

Our customers are provided with professional service of our firm in installation, operation, service, maintenance, revision and help in troubleshooting for all our products.

Under-guarantee service is performed by the service department of the production plant, or by a contracted service centre according to a written claim.

In case of occurring of any fault please let us know it and state:

- type code
- serial number
- ambient parameters (temperature, humidity...)
- duty cycle including frequency of switching
- type of switching-off (position or torque)
- set switching-off torque
- type of fault - description of claimed fault
- it is recommended to place also Installation certificate.

It is recommended to have **after-guarantee service** performed by the service department of the production plant, or by a contracted service centre, with national laws.

1.5.1 Lifetime of actuators

The lifetime of an electric actuator (EA) is at least 6 years.

EA used for closing mode (closing valves) comply with the requirements for at least **15,000 working cycles** (cycle C – O – C: for part-turn EA)

EA used for regulating/modulating operation (control valves) comply with the below stated numbers of **operating hours** at the total number of 1 million start-ups:

Switching frequency				
max. 1,200 [h ⁻¹]	1,000 [h ⁻¹]	500 [h ⁻¹]	250 [h ⁻¹]	125 [h ⁻¹]
Minimal lifetime expectancy – number of operating hours				
850	1,000	2,000	4,000	8,000

Time of **net operation** is min. 200 hours, max. 2,000 hours.

Lifetime at operating hours depends on loading and switching frequency.

Note : High switching frequency does not ensure better regulation. Setting of regulation parameters should be therefore made with the inevitably necessary switching frequency needed for the process in question.

1.6 Operation conditions

1.6.1 Product location and operation position

EA may be installed and operated in enclosed locations of industrial facilities with no temperature and moisture regulation, protected from direct climatic effects (such as direct sunlight). Moreover, special "marine" versions may be used in waste water treatment applications, water management, selected chemical applications, tropical environments and coastal areas.

Warning:



When the EA is installed in open air, **it must be** sheltered lightly to protect is against direct effects of atmosphere.

When installed in the areas with relative humidity more than 80%, in open air under a shelter is needed to connect the space heater directly – without a thermal switch.

Installation and operation of EA is possible in **any position**. Vertical position of output part axis and with the control part above the valve is usual.

1.6.2 Working environment

According to valid standard IEC 60 721-2-1, there are delivered these versions of electric actuators:

- 1) Version „**standard**“ for type climate temperate
- 2) Version „**tropical wet**“ for type climate tropical wet
- 3) Version „**cold**“ - for type climate cold
- 4) Version „**tropical dry and dry**“ for type climate tropical dry and dry
- 5) Version „**marine**“ for type climate marine
- 6) Version „**arctic**“ for type climate arctic.

In accordance with IEC 60 364-1, IEC 60 364-5-51 and IEC 60 364-5-55 within valid edition the EA have to resist external effects and operate reliably:

In the conditions of the following types of environment:

- warm mild to very hot dry with temperatures -25°C to +55°C AA 7*
- cold, warm mild to hot dry with temperatures -50°C to +40°C..... AA 8*
- cold, hot dry to slightly hot dry with temperatures -50°C to +55°C..... AA 8*+AA 7*
- cold to mild hot dry with temperatures in range -60°C až +40°C.....AA 1*+AA 5*
- with relative humidity 10÷100%, including condensation with maximum content 0,029kg of water in 1kg of dry air , with temperatures stated above..... AB 7*
- with relative humidity 15÷100%, including condensation with maximum content 0,036kg of water in 1kg of dry air , with temperatures stated above AB 8*
- with relative humidity 10÷100%, including condensation with maximum content 0,036 kg of water in 1kg of dry air, with temperatures stated above AB 8*+AB 7*

- with relative humidity 5 to 100 %, including the condensation of up to 0,025 kg water content per 1 kg of dry, at above stated temperatureAB 1*+AB 5*
- with elevation up to 2000 m, with barometric pressure range from 86 kPa up to 108 kPa AC 1*
- with exposure to intensive water jets (IPx6)..... AD 6*
- with shallow immersion – (protection enclosure IP x 7) AD 7*
- with strong dustiness – with a possibility of influences of inflammable, non-conducted and non-explosive dust; the middle layer of dust; the dust drop more than 350 but not more than 1000 mg/m² per day (products with protection enclosure of IP 6x) AE 6*
- with atmospheric occurrence of corrosive and pollution media (with high degree of atmosphere corrosive aggressiveness); important presence of corrosive pollution AF 2*
- with permanent exposure of big amount of corroding or contaminated chemical and salt fog in execution for sea environment, fog sewage water disposal plant and some chemical plant AF 4*
- with a possibility of influences of mechanical stress:
 - medium sinusoid vibrations with frequency in range from 10 up to 150 Hz, with shift amplitude of 0,15 mm for $f < f_p$ and acceleration amplitude 19,6 m/s² for $f > f_p$ (transition frequency f_p is from 57 up to 62Hz) AH 2*
 - medium impacts, shocks and vibrations AG 2*
- with serious danger of plants and mould growing..... AK 2*
- with serious danger of animal occurrence (insects, birds, small animals).....AL 2*
- with detrimental influence of radiation:
 - of stray current with intensity of magnetic field (direct or alternate, of mains frequency) up to 400A.m⁻¹ AM 2-2*
 - of sun radiation with intensity > 500 and ≤ 700 W/m² AN 2*
- with effects of medium seismic activity with acceleration > 300 Gal ≤ 600 Gal AP 3*
- with direct endanger by stormAQ 2*
- with quick air movement and strong wind AR 3 , AS 3*
- stand on a conductive bottom) BC 3*
- without any danger media with object BE 1*

* Marking in accordance with IEC 60364-1, IEC 60 364-5-51 and IEC 60 364-5-55 within valid edition

1.6.3 Power supply and duty cycle

Power supply:

electric motor.....24 V AC/DC; 120 V AC, 230 resp. 220 V AC; 3x400 resp. 3x380 resp. 3x415 V AC resp. 120 V AC $\pm 10\%$.,

control.....24 V AC resp. 220-240 V AC $\pm 10\%$

Power supply frequency..... 50 Hz, or 60**Hz $\pm 2\%$

** Operating time will increase 1,2 times, and torque will decrease 1,2 times

Duty cycle - according to EN/IEC 60034-1, 8:

EA UP X.X are designed for **remote control**:

- short-time operation S2-10 min
- intermitted operation S4-25%, max. 90 cycles per hour

EA with controller are designed for **automatic** regulation:

- intermitted operation S4-25%, 90 up to 1200 cycles per hour

Note:

1. Duty cycle consist of load type, load factor and switching rate.
2. Once EA is connected to the external controller unit, also use it as a control EA where the max. load torque reaches the 0.7 multiple of the maximum loading torque for remote operated EA UP X.X with remote control.

1.7 Packing, transport, storing and unpacking

Surfaces without surface treatment are treated by conservation preparation MOGUL LV 2-3 before packaging .

Conservation is not necessary if the following storage conditions are complied with:

- Storage temperature: -10 to +50 °C
- Relative air humidity max.80 %

- Electric actuators and their accessories must be stored in dry, well ventilated covered spaces, protected against impurities, dust, soil humidity (by placement to racks, or on pallets), chemicals and foreign interventions
- There shall be no corrosive gases present in the storage areas.

The of **UP X.X** are delivered in solid packages guaranteeing resistance in accordance with EN/IEC 60 654. Package is a box. Products in boxes is possible to load on the pallets (pallet is returnable). On the outer side of the package is stated:

- manufacturer label,
- name and type of product,
- number of pieces,
- other data – notices and stickers.

The forwarder is obliged to secure packed products, loaded on transportation means, against self-motion; if open transportation means are used, to secure their protection against atmospheric precipitations and splashing water. Displacement and securing of products in transportation means must provide their stable position, exclude the possibility of their inter-collision and their collision with the vehicle walls.

Transportation can be executed by heatless and non hermetic spaces of transportation vehicles with influences within the range:

- temperature: -25°C up to +70°C (a strange version -50 ° C up to +45 ° C)
- humidity: 5 up to 100 %, with max. water content 0,029 kg/kg of dry air
- barometric pressure 86 up to 108 kPa

After receiving EA check whether during transport or storage the actuator was not damaged. Compare also whether the parameters on their nameplates are in accordance with accompanying documentation or the Contract. If any discrepancy or fault occur inform immediately your supplier.

If the actuators and accessories are not immediately installed, they have to be stored in dry, well-ventilated sheltered rooms, protected against dirt, dust, soil humidity (with placing onto shelves or onto pallets), chemical impacts and encroachment, at ambient temperature from -10°C up to +50 °C and relative humidity max. 80 %, in special version at temperature -50°C do +40°C.

- It is forbidden to store EA outside or in areas not prevented against direct impact of climate.
- Strains of the surface finishing should be promptly removed if any – it can prevent the product against corrosion damages.
- While storing more than one year it is necessary to check lubrication filling before the actuator is put into operation.
- The EA installed but not operated are to be protected the same way as when storing (e.g. with a wrapping).
- After it is mounted onto a valve in free and wet areas or in areas where temperature is changing it is necessary to connect the space heater – to prevent the actuator against corrosion resulted from water condensed in the control part.
- Remove odd conservation grease as late as before putting into operation.

1.8 Assessment of the product and packaging and removal of contamination

The product and its package are made of recycling materials. Do not throw the single parts of the package and of the product after their life but sort them according to instructions in corresponding executives or regulations of environment protection, and allow their recycling.

The product and its packing are not a source of any environment pollution or contamination and do not contain any dangerous waste.

2. Description, function and specifications

2.1 Description and function

EA UP X.X are of compact construction. They are composed of two functionally different main parts.

The **gear part** is made up by a flange with a connecting part resp. linear mechanism for connection onto a controlled device, and gears placed in the bottom; on the other side drive mechanisms for control part units are surfaced.

The **control part (Fig. 1, 1a, 1b, 1c)** is placed on a control board (1) consisting of:

- electric motor (2) (at single-phase version with capacitor)
- torque unit (5) (controlled with a worm axial shift)
- position-signaling unit (3) with a position transmitter (6) - resistive, capacitive or electronic position transmitter (7) and with a mechanical local position indicator (4)
- space heater (8) with thermal switch
- electronic module (9)
- electrical connection through terminals (10), located in the control area and cable glands resp. connector with cable glands

Additional accessories:

Manual control: made up by a hand wheel with a worm gearing.

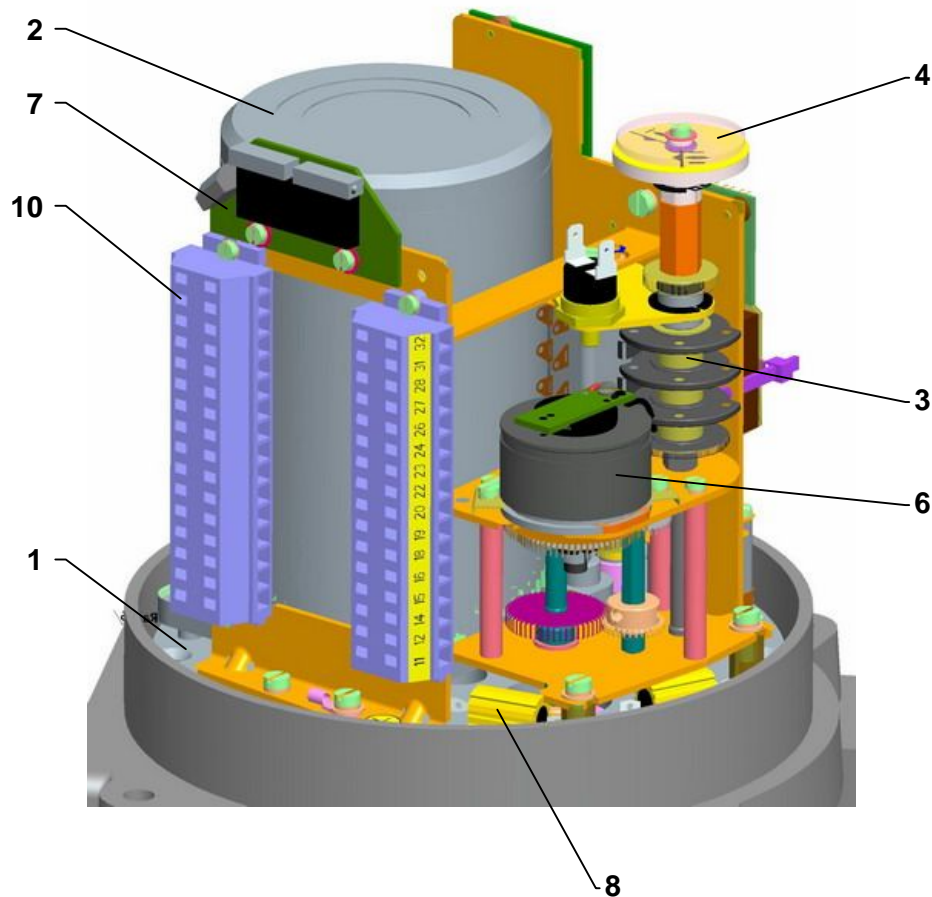


Fig.1

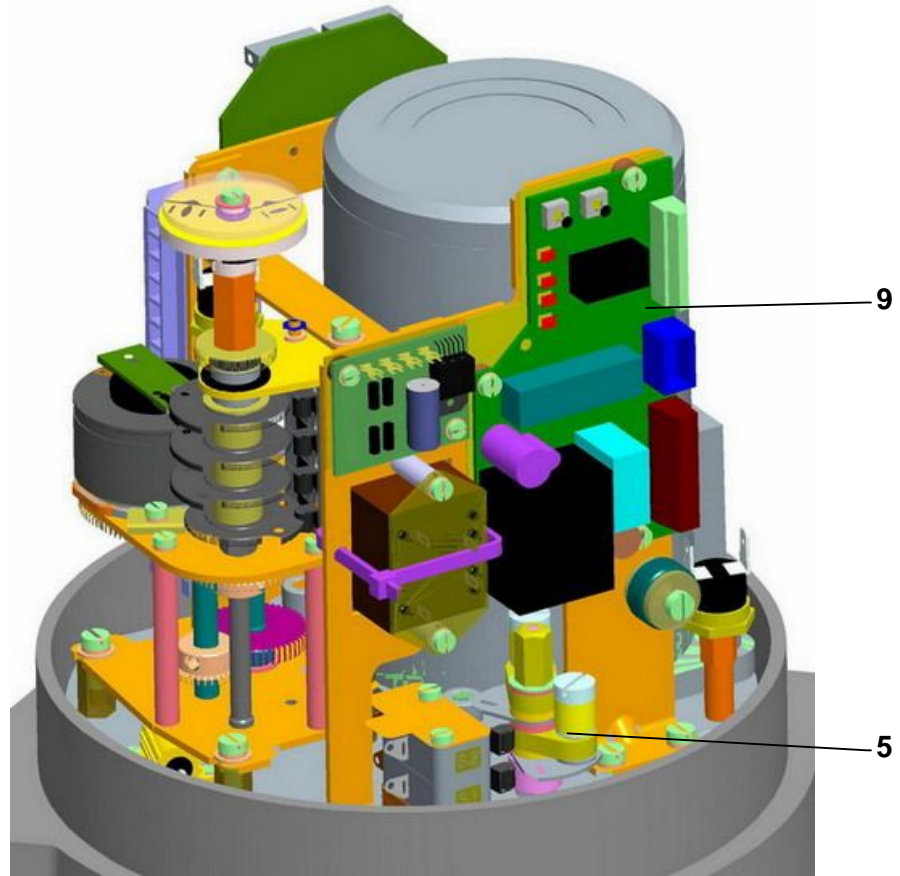
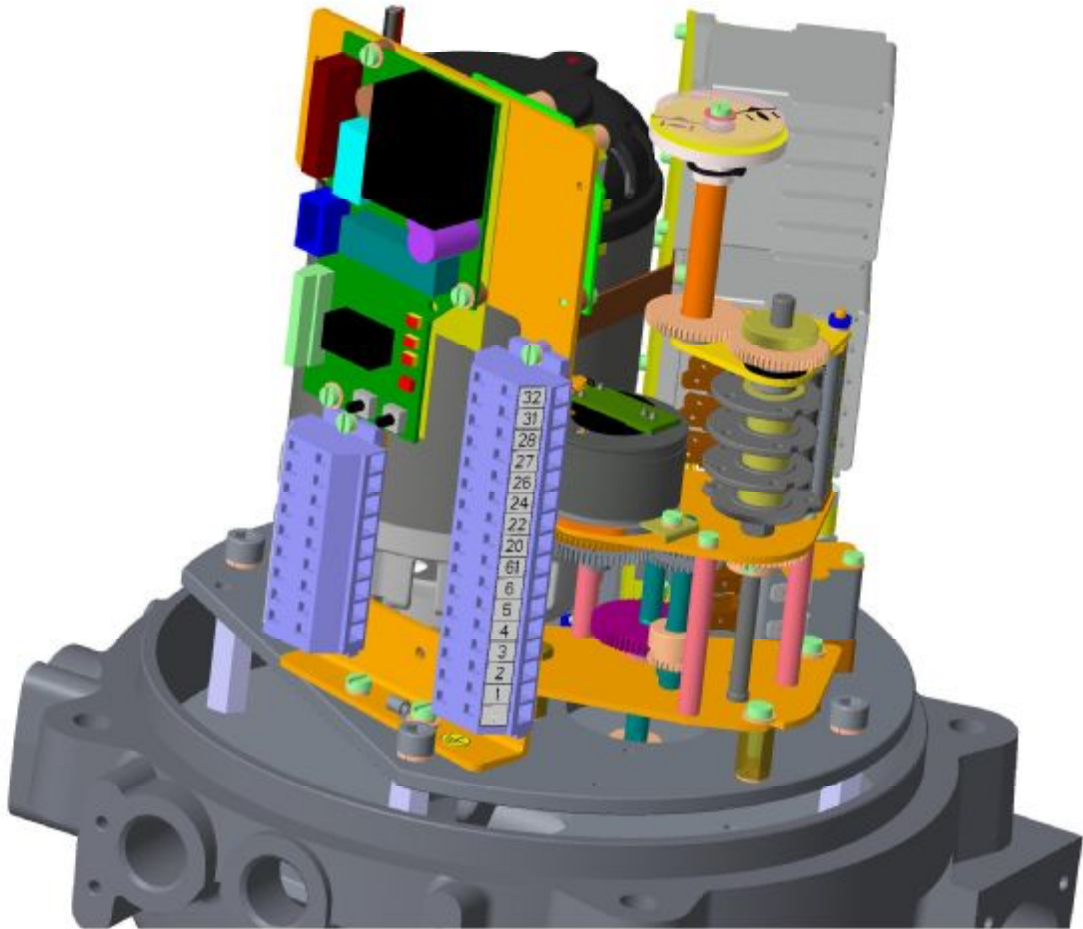


Fig.1a



Fig.1b



**Fig. 1c – UP 2.5
with controller**

2.2 Basic specifications

Basic EA specifications are given in Table 1.

Type/ Type number	Operating speed ²⁾	Operating angle	Max. load torque	Switching -off torque ±10 [%]	Weight	Electric motor ¹⁾							
						Power supply voltage	Nominal		Current		Capacitor capacity		
							power	speed	nominal	starting ±20 %			
	[s/90°]	[°]	[Nm]	[Nm]	[kg]	[V]	[W]	[1/min]	[A]	[μF/V AC]			
	50Hz 60Hz												
UP 0 type number 340	5	60, 90, 120, 160, 360	6,5	7,5	5-6	230 (220) resp. 24	13,8	375	0,135 resp. 1,35	0,13 resp. 1,43	0,82/500 resp. 82/63		
	10		13	15									
	20		26	30									
	40		47	55									
	60		54	63									
	80		54	63									
	5 4		6,5	7,5									
	10 8		13	15									
	20 17		26	30									
	40 34		47	55									
60 50	54	63											
80 66	54	63											
80						115 60Hz	13,8	14,2	375	450	0,27	0,3	3,3/250
UP 1 type number 341	5	60, 90, 120, 160, 360	38	22 - 45	14-15	230 (220)	40	1300 (1250)	0,53	1	5/400		
	10		76	45 - 90									
	20		85	50 - 100									
	40		85	50 - 100									
	80		85	50 - 100									
	5 4		38	22 - 45									
	10 8		76	45 - 90									
	20 17		85	50 - 100									
	40 34		85	50 - 100									
	80 66		85	50 - 100									
	5		38	22 - 45									
	10		76	45 - 90									
	20		85	50 - 100									
	40		85	50 - 100									
80	85	50 - 100											
5	42	25 - 50											
10	85	50 - 100											
20	85	50 - 100											
40	85	50 - 100											
80	85	50 - 100											
						24 AC/DC	53	2600	3,1	-	-		
						3x400 (3x380) resp. 3x415	40	1300	0,21	0,4	-		

Type/ Type number	Operating speed ²⁾	Operating angle	Max. load torque	Switchin g-off torque ±10 [%]	Weight	Electric motor ¹⁾																		
						Power supply voltage	Nominal		Current		Capacitor capacity													
							power	speed	nominal	starting ±20 %														
	[s/90°]	[°]	[Nm]	[Nm]	[kg]	[V]	[W]	[1/min]	[A]	[µF/V AC]														
	50Hz 60Hz																							
UP 2 type number 342	5	60, 90, 120, 160, 360	102	75 - 120	20-24	Single-phase	230 (220)	120	2600	1,0	1,9	8/450												
	10		144	105 - 170				60	2750	0,7	1,35	7/400												
	20		255	180 - 300				20	1350	0,39	0,7	7/400/5/250												
	40							120 60Hz	120	3100	2,0	3,8	8/450											
	80		70	3380			1,1		2	16/250														
	5 4		102	75 - 120			25		1680	0,71	1,35	20/300												
	10 8		144	105 - 170			Single-phase/ Direct current		24 AC/DC	100	3350	4,9												
	20 17		255	180 - 300				Three-phase								3x400 (3x380) resp. 3x415	180	2650	0,6	2,4				
	40 34					153																110 - 180	90	2740
	80 66		212	150 - 250													255	180 - 300						
	UP 2.4 type number 343		20	60, 90, 120, 160, 360		250	300		50-51	Single-phase	230 (220)	120	2600	1,0	1,9		8/450							
			40			420	500	60				2750	0,7	1,35	7/400									
			80			680	800	120 60Hz				120	3100	2,0	3,8	8/450								
			160									70	3380	0,71	2	16/250								
			20 17			250	300				Single-phase/ Direct current	24 AC/DC	100	3350	4,9									
			40 34																420	500	Three- phase	3x400 (3x380) resp. 3x415	180	2650
80 66		680	800		90	2740	0,35	1,3																
160 128																			250	300			420	500
UP 2.5 type number 344		20	60, 90, 120, 160, 360		340	400	50-51	Single-phase		230 (220)	120	2600	1,0	1,9	8/450									
		40			500	600					60	2750	0,7	1,35	7/400									
		80			1000	1200					120 60Hz	120	3100	2,0	3,8	8/450								
		160										70	3380	0,71	2	16/250								
		20 17			340	400				Single-phase/ Direct current		24 AC/DC	100	3350	4,9									
		40 34																	500	600	Three- phase	3x400 (3x380) resp. 3x415	180	2650
		80 66			1000	1200					90													
		160 128																	340	400			500	600
	20	340		400	500	600		1000	1200															
	40	340		400	500	600		1000	1200															
	80	340		400	500	600		1000	1200															
	160	340		400	500	600		1000	1200															

- 1) Switching elements for different type of load (also for EA) defines standard EN/IEC 60 947-4-1.
- 2) Anomaly of operating time: $\pm 10\%$ at 230 V resp. 220 V AC, 3x400 resp. 3x380V resp. 3x415 V AC.

Additional technical data:

EA protection enclosure: IP 66/IP 68 (EN/IEC 60529)

According to definition for EA, enclosure IP68 fulfills following requirements:

- water column max. 10m
- time of continuous submersion in water max. 96 hours.

Mechanical ruggedness:

sinusoidal vibrations: with frequency in range 10 to 150 Hz,
with shift amplitude of 0,15 mm for $f < f_p$,
with acceleration amplitude of $19,6 \text{ m/s}^2$ for $f > f_p$,
(transition frequency $f_p = 57$ to 62 Hz)

drop resistance:300 drops with acceleration 2 m.s^{-2}

seismic resistance:amplitude of the shock off 6 on Richter scale

Self-locking: the EA is self-locked

Electric motor protection: with thermal switch, except UP 0

EA braking: by roller bief

Output part backlash: max. $1,5^\circ$ at load of 5%-of maximum torque

Electric control:

- remote control (the output element of the EA is controlled with supply voltage), resp. by feeding of unified signal

Adjustment of the limit positions:

The limit position switches are set to the number of work turns with accuracy of $\pm 3\%$ of the stroke specified in the EA nameplate.

Additional position relays (S5,S6) are adjustment 10° beneath the limit switches

Hysteresis of position switches max. 2,5% from operating angle on nameplate

Adjustment of the torque switches:

If other adjustment not specified the switching torque is set to the maximum value with tolerance of $\pm 10\%$.



Readjustment of EA's UP 0 switching-off torque is not possible to do at customer's house!

Switches (S1,S2,S3,S4,S5,S6)

UP 0:

Type **DB 6** - equipped with the silver contacts – standard version
250 V AC; 20mA - 2 A; $\cos\varphi = 0.6$;
24 V and 48 V DC; 20mA -1A; $T=L/R=3\text{ms}$;
minimum switch-off voltage: 20 V; switch – over time: max. 20 ms
insulation resistance: 50 M Ω

Type **DB 3**- gold-plated contacts (valid for switches S5, S6, resp. after agreement for switches S3, S4, too)
max. 250 V AC; 1mA - 0,1 (0,05)A;
24 V and 48 V DC, 1mA - 0,1 A ; $T=L/R=3\text{ms}$

UP 1, UP 2, UP .4, UP 2.5:

Type **D 38:** **silver contacts** – standard version
voltage 250 V(AC); 50/60 Hz; 16(4) A; $\cos\varphi=0,6$ resp.: 24 V(DC); $T=L/R=3\text{ms}$; min. current 100mA

Type **D 41:** **gold-plated contacts (is not valid for switches S1, S2 in the version with reverse contactors)**
voltage 0,1 (0,05) A, max. 250 VAC; 0,1 / 24 VDC; $T=L/R=3\text{ms}$; min. current 5mA

Relay thrust of switch S1, resp. S2 (ReS11, ReS12):

Model RT 424

- 250 V AC, 8 A; 24 VDC, 8 A; max. switching-on power AC 2000 VA.

Space heater (E1)

Space heater - supply voltage: corresponding with motor supply voltage (24, max. 250 V AC)

UP 0:

Heating power cca 10 W/55 °C

Switching resistor with thermal switch

UP 1:

Heating power for range temperature from -50 °C: cca 20 W/55 °C
 Switching resistorthermal switch

UP 2, UP 2.4, UP 2.5:

Heating power for range temperature from -50 °C: cca 40 W/55 °C
 Switching resistorthermal switch

Thermal switch of space heater (F2)

Supply voltage: corresponding with motor supply voltage (max. 250V AC, 5 A)
 Switching-off temperature:..... +30°C ± 4K
 Switching-on temperature:..... +20°C ± 3K

Manual control:

By handwheel after unscrewing the locking screw (except UP 0). Rotate the handwheel clockwise to move the output shaft in the direction „Z“(except UP 0)..

Position transmitters**Resistive position transmitter RP 19:**

Resistance (single **B1**) 100; 2 000 Ω
 (double **B2**) 2x100 Ω, 2x2000 Ω
 Operating life of transmitter 1.10⁶ cycles
 Load capacity 0,5 W do 40 °C, (0 W/125°C)
 Maximum current of sliding contact max.35 mA
 Maximum supply voltage..... $\sqrt{P \times R}$ V DC/AC
 Potentiometer linearity error ±2,5 [%]¹⁾
 Potentiometer hysteresis max. 2,5 [%]¹⁾
 Potentiometer values at limit positions: “O” (open)..... ≥ 93%, “Z” (closed)..... ≤ 5%

Resistive position transmitter PL 240:

Resistance (single **B1**) 5 kΩ ± 20%
 Operating life of transmitter 1.10⁶ cycles
 Maximum current of sliding contact max.10mA
 Maximum supply voltage 18 V
 Potentiometer linearity error ±2,5 [%]¹⁾
 Potentiometer hysteresis max. 2,5 [%]¹⁾
 Potentiometer values at limit positions
 “O” (open)..... ≥ 93%, “Z” (closed)..... ≤ 5% from the real value of the resistance

Capacitive (B3a): non-contact, life 10⁸ cycles

2-wire connection with built-in power supply or without built-in power supply

The current signal **4** , **20 mA** (DC) is acquired from the capacitive transmitter supplied from the internal or an external voltage supply source. The electronics of the transmitter is protected against eventual wrong polarity and current overloading. The entire transmitter is galvanic insulated so several transmitters can be connected to one external voltage source.

Power supply voltage (with power supply) 24 V DC
 Power supply voltage (without power supply) 18 to 28 V DC
 Ripple voltage max. 5%
 Max power input 0,6 W
 Load resistance 0 to 500 Ω
 Load resistance can be single side grounded.
 Influence of resistance on output current 0,02%/100 Ω
 Influence of voltage on output current 0,02%/1V
 Temperature dependency 0.5% / 10 °C
 Output signal values at limit positions:

“O” 20 mA (terminals 81; 82)

“Z” 4 mA (terminals 81; 82)

Values tolerance of output signal of EPV

“Z” +0,2 mA

“O” ±0,1 mA

DCPT3M – current transmitter (B3b)

- **2-wire connection** without built-in power supply or with built-in power supply

Current signal	4 ÷ 20 mA (DC) with optional mirroring (20 ÷ 4 mA)
Mode of operation	contactless, magnetic resistance
Transmitter increments without gears	0.352 °
Loading resistor:	0 through 500 Ω
Operating stroke	35 to 100% of the rated stroke at the gear ratio
Non-linearity	max. ±1 %
Non-linearity - geared	max. ±2.5 %
Power supply voltage for version without power source	15 through 28 V DC
Power supply voltage for version with built-in power source	24 V DC
Max. voltage deviation	±5%
Operating temperature	-25 to +70°C
Linearity deviation:	±2.5 % ¹⁾
Hysteresis	max. 2.5 % ¹⁾
Error messages	by flashing LED

Electronic positional transmitter (EPV) - controller R/I (B3)

2-wire version, resp. 3-wire (without built-in power supply, or with built-in power supply)

Output signal for 2-wire version	4 ÷ 20 mA (DC)
Output signal for 3-wire version	0 ÷ 5 mA (DC)
.....	0 ÷ 20 mA (DC)
.....	4 ÷ 20 mA (DC)
.....	0 ÷ 10 V (DC) – only for UP 0
Power supply voltage for 2-wire version without built-in power supply	15 to 30 V DC
Power supply voltage for 2-wire version with built-in power supply	24 V DC ± 1,5%
Load resistance for 2-wire version	max. $R_L = (U_n - 9V) / 0,02A$ [Ω] (U_n – voltage [V])
Power supply voltage for 3-wire version	24 V DC ±20 % (for UP 0), ±1,5 % (for UP1,2)
Load resistance for 3-wire version for UP 1,2	max. 3 kΩ
Load resistance for 3-wire version 0-5mA for UP 0	max. 3 kΩ
Load resistance for 3-wire version 0-20mA for UP 0	max. 750 Ω
Load resistance for 3-wire version 0-10 V for UP 0	max. 10 kΩ
Temperature dependency	max. 0,020 mA / 10 °C
Output signal values at limit positions on the terminal 81,82	„O“..... 20 mA (5 mA, 10 V)
.....	„Z“..... 0 mA (4 mA, 0 V)
Values tolerance of output signal	„Z“ +1,5 % ¹⁾
.....	„O“ ±1,5 % ¹⁾
Linearity deviation	±2,5 % ¹⁾
Hysteresis	max. 2,5 % ¹⁾

1) from rated value of transmitter referred to output values

Electronic position controller (N) „REGADA“ (Valid for the EA MO version with controller only)**Controller software equipment:****A) Function and parameters**

programmable **functions:**

- with functional buttons SW1, SW2 and LED diodes D3, D4 directly placed on controller
- with computer or terminal equipped with corresponding programme, using RS 232 interface.

programmable **parameters:**

- control signal
- response to SYS-TEST signal
- mirroring (ascending/descending characteristics)
- insensitiveness
- EA limit positions (only with computer and ZP2 programme)
- way of regulation

B) Operation states of controller

Error message from error memory: (using LED diodes and RS 232 and personal computer)

- control signal missing or faulty
- input value of current control signal under 3.5 mA
- existence of SYS-TEST signal
- activity of switches
- failure of feedback position transmitter

Statistic data: (using RS 232 and personal computer)

- number of controller operation hours
- frequency of relay switching in direction "opening"
- frequency of relay switching in direction "closing"

Supply voltage: terminal 61 (L1) -1(N) - 230 V AC $\pm 10\%$

Frequency: 50/60 Hz $\pm 2\%$

Input control signals - analogue: 0 - 20 mA

..... 4 - 20 mA

..... 0 - 10 V

Input resistance for signal 0/4 - 20 mA..... 250 Ω

Input resistance for signal 0/2 - 10 V..... 50k Ω

(Actuator opens at rising of control signal.)

Controller linearity: 0.5 %

Controller insensitiveness: 1 - 10% (adjustable)

Feedback (position transmitter): resistive 100 up to 10,000 Ω
current 4 up to 20 mA

Power outputs: 2x relay 5A/250V AC

Digital outputs:4x LED (supply, error, adjustment, "opening", "closing" - with two-colour LED)

Error status: control switch 24 V, 2W - POR

Reaction at error situation: transmitter error - error message LED

Control signal missing: error message LED

SYS mode: error message LED

Adjusters: communication connector
..... 2x calibrating and adjusting button

Lubricators :

- see chapter Maintenance - extent and periodicity.

2.2.1 Mechanical connection

- flange (ISO 5211)

Basic and connecting dimensions are given in dimensional drawings.

2.2.2 Electrical connection

Terminals (X) for EA **UP 0** - max. 24 screw-less terminals

with connecting wire cross-section of 0,08 to 1,5 mm²

Terminals (X) for EA **UP 1, UP 2, UP 2.4, UP 2.5** - max. 32 screw-less terminals

with connecting wire cross-section of 0,08 to 2,5 mm²

Cable glands:

For version without local control:

- 3 cable glands - 3xM16 – diameter cable 9 to 13 mm – for UP 0
- 3 cable glands - 3xM20 – diameter cable 8 to 14,5 mm – for UP 1, UP 2 – UP 2,5

For version with local control:

- 2 cable glands - 2xM16 – diameter cable 9 to 13 mm – for UP 0
- 2 cable glands - 2xM20 – diameter cable 8 to 14,5 mm – for UP 1, UP 2 – UP 2,5

The electric connection should be made according to wiring diagrams pasted into the top cover of the EA. Wire stripping length of the wires for screwless terminals is from 8 to 9mm.

Protective terminal:

Upon start-up in operation - at equipment installation:

- for safe use of the actuator it is necessary to connect the outside and inside grounding terminal. The position of the outside and inside grounding terminal can be seen in Fig. 1c and Fig. 1d. HP3 insulated eyelet crimping pliers should be used to crimp wire to the outside grounding terminal (fy CEMBRE).

- a power switch/circuit-breaker must be installed on the power supply cable, as close as possible to the device, easily accessible to the operator and identified as the actuator disconnecting device.

Outside and inside, mutually interconnected and identified with a protective grounding symbol.

The electric connection should be made according to wiring diagrams pasted into the top cover of the EA.

Product protection

We recommend to use fuses for protection of product.

Table 4: Fuse values and characteristics

Type	Order code	Voltage	Frequency (Hz)	Electric motor Power / Power input (W)	max. current EA (A)	Fuse values F3
UP 0 340	340.X-0XXXX/YY	230 VAC	50	13,8/31	0,22	T 0,500 A / 250 V
	340.X-LXXXX/YY	220 VAC				
	340.X-3XXXX/YY	24 VAC	50/60		2,2	T 3,15 A / 250 V
UP 1 341	341.X-0XXXX/YY	230 VAC	50	40/90	0,8	T 1,6 A / 250 V
	341.X-LXXXX/YY	220 VAC				
	341.X-9XXXX/YY	3x400 VAC 3x415 VAC	50	40/110	0,42	T 0,8 A / 250 V
	341.X-MXXXX/YY	3x380 VAC				
UP 2, UP 2.4 UP 2.5 342,343,344	34X.X-0XXXX/YY	230 VAC	50	20/75	0,45	T 1 A / 250 V
	34X.X-LXXXX/YY	220 VAC				
	34X.X-0XXXX/YY	230 VAC	50	60/120	0,86	T 1,6 A / 250 V
	34X.X-LXXXX/YY	220 VAC				
	34X.X-9XXXX/YY	3x400 VAC 3x415 VAC	50	90/150	0,56	T 1,0 A / 250 V
	34X.X-2XXXX/YY	3x380 VAC				
	34X.X-MXXXX/YY	3x380 VAC				
	34X.X-0XXXX/YY	230 VAC	50	120/228	1,3	T 1,6 A / 250 V
	34X.X-LXXXX/YY	220 VAC				
	34X.X-9XXXX/YY	3x400 VAC 3x415 VAC	50	180/300	0,82	T 1,6 A / 250 V
	34X.X-2XXXX/YY	3x380 VAC				
	34X.X-MXXXX/YY	3x380 VAC				
	34X.X-NXXXX/YY	3x380 VAC				

Electric connection: - according to the wiring diagram stuck into the case of the EA.

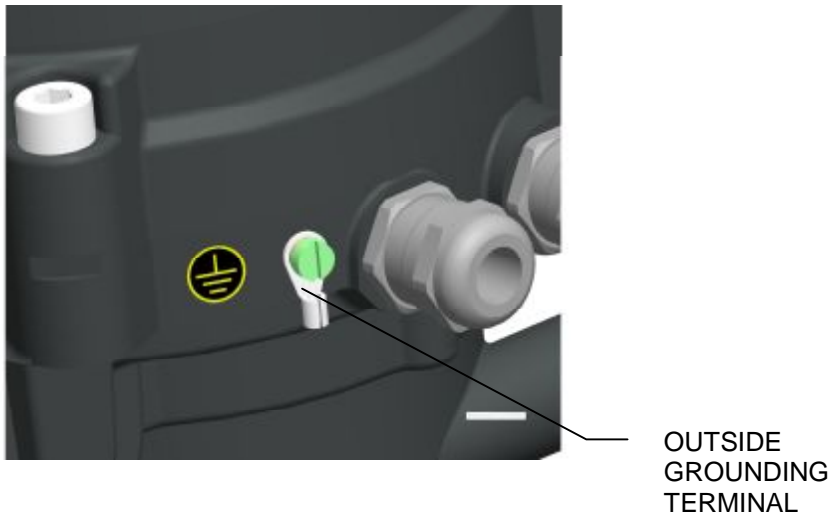


Fig.1c

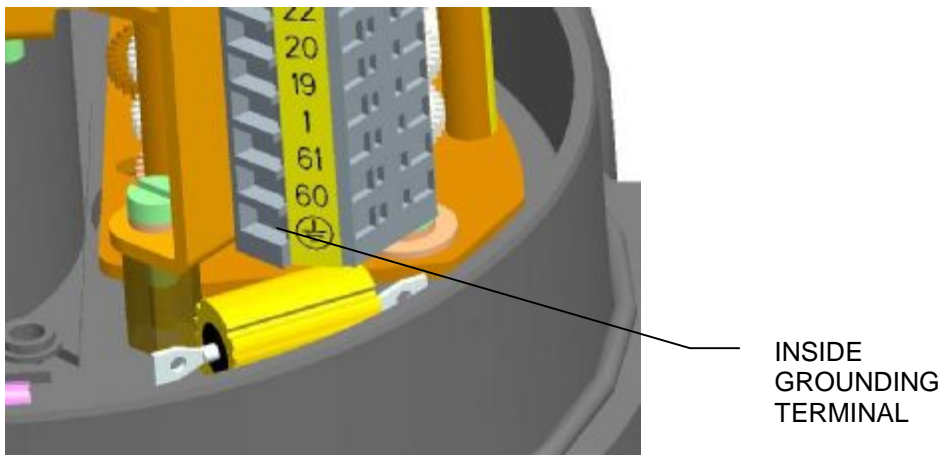


Fig.1d

3. Installation and dismantling of actuator



Abide by safety measures!

Note:

Check again if placement of EA reply to chapter "Operation conditions". In case that operation conditions are different from recommended, consultation with producer is needed.

Before starting of mounting the EA onto the valve:

- Check again whether the EA was not damaged during storing.
- Check whether the adjusted operation stroke and connecting dimensions of the actuator (see the nameplate) are in compliance with the valve parameters.
- In case of inconsonance, perform adjusting according to the part "Adjustment".

3.1 Installation

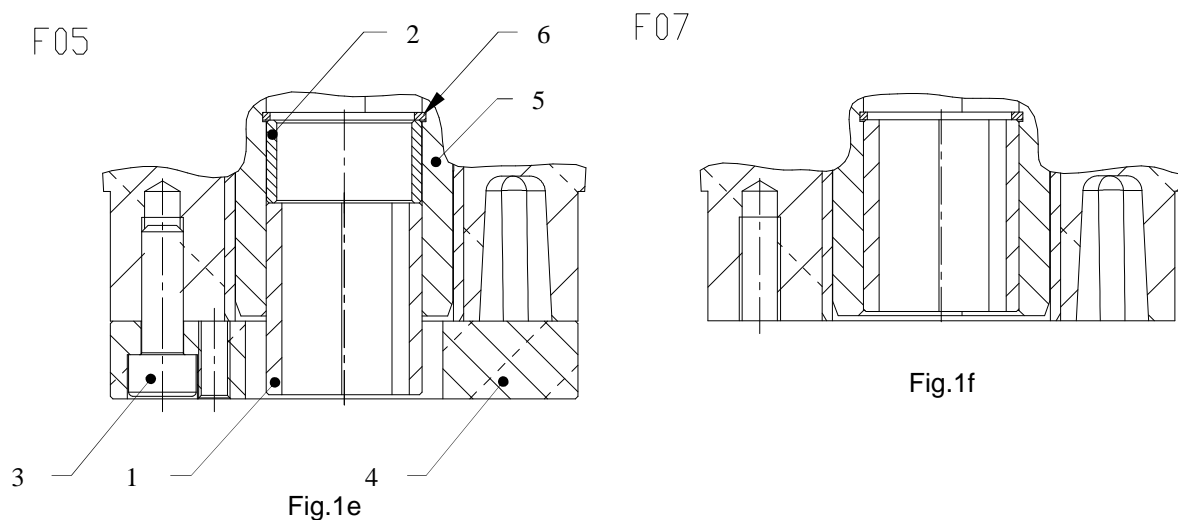
EA is by the producer adjusted to parameters according to the nameplate.
Before installation put the hand wheel on.

3.1.1 Mechanical flange connection

- Defat the abutting areas of the connecting flange of the EA valve or the gear carefully;
- Lubricate the output shaft of the valve/gear with a grease not containing any acids;
- Set the EA to the limit position "closed", set the valve to the same position;
- Put the EA onto the valve with the output shaft reliably stalled in the valve coupling/gear;

Exchange of the mechanical connection flange from F05 to F07 (applies only to ES UP 1):

Push the insert (fig. 1e) (1) and the stop tube (2) out of the wheel (5). Using a 6 mm Allen key unscrew the four screws (3) and remove the flange (4). Slide the insert (1) back into the wheel (5) until it meets the ring (6).



Attention!

Do not adjust EA on an armature forcibly because of damage of the gear!

- Use the hand wheel to turn the EA to fit the openings in the EA and valve flanges if needed;
- Check whether the connecting flange abuts with the valve/gear;
- Fix the flange with four screws (with mechanical strength min 8G) fixed the way the actuator can Be moved. Tighten the screws equally in cross;
- At the end check the correctness of the fixture with the valve with rotating the hand wheel.

3.1.2 Electric connection and checking of function

Follow up with connecting the EA with mains or master system.



1. Follow instructions in the part "Requirements for professional qualification"!
2. While laying electrical line abide by the instructions for heavy current installations. Power supply cables must be of the type approved. Minimum thermal resistance of power supply cables and wires must be +90°C.
3. Cables to terminal boards or connectors lead through screw cable glands.
4. Before initiation ES into operation internal and external protection terminals are needed to be connected.
5. Feeding cables are to be fixed to the solid construction at most 150 mm from the cable glands.
6. Torque switching is not fitted with mechanical interlocking device (except for UP 2, UP 2.4, UP 2.5).
7. To prevent moisture from entering the actuator around the connecting cables, the cables must be sealed with silicone material at the point of penetration through device shell.

Connecting with the master system:

The EA can be controlled with:

- a built-in position controller
- an external position controller



1. If the EA is controlled with an external controller using unified signal from a two-wire transmitter (capacitive or resistive with a controller in two-wire connection), it is needed to arrange connecting of the two-wire transmitter loop to electrical earth of the successive external controller!
2. Connection can be performed only in one point, in any part of loop out of the EA.
3. Electronics of the two-wire transmitters is galvanically insulated that is why it can serve as an external source for supplying of several transmitters (their number depends on current which the source can supply).

Connection with the terminal board:

Before the connection remove the actuator case and check whether the type of current, power supply and frequency correspond with the data on the actuator nameplate.

Electric connection:

- The electric connection should be realized according to the wiring diagram stuck into the case of the EA;
- The electric connection should be performed through two cable glands see No. 2.2.2.
- Once electrical services are completed put on the cover and fasten it evenly crosswise by bolts. Fasten the cable glands to ensure specified shielding.

Notes:

1. To connect the input control signals and output signals is needed to use shielded wires with steel wire braid (Galvanised Steel Wire Braid GSWB Ξ), for example cable type "Bruflex ® HSLCH", 4x0, 5 (company Bruns Kabel).
2. The EA are delivered with cable glands which in case of correct tighten are onto the supply lead allow the protection enclosure of IP 68.
3. The cable is to be fixed the way corresponding with its allowable bending radius not to damage or deform the sealing element of the cable lead. The supply leads have to be fixed onto a fixed construction max. 150 mm from the leads.
4. It is recommended to connect the remote transmitters with shielded wires.
5. The face areas of the control part cover should be clean before fixing it back.
6. The EA is reversible if the time interval between the power supply is switched off and on for the reverse direction of the output part motion is at least 50 ms.
7. The allowed delay after it is switched off, i.e. time from the switches reaction up to the motor without any voltage is 20 ms maximally.



Observe the valve manufacturer's instructions with respect to the requirement to ensure switching-off in limit positions through position or torque switches!

Caution:



1. Power supply to the actuator and connections with switching, protective and safety devices may be carried out only by personnel with appropriate qualification, in compliance with the corresponding standards and wiring diagrams, such as those specified in the Instruction

Manual...

2. All terminal connections must be checked after connection of the power supply cables. The conductors must not apply any bending or tensile stress upon the connecting terminals. The following measures should be taken when using aluminum conductors:
3. Immediately before connecting the aluminum conductor, it is necessary to remove the oxide layer on the surface and prevent the oxidation by application of neutral vaseline to protect the connection.

After connection, check the correct direction of the actuator shaft rotation by short activation of the actuator in intermediate position. This can also be checked by using a stick made of insulating material to activate the corresponding micro-switch - limit, position or torque (depending on the type of actuator control) during operation of the actuator.

If the actuator does not stop, but stops upon signal from micro-switch corresponding to the opposite rotation direction, you will need to change the direction of rotation of the actuator output shaft. In case of an actuator driven by single-phase electric motor, the direction of rotation can be changed by switching the supply cables on the terminals of the electric motor.

In case of actuators with three-phase electric-motor, interconnect one of the pairs of conductors on terminals U, V, W of the actuator terminal board. Repeat the function test again.

Important!

- 1) During adjustment, repair and maintenance, secure the actuator by prescribed means in order to prevent its power-up resulting in the possibility of electric shock injury or injury by rotating parts.
- 2) When reversing the operation of actuators with single-phase electric motor, power supply must never be connected simultaneously to both outputs of the start-up capacitor at the same time, otherwise the capacitor could discharge through torque switch contacts resulting in their sticking together.

After adjustment of the actuator, check its operation using the control circuit. Especially make sure that the actuator starts-up correctly and that the electric motor is disconnected from power supply after triggering of the corresponding micro switch. Otherwise immediately disconnect the power supply to the actuator to prevent damage to the electric motor and try to locate the malfunction.

After the EA is electrically connected it is advised **to check functions:**

- After the EA is electrically connected to check the correct functions of the position and the torque switches S1 - S6 and if needed adapt the order of the single phase leads for the 3-phase electric motor.
- Set the valve manually into an mid-position.
- Connect the power supply to the terminal for supplying the EA in the direction "opening" and follow the direction of the output shaft of the actuator rotation. When EA is connected correctly, the output shaft of EA, into the actuator control part from the top, must rotate counterclockwisely. If not, it is necessary to change the phase leads L1 and L3 on the terminals 2 and 4 mutually, valid for 3-phase electric motor. After the exchange is made check the direction of the EA rotation.
- If any of the functions is not correct, check the switches whether they are wired properly according to the wiring diagrams.

In the **UP X.X version** with the built-in electronic controller it is needed to perform **autocalibration** for assuring optimal functioning.

The procedure is as follows

Press the button **SW1** for about 2 sec (i.e. till the **D3** diode is got on) to set the controller to the **autocalibration** mode. During this process the controller checks the feedback transmitter and the sense of turning, puts the EA to the positions open and closed, measures inertia mass in the directions "opening" and "closing", and loads the adjusted parameters into the EEPROM memory. In case that during the initialization process an error occurs (e.g. in connection or adjustment) the initialization process will be interrupted and the controller with the **D4** diode reports about the type of the error. Else after finishing the initialization process the controller is put into the **regulation mode**. If needed to change adjusted parameters of the controller follow instructions given in the part Adjusting of actuator.

3.2 Dismantling



Attention!

***Before disassembly is necessary to disconnect electric supply of electric actuator!
Secure by prescribed way protection against connection of EA to the network and thus
potential electrical accident!***

- Disconnect the EA from mains.
- Disconnect the leads from the EA terminal boards and loosen the cables from cable glands. Pull out the connectors in case of the connector version.
- Loosen the fixing screws of the EA flange and coupling screws and disconnect the EA from the valve.
- While sending the EA to be repaired put it into a package solid enough to avoid damages of the EA during transportation.

4. Adjustment



Attention! See chapter 1.2

If it is necessary to connect the supply voltage to Electric actuator, make sure by following the mentioned procedure that there is no injury caused by the electric current. Otherwise, disconnect the Electric actuator from the electricity network.

Observe safety regulations!

After mechanical connection, electrical connection and checking of connection and function start setting and adjustment of the device. The adjustment is performed with the EA mechanically and electrically connected and the connection and functions were checked. The chapter describes the adjustment of the EA to the parameters given in the nameplate in case that any of its parts is out of tune. The adjusting parts on Fig.1.

Definition of the direction of movement:

- movement direction "close" - the output shaft of the actuator rotates in the clockwise direction when looking into the actuator control part from the top.

4.1 Adjustment of the torque unit

The switching - off torque are adjusted by the producer for both directions, i.e. for the direction "opening" (the torque switch S1) as well as for the direction "closing" (the torque switch S2) to the specified value with tolerance of $\pm 10\%$. If not stated else they are adjusted to the maximum rate.

It is impossible to align and adjust the torque unit for EA **UP 0** actuator to alternative values of torque without test equipment to measure torque.

Adjustment and setting of the torque unit for EA **UP 1** actuator to alternative torque values is possible through the use of adjustment screws according to **Fig. 2**. Switching-off torque can be reduced by rotating the graduated screws along the gauge mark on the arm of the torque unit. Adjustment to longest mark results in resetting the switching-off torque to maximum value. Adjustment to the shortest mark results in the reduction of the switching-off torque.

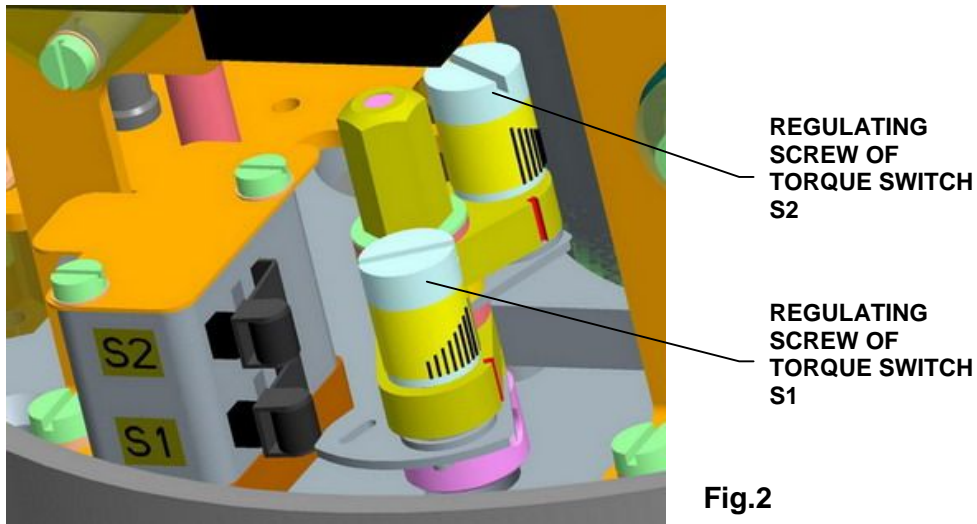
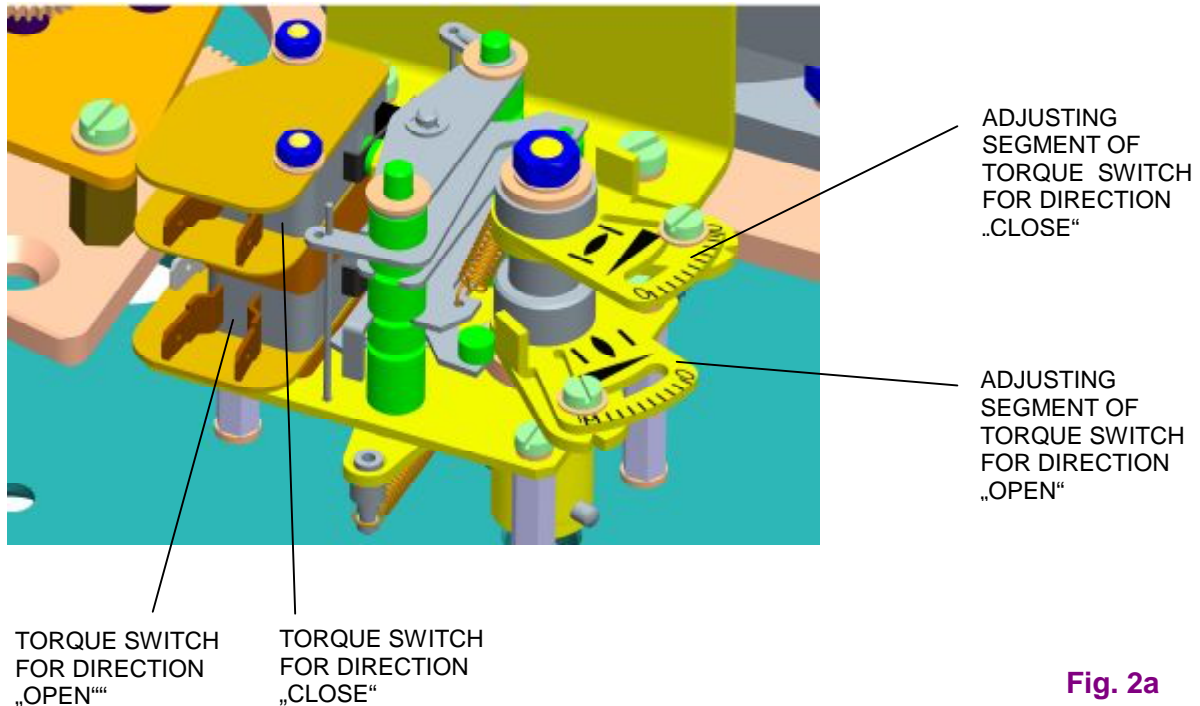


Fig.2

Adjustment and setting of the torque unit for EA **UP 2, UP 2.4, UP 2.5** actuator to alternative torque values is possible through the use of adjustment segments according to **Fig. 2a**. Torque can be reduced by releasing the screw and sliding the graduated segment along the gauge mark on the arm of the torque unit. Adjustment towards M results in resetting the switching-off torque to maximum value. Adjustment towards 0 results in reduction of the switching-off torque.



4.2 Adjustment of position-signalling unit

UP 1, UP 2, UP 2.4, UP 2.5 (Fig.3):

By default the actuator is set by the manufacturer to standard stroke (according to specification), as specified in the nameplate.

While setting, adjusting and resetting follow these steps (Fig. 3):

- in the version with a resistant transmitter (Fig.4) disengage the transmitter;
- loosen the nut (22) with simultaneous holding the central milled nut (23) and then loosen the nut (23) fixing the cams still having the belleville springs which create axial thrust;
- reset the EA to the “Open” position and rotate the cam (29) clockwise (when viewing the actuating plate from above) until switch S3 switches over (25);
- reset the EA by the angle where the “Open” position is to be indicated and turn the cam (31) clock-wise until switch S3 switches over (27);
- reset the EA to the “Closed” position and turn the cam (28) counter clockwise until switch S4 switches over (24);
- reset the EA back by the angle where the “Closed” position is to be indicated and turn the cam (30) counter clockwise until switch S6 switches over (26);
- once the EA is adjusted manually tighten the central milled nut (23) to lock the cams and tighten the lock nut (22) while simultaneous holding the milled nut;
- swing the position indicator discs (32) for the given operating stroke against the gauge mark on the top cover sight;
- once of the position- signalling unit is adjusted also adjust the position transmitter or converter.

There is an option of bi-directional signalling at all operating stroke time, i.e. 100 %.

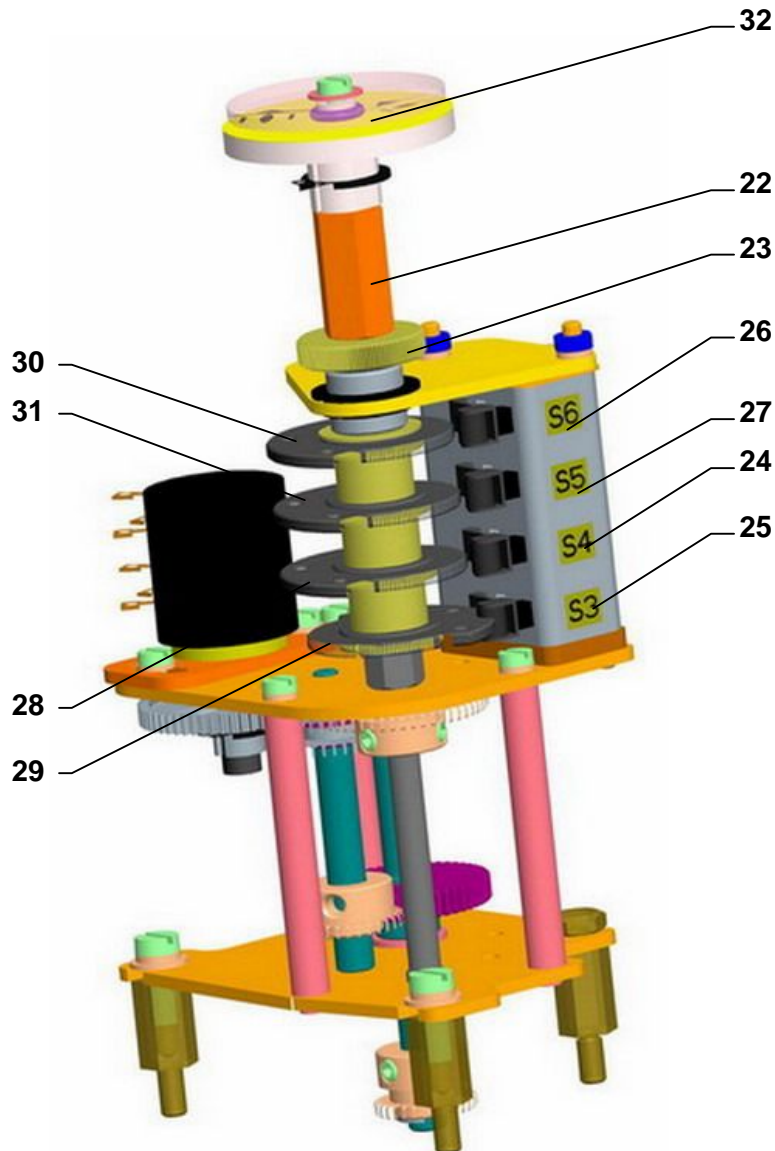


Fig.3

UP 0 (Fig.3a):

By default the actuator is set by the manufacturer to standard stroke (according to specification), as specified in the nameplate.

Proceed as follows to adjust, align and reset the limit and signaling switches (Fig.3a).

- Reset the actuator to the "opened" position and turn the V3 cam in the clockwise direction (viewing the control panel from the top), until switch S3 is activated
- Reset the actuator to the "closed" position and turn the V4 cam in the counter-clockwise direction (viewing the control panel from the top), until switch S4 is activated
- Reset the actuator to the position at which you want the S5 signaling switch to be activated when moving towards "open" position and rotate cam V5 in the clockwise direction until switch S5 is activated
- Reset the actuator to the position at which you want the S6 signaling switch to be activated when moving towards "closed" position and rotate cam V6 in counter-clockwise direction until switch S6 is activated
- Rotate the position indicator discs for the particular stroke with respect to the gauge mark on the sight of the top enclosure.

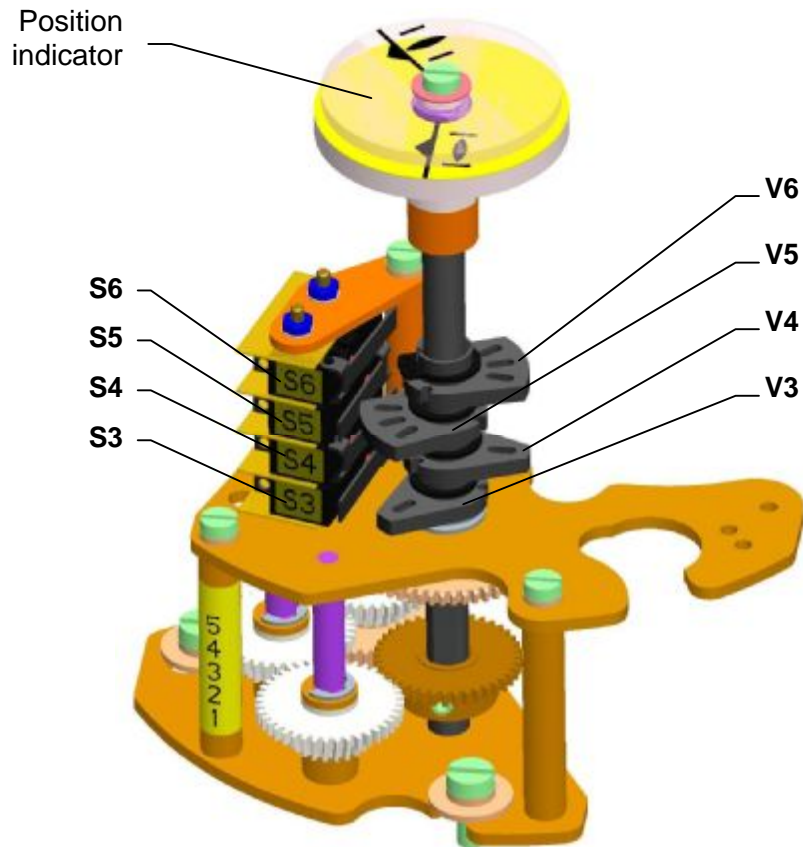
After alignment of the position signaling unit it is necessary (if needed according to the equipment of the actuator) to align the position transmitter.

Note 1: Signaling from switches S5, S6 is possible from 50% of the maximum operating stroke specified in the nameplate. If larger signaling range is required, it is possible to make use of the reversing function of the switches.

Note 2: marking switches

- S3 – position switch „open“
- S4 - position switch „close“
- S5 – position switch (signalling) „open“
- S6 - position switch (signalling) „close“

Note 3: The torque and position switches are connected in series (see the wiring diagram UP 0). If the valve needs to be tightly closed in the limit position by thrust in the corresponding direction, it is necessary to align the corresponding position switch (S3 or S4) so that it does not get activated before the switching-off torque is reached. Observe the valve manufacturer's instructions when aligning the actuator with the valve!

**Fig.3a**

4.3 Adjustment of resistant transmitter (Fig.4)

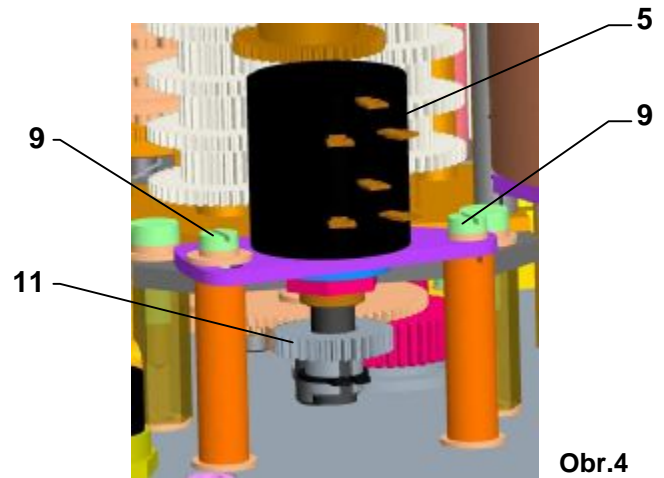
Function of resistance transmitter:

- remote position indicator
- feedback for controller (valid for Electric actuator with controller)
- remote position indicator with converter.

Before the resistant transmitter adjustment the position switches have to be adjusted. Adjustment consists in setting of the resistance in the defined limit position of the EA.

Notes:

1. In case that the EA is not used in the working revolutions range according to chosen degree on the competent stroke according to table Nr.3, the resistance in the limit position "open" is proportionally reduced.
2. In the EA with controller 2000 W resistant transmitters are used. In the other cases if the resistant branch is lead to the terminal board the resistance of the transmitters is according to the customer's specification. With EA of 2- wire converter a transmitter of 100 W resistance is used .



To adjust the transmitter follow these steps:

- Loosen the fixing screws (90) of the transmitter holder and push the transmitter out of mesh.
- Connect the measuring instrument for measuring the resistance to terminals 71 and 73 on the Electric actuator local control terminal box, or to terminals 7 and 10 on the Electric actuator local control controller with the controller with the disconnected supply voltage to Electric actuator and with the disconnected input signal into the controller (terminals 86-88).
- Put the actuator to the position "closed" (with the hand wheel, or with the local electric position control until the corresponding position switch S2 or S4 switches).
- Rotate the transmitter (91) shaft until resistance of $\leq 5\%$ of the nominal transmitter resistance can be read on the meter in case of EA **MO**, and 3 up to 7% of the nominal transmitter resistance in case of EA **MO** with controller, i.e. with the resistant transmitter with the converter PTK1.
- In the position put the transmitter to mesh with the drive wheel and fix the fixing screws on the transmitter holder. Disconnect the meter from the terminal board.
- If when in the open position, the value of the resistance of the transmitter is greater than permitted, then the working stroke must be reduced.

4.4 Adjustment of the Electronic Position Transmitter (EPV) - the Resistive Transmitter (Potentiometer) with the Converter PTK 1

4.4.1 EPV – the 2-wire version (Fig. 5,5a)

The position transmitter with the converter PTK1 is in the plant adjusted to have the output current signal on the terminals 81-82 as follows:

- in the position "open" 20 mA
- in the position "closed" 4 mA

If the transmitter requires a new adjustment follow these steps:

Adjustment of the EPV – 2 wire version

- Put the actuator to the position "closed" and switch the power supply off.
- Adjust the resistive transmitter according to the previous chapter. The resistance is to be metered on the terminals X-Y, resp. R-R (Fig. 5,5a). The used transmitter resistance is 100 Ω.
- Switch the converter's power supply on.
- Turn the adjusting trimmer **ZERO**, resp. **A** to adjust the output current signal rate measured on the terminals 81-82 to 4 mA.
- Set the actuator to the position "open".
- Turn the adjusting trimmer **GAIN**, resp. **B** to adjust the output current signal rate measured on the terminals 81-82 to **20mA**.
- Check the output signal of the converter in the both limit positions, and repeat the procedure if needed.

Note:

The output signal of 4-20mA can be adjusted at the range from 75 up to 100% of the rated stroke stated on the actuators nameplate. At values less than 75% the value 20mA is reduced proportionally.

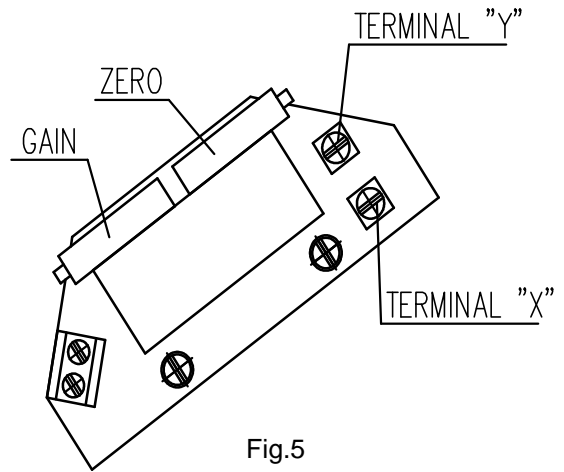


Fig.5

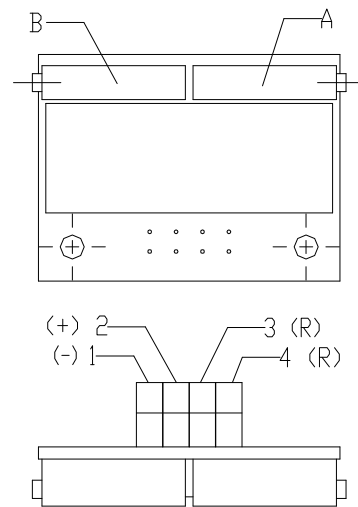


Fig. 5a

4.4.2 EPV – 3-wire version (Fig. 6, 6a)

The resistive transmitter with the converter is in the plant adjusted to have the output current signal metered on the terminals 81-82 as follows:

- in the position "open".....20 mA resp. 5 mA resp. 10 V
- in the position "closed".....0 mA resp. 4 mA resp. 0 V

according to the specified version of the converter.

If the transmitter requires a new adjustment follow these steps:

- Put the actuator to the position "closed" and switch the power supply off.
- Adjust the resistive transmitter according to the previous chapter. The resistance is to be metered on the terminals X-Y, resp. 0%-100% (Fig. 6, 6a). The used transmitter resistance is 2000 W or 100 W.
- Switch the converter's power supply on.
- Turn the adjusting trimmer **ZERO**, resp. **A** to adjust the output current signal rate measured on the terminals 81-82 to 0mA resp.4 mA, resp. 0 V.
- Set the actuator to the position "open".
- Turn the adjusting trimmer **GAIN**, resp. **B** to adjust the output current signal rate measured on the terminals 81-82 to 20mA, resp. 5 mA, resp. 10V.
- Check the output signal of the converter in the both limit positions, and repeat the procedure if needed.

Note:

The output signal of (0-20mA, 4-20mA or 0-5mA - according to the specification) can be adjusted at the range from 85 up to 100% of the rated stroke stated on the actuator's nameplate. At values less than 85% the value of the output signal is reduced proportionally.

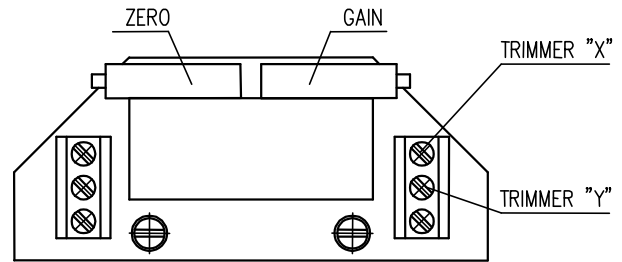


Fig. 6

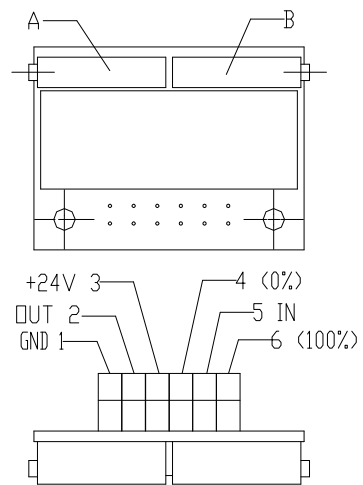


Fig. 6a

4.5 Adjustment of Capacitive Transmitter CPT1/A (Fig.7)

The chapter describes adjustment of the capacitive transmitter to the specified parameters (standard values of output signals) in case they are reset. The capacitive transmitter (95) serves as a position transmitter of electric actuators with unified output signal of 4÷20 mA in electric actuators **UP X.X**, or as a feedback of a position controller, or if required it functions also as a remote position transmitter of electric actuators with unified output signal of 4÷20 mA in electric actuators **UP X.X with controller**.

Before adjusting the transmitter, terminal position switches S3 and S4 must be adjusted.

Note1: With the version with controller; at using the output signal, this signal isn't galvanic insulated from the input signal !

Note2:

In case that reversed output signals are needed (in the position "OPEN" minimum output signal) contact personnel of service centres.

The capacitive transmitter CPT1/A is adjusted by the producer to the fixed operation angle according to the order and wired according to the wiring diagrams placed into the cover. Check the power supply of the user after connecting to terminal of the terminal board before the transmitter is electrically checked. Adjustment of the capacitive transmitter can be performed when the position switches are adjusted. The adjustment is performed with the power supply of 230 V/50 Hz and ambient temperature of $20 \pm 5^\circ\text{C}$.

The following versions of electric actuators with built capacitive transmitters can be specified:

- A) The version without any power supply (2-wire version)**
- B) The version with a power supply (2-wire version)**
- C) The version CPT as a feedback to the position controller for EA UP X.X with controller**

A.) Adjustment of the Capacitive Transmitter without any Power Supply

Before connecting check the power supply. The measured voltage should be in range from **18 up to 28 V DC**.



The voltage of the power supply must not be in any case higher than 30 V DC. The transmitter can be irreversibly damaged!

While checking or adjusting the output signal of 4÷20 mA follow these steps:

- Connect a mA meter of precision class 0,5 and loading resistance lower than 500 Ω serially with the transmitter (pole "-"; terminal 82)
- Put the actuator to the position "CLOSED", the signal value should decrease.
- Check the signal value for the position "CLOSED" (4 mA).
- Tune the signal with loosening the fixing screws (15) and turning the trimmer (10) until the required value of 4 mA is reached. Tighten the fixing screws.
- Put the actuator to the position "OPEN", the signal value should raise.
- Check the signal value for the position "OPEN" (20 mA).
- Tune the signal with turning the trimmer (20) until the required value of 20 mA is reached.
- Check the signal value for the position "CLOSED" and then for the position "OPEN".
- Repeat the procedure until the change from 4 to 20 mA is reached with deviation less then 0,5 %.
- Disconnect the meter and lock the screws with a varnish.

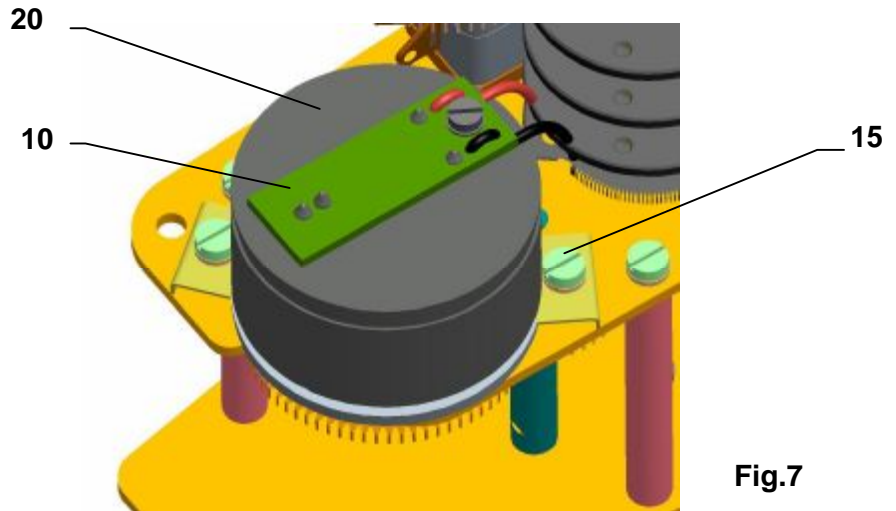


Fig.7

B.) Adjustment of the Capacitive Transmitter with the Power Supply

- 1.) Check the power supply: 230 V AC, resp. 24 V AC (according to version) $\pm 10\%$, on the terminals 1, resp. 60 and 61
- 2.) While checking or adjusting the output signal of 4÷20 mA follow these steps:
 - Connect a mA meter of precision class 0,5 and loading resistance lower than 500 Ω on the terminals 81, 82.
 - Follow the procedure described in the previous chapter A.



The user has to arrange grounding of the 2-wire circuit of the capacitive transmitter to the electrical ground of a joined controller, computer, etc. The grounding should be performed only in one place in any part of the circuit outside the electric actuator!

C.) Adjustment of the Capacitive Transmitter Served as a Feedback of the Position Controller (EA UP X.X with controller)

While checking or adjusting the output signal of 4÷20 mA follow these steps:

- Disconnect the circuit on the terminals 81 and 82 removing the jumper.
- Connect power supply to the terminals 1 and 61.
- Disconnect the control signal from the terminals 86/87 and 88.
- Put the actuator to the direction "OPEN" or "CLOSE" with the handwheel or by connecting power supply to the relevant terminals for the direction "OPEN", or for the direction "CLOSE".
- Connect a mA meter of precision class 0,5 (e.g. digital) and loading resistance lower than 500 Ω on the terminals 81,82.
- Follow the procedure for the version without any power supply described in the previous chapter A.
- Having the transmitter adjusted put the jumper again on the terminals 81 and 82 in case that the output signal wont be used (the circuit through the terminals 81 and 82 should be closed).
- Connect the control signal to the terminals 86/87 and 88.



The user has to arrange grounding of the 2-wire circuit of the capacitive transmitter to the electrical ground of a joined controller, computer, etc. The grounding should be performed only in one place in any part of the circuit outside the electric actuator!

With the version with regulator when the feedback from the CPT transmitter is used; at using the input signal, this signal isn't galvanic insulated from the output signal !

Note:

The trimmer (20) can be used to adjust the output signal of the capacitive transmitter to any value of operation stroke in range from ca 40% up to 100% of the value of the operation stroke adjusted by the producer and stated on the actuators nameplate.

4.6 Adjustment of position controller (Fig. 13)

The built-in position controller REGADA is a user-friendly control system to control actuators with an analogue signal. The controller takes advantages of high-power RISC processor MICROCHIP to perform all functions. It provides also continuous automotive diagnostics of the system, error messages as well as number of relay switching and number of controller's operation hours. Placing an analogue signal onto the input terminals of the terminal board 86 (GND, -) and 88 (+) causes that the EA output is reset.

Required parameters and functions can be programmed using function buttons SW1 - SW2 and LED diodes D3 - D4 placed directly on the controller, see **Table 4**.

4.6.1 Setting of controller

The controller's microprocessor unit is in the production plant programmed to parameters given in **Table 4** (Note 2).

Setting of the controller is performed using buttons and LED diodes.

Adjust the position and torque switches and the position transmitter before adjustment of the controller.

In addition, it is necessary to monitor the correct running of the electric motor concerning the sequence number of phases, otherwise it may happen that during automatic calibration, the engine will run in the opposite direction and the controller will not detect this as an error.

Laying of adjusters and signaling elements on the board of the REGADA controller is shown on **Fig. 13**:

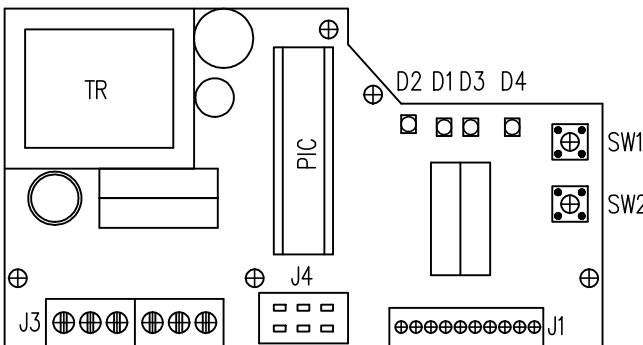


Fig.13

SW1 button	starts an initialization routine and allows listing in the adjust menus
SW2 button	setting of parameters in the chosen menu
D1 diode	power on indication
D2 diode	motion to the direction "opening" indication (green) - "closing" (red) indication
D3 diode	(yellow light) number of blinking codes indicates chosen adjust menu
D4 diode	(red light) number of blinking codes indicates adjusted parameter of the controller from the chosen menu

Table 4:

D3 (yellow) diode number of blinking	Adjust menu	D4 (red) diode number of blinking	Adjusted parameter
1 blink	control signal	1 blink	0-20mA
		2 blinks	4-20 mA (*) (**)
		3 blinks	0-10V DC
2 blinks	response for signal SYS-TEST	1 blink	EA opens receiving signal SYS
		2 blinks	EA closes receiving signal SYS
		3 blinks	EA stops receiving signal SYS (*)
3 blinks	mirroring (ascending/descending characteristics)	1 blink	EA CLOSING at increasing of control signal
		2 blinks	EA OPENING at increasing of control signal (*)
4 blinks	insensitiveness of controller	1 to 10 blinks	insensitiveness of controller of 1-10% (3% set by the producer) (*)
5 blinks	way of regulation	1 blink	narrow torque
		2 blinks	narrow position (*)
		3 blinks	wide torque
		4 blinks	wide position

Notes:

1. The controller at autocalibration automatically sets the feedback type - resistant/current
2. (*) Parameters set in the production plant, if customer has not stated else.
3. (**) Input signal 4 mA - position "closed"
 20 mA - position "open"

Standard setting of controller (programmed RESET of controller) –

In the case of problems with setting the parameters, proceed as follows:

- disconnect the supply voltage
- at the same time, press buttons SW1 and SW2
- switch on the supply voltage
 - keep the buttons pressed down until the yellow LED diode starts to flash which indicates that the basic setting is complete.

Controller setting procedure:

The initialization routine starts at the switched-on controller, zero system deviation and short pressing of the **SW1** button for ca 2 sec (i.e. until the diode **D3** got on). Loosing the button menu control signal starts, what is shown with 1 blink on the **D3** diode as well as one of the default parameters (usually control signal of 4-20mA) what is shown with 1 blink on the **D4** diode. Then the required parameters of the controller can be changed according to Table 4:

- press shortly the **SW1** button to list the menu shown with the blinking number on the **D3** diode.
- press shortly the **SW2** button to set parameters shown with the blinking number on the **D4** diode.

After changing of the parameters according to user's wishes, put the controller to **autocalibration** with pressing the **SW1** button for ca 2 sec (i.e. until the diode **D3** got on) , what is shown with 6 blink on the yellow LED **D3** diode.

During this process the controller performs the feedback transmitter and turning sense checking, sets actuator to the positions "open" and "closed", measures inertia mass in the directions "opening" and "closing", and loads the adjusted parameters into the EEPROM memory. In case that during the initialization process an error occurs (e.g. in connection or adjustment) the initialization process will be interrupted and the controller with the **D4** diode reports about the type of the error. Else after finishing the initialization process the controller is put into the regulation mode.

Error messages of the controller with D4 diode at initialization

- 4 blinks.....improper connection of the torque switches
- 5 blinks.....improper connection of the feedback transmitter
- 8 blinks.....bad sense of actuator's turning direction or adverse connection of the feedback transmitter

4.6.2 Watching operation and error states

Watching operation and error states is possible with the EA open.

a) Operation status with the D3 LED diode indicating:

- it is continuously lighting - the controller regulates
- it is continuously not lighting - system deviation in the insensitiveness range - the EA has stopped

b) Error state with the D4 and D3 LED diodes indicating - D4 continuously lighting, D3 indicates error state with blinking

1 blink (repeated)	indication of the "TEST" mode - the EA is put to the position according to the signal in the "TEST" menu (at connecting the 66 and 86/87 terminals)
2 blinks (repeating after short pause)	missing of control signal - the EA is put to the position according to the signal in the "TEST" menu
4 blinks (repeating after short pause)	torque switches activity indication (the EA switched-off with the torque switches in a mid-position)
5 blinks (repeating after short pause)	failure of the feedback transmitter - the EA is put to the position according to the signal in the "TEST" menu
7 blinks (repeating after short pause)	control signal (current at range 4-20mA less than 4mA (3.5mA)).

4.7 Adjustment of the DCPT3M transmitter

Before the transmitter **DCPT3M (Fig.8)** adjustment the position switches S3 and S4 have to be adjusted. Adjustment consists in setting of the output signal value in the limit positions of the actuator.

By default (unless determined otherwise by the customer), the manufacturer aligns the DCPT3M transmitter so that output signal value 4mA is set for the limit position "closed" and 20 mA for the position "opened". By default the characteristics of the output signal is set to 20-4 mA (descending).

Notes 1: -this type of transmitter enables the assignment 4 mA / 20 mA of the output signal value to any limit position of the actuator.

2:-the transmitter is adjustable within the range of 35 to 100% of the full stroke specified in the nameplate.

4.7.1 Setting of limit positions

If limit positions require re-adjustment, proceed as follows:

Adjustment of the "4 mA" position:

- Turn on the power supply voltage to DCPT3M
- Reset the actuator to the limit position that you want to assign 4 mA signal value to and press (for about 2 seconds) the pushbutton "4", until LED flashes

Adjustment of the "20 mA" position:

- Turn on the power supply voltage to DCPT3M
- Reset the actuator to the limit position that you want to assign 20 mA signal value to and press (for about 2 seconds) the pushbutton "20", until LED flashes

Notes 1: Transmitter error code may result when the first limit position is saved (2x LED flash). The error code is erased by saving of the second limit position, provided that the saved limit positions are within 35 to 100% of the rated stroke specified in the nameplate.

If necessary, please change the characteristic of the output signal from descending to ascending or vice versa, according to the following chapter.

4.7.2 Setting of the ascending/descending characteristic of the output signal

When the characteristic of the transmitter output signal is changed, the set limit positions "4 mA" and "20 mA" are maintained, however the operating range (stroke of DCPT3M) between these two positions is changed to the complement of the original operating range.

When the DCPT3M transmitter is set so that output signal value 4mA is set for the limit position "closed" and 20 mA for the position "opened", the characteristic must be set to 20-4 mA (descending).

When the DCPT3M transmitter is set so that output signal value 20 mA is set for the limit position "closed" and 4 mA for the position "opened", the characteristic must be set to 4-20 mA (ascending).

If you need to toggle the characteristic of the transmitter output signal 4-20 mA (ascending), or 20-4 mA (descending), please proceed as follows:

- Turn on the power supply voltage to DCPT3M
- For 4-20 mA (ascending characteristic) press the pushbutton "20" and subsequently "4" and hold both buttons pressed until LED flashes.
- For 20-4 mA (descending characteristic) press the pushbutton "4" and subsequently "20" and hold both buttons pressed until LED flashes.

4.7.3 Calibration MENU

The calibration menu enables setting of default parameters and calibration of current values 4 and 20 mA (fine tuning of the value of the output current signals 4 and 20 mA in the limit positions).

Adjustment of default parameters:

- Turn off the power supply to the transmitter power supply source.
- Press and hold the "4" and "20" adjustment pushbuttons.

- Turn on the power supply to the transmitter power supply source.
- Hold both pushbuttons until the first and on to the second flash of LED.

Caution: By saving the default parameters the calibration of the transmitter is overwritten and therefore the transmitter must be re-calibrated.

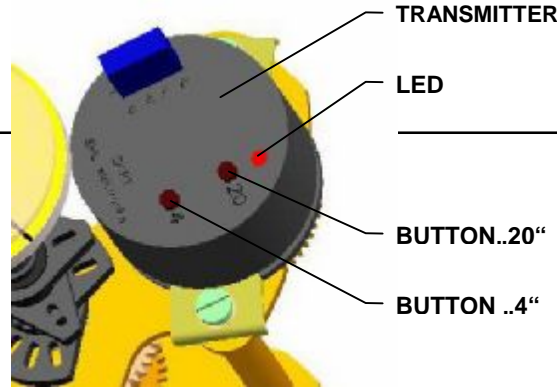


Fig.8

How to access the calibration MENU:

- Turn off the power supply to the transmitter power supply source.
- Press and hold the "4" and "20" adjustment pushbuttons.
- Turn on the power supply to the transmitter power supply source.
- Hold both pushbuttons until the first flash of LED and then release them.

Toggling between 4 and 20 mA in the calibration mode:

- For 4 mA press the pushbutton "20" and subsequently "4" and hold both buttons pressed until LED flashes.
- For 20 mA press the pushbutton "4" and subsequently "20" and hold both buttons pressed until LED flashes.

Setting of 4/20 mA current values in the calibration MENU:

- To reduce the current value, press "20". By holding the button depressed, auto repeat is activated to continuously reduce the value of the output current and when the button is released, the actual value is saved.
- To increase the current value, press "4". By holding the button depressed, auto repeat is activated to continuously increase the value of the output current and when the button is released, the actual value is saved.

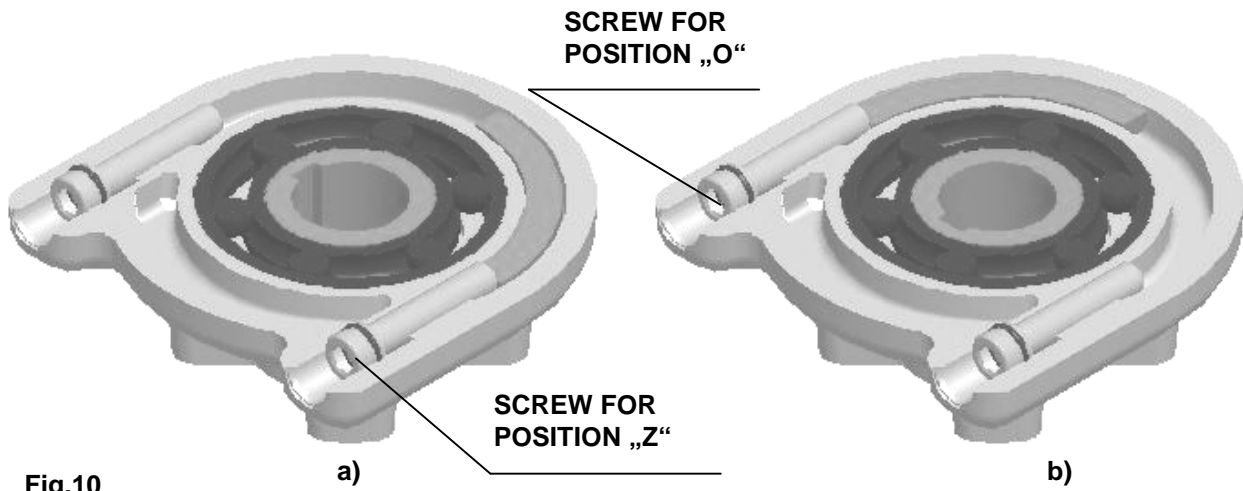
4.7.4 Transmitter error messages

Error is indicated by flashing LED. The number of repeated LED flashes indicates the error code as per table 5.

TABLE 5	
Number of LED flashes	Error
1x	Transmitter position outside operating range
2x	Incorrectly set operating range for the transmitter angle of rotation
3x	Tolerance level of magnetic field outside permitted range
4x	Incorrect parameters in EEPROM
5x	Incorrect parameters in RAM

4.8 Adjustment of the operating angle position and adjustment of stop screws (Fig.10-14)

The stop screws serve for mechanical limitation of the elevation (operating angle) of the electric actuator during manual operation or as the path endpoints for switching-off from torque. Thus the output backstop must not foul them during motor-driven operation without adjusted torque unit. Otherwise damage of mechanical transmission could occur. On following figures you can find shown all possible settings of operation angle for angle 90°, where Fig. a) - output shaft in position „Z" ("closed"), Fig. b) – output shaft in position „O" ("open").

Adjusting of stroke 90° - without changed position of operating angle (0°)**Fig.10**

Backstop screws serve also for setting of the armature operating angle, they allow to change this position from "Z" (0°) and from position "O" (60°, 90°, 120°, 160°) by value $\pm 10^\circ$, whilst the operating angle amount specified on the EA type plate must remain unchanged.

Adjustment of stroke 90° - with changed position of operating angle +10° in direction „O“ (open)

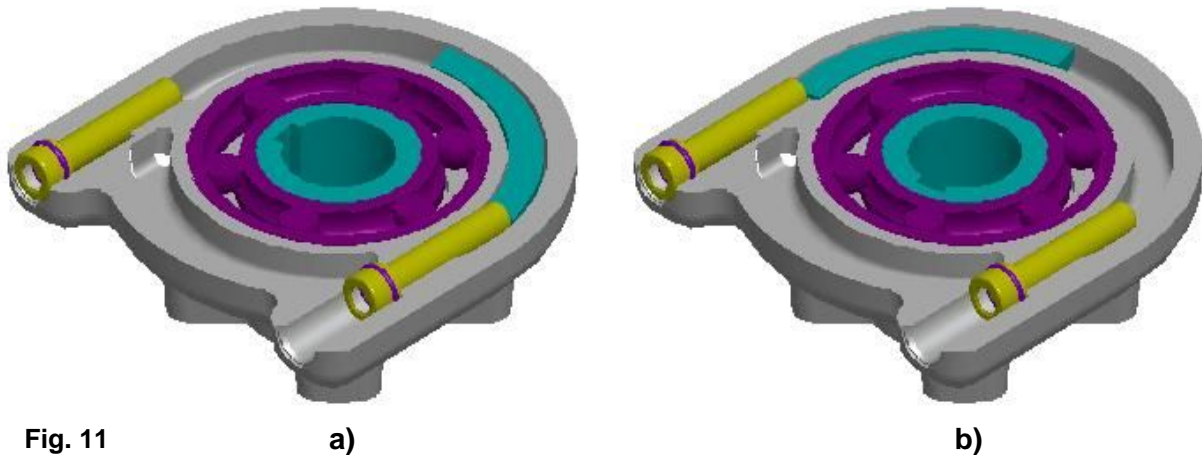


Fig. 11

Adjustment of stroke 90° - with changed position of operating angle +10° in direction „Z“

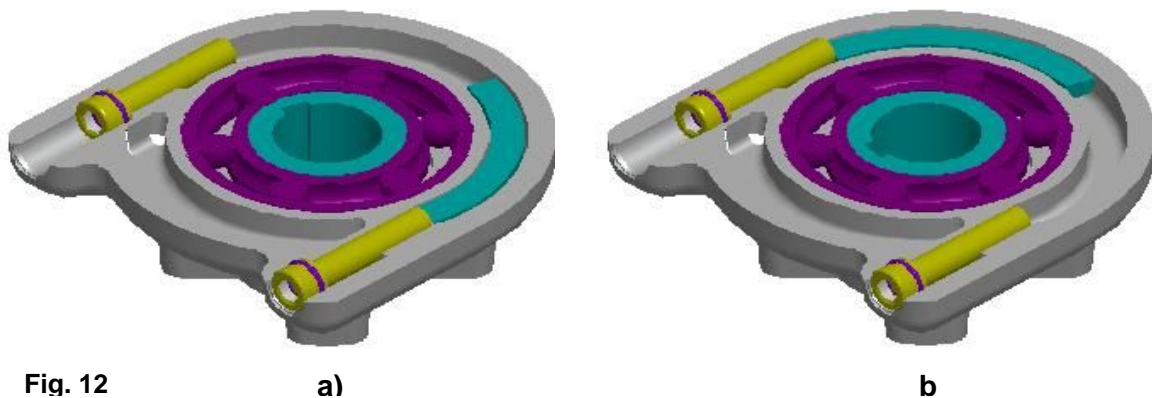


Fig. 12

4.8.1 Adjusting of backstop screws during switching-off the EA from position unit

If EA is equipped with torque switches thus these fulfill the function of limit switches in case when EA is not switched-off from the position unit switches, eventually they fulfill also protective function against overloading of EA.

Procedure:

- release both backstop screws in such way that their heads shall be on the same level as the opening edge (Fig.13)
- readjust the EA into position „Z“ (“closed”) until disconnection of the position switch
- rotate the backstop screw to the right until you feel increased resistance when bumped the backstop. Under such achieved status turn the screw by 1/2 rotation backwards as minimum to avoid sooner connection from the torque unit,
- perform similar adjustment of the backstop screw for position "O" (“open”).

4.8.2 Adjusting of backstop screws during switching-off the EA from torque

When using the backstop screws as endpoints (backstops) for the EA output shaft path thus the EA must have the torque unit adjusted in such way that no overrunning of the switching-off torque could occur.

Procedure:

- by means of manual wheel readjust the EA into position "Z" (“closed”),
- release both backstop screws in such way that their heads shall be on the same level as the opening edge (Fig.13)
- rotate the backstop screw for position "Z" (“closed”) to the right until you feel increased resistance when bumped the backstop

- perform similar adjustment of the backstop screw for position "O" ("open"),
- adjust the position and signaling unit in such way that it should connect after switching-on the torque unit.

Remark:

It is possible to increase (Fig.13) or decrease (Fig.14) the operating angle by 26° on adjusted EA by means of backstop screws, but you are loosing possibility of the output shaft position tuning. In doing so, the positioning unit must be adjusted to this angle and transmitter must be ejected from angle.

Adjustment of elevation angle 110° - increasing of the operating angle by 20°

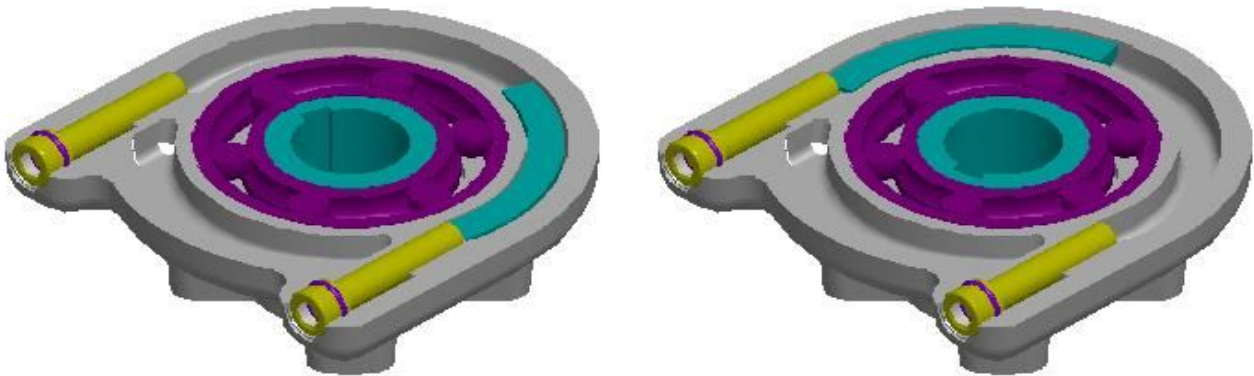


Fig. 13

a)

b)

Adjustment of elevation angle 70° - reduction of the operating angle by 20°

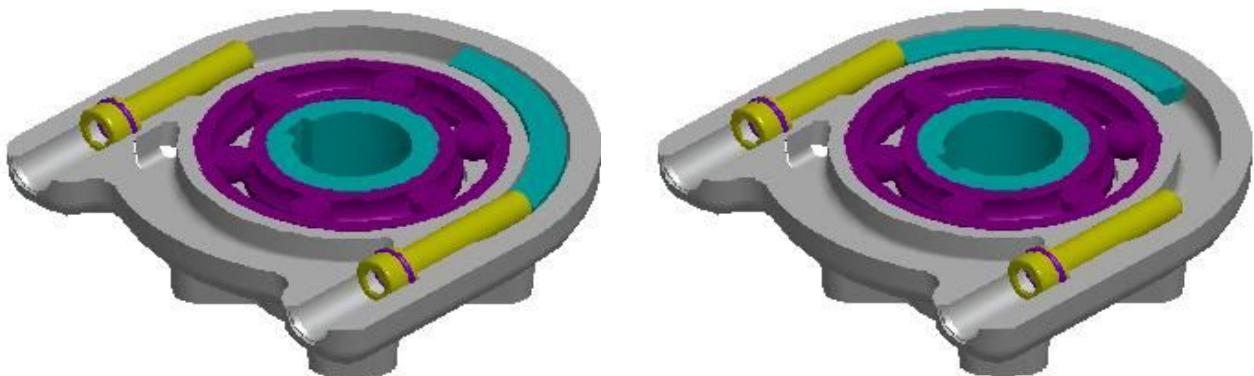


Fig. 14

a)

b)

5. Service and Maintenance

5.1 Service



1. In general it is supposed that the EA is serviced by a qualified person as required in the Chapter 1!
2. After the EA is put into operation it is necessary to check whether during manipulation its surface finishing was not damaged – the damages should be eliminated to prevent the surface against deterioration caused by corrosion!

- The EA requires just an insignificant service. The reliable operation is determined by the correct putting into operation.
- The service of the EA results from the operation conditions and generally consists in treating the information for subsequent performing of a required function. The EA can be controlled by remote control electrically or manually on the place of their installation. The manual control is available with a hand wheel.
- The service staff should arrange the required maintenance and prevent the actuator during operation against impacts of environment and climate what exceed the frame of allowed influences stated in the Chapter "Operation Conditions".
- It is necessary to avoid overheating of the EA surface, exceeding of parameters stated on the nameplate and abnormal vibrations of the EA.

Manual control:

- If the manual control is needed (adjustment, function checking, failures etc.) the staff can reset the regulated member using the handwheel. While rotating the handwheel clockwise the output element moves in the direction "CLOSING".

5.2 Maintenance - extent and periodicity

During inspections and maintenance is needed to tighten all screws and nuts that affect the tightness and coverage. Similarly, once a year should be checked and if necessary tighten mounting screws of the terminal wires and assuring of the slip-on joints with wires.

The interval between two preventive inspections is four years.

The replacement of cover gaskets and gasket of an oil filling is needed in case of damage or after 6 years of the operation.

The grease in the supplied actuators is designed for the lifetime of the product.

It is not necessary to change the grease during the operation of the actuator.

During inspection, replace the sealing O-ring (see Chapter 6) between the bottom and top cover - replace with original O-ring from manufacturer.

Lubrication:

- - gear part - in versions for climate with temperatures -25°C till +55°C – grease HF 401/0 (GLEIT-μ) resp. GLEITMO 585 K
- in versions for climate with temperatures -50°C till +40°C grease ISOFLEX TOPAS AK 50
- in versions for climate with temperatures -60°C till +40°C grease DISCOR R-EP 000.



Lubrication of the valve stem is independent on maintenance of the EA!

After every potential flooding of the product check, whether there is no water inside. After eventual water penetration, dry the product before repeated putting into operation and replace damaged sealings, resp. other parts of EA. identically check also tightness of cable bushings and replace them, if they are damaged.

- Every six months it is recommended to perform one check move in frame of adjusted operation stroke to verify reliability of functioning with setting back to the original position.
- If the audit rules do not determine else the inspection of EA is performed ones a year and tightening of all connecting and grounded screws have to be checked to avoid overheating.
- After 6 months from putting of EA into operation and once a year it is recommended to check tightening of fixing screws between the EA and the valve. (Tighten the screws with the cross system.)
 - While connecting and disconnecting of the EA check the tightness of cable glands – those with damaged sealings should be replaced by new ones of the approved type!



- Keep the EA clean and take care about removing impurities and dust. The cleaning has to be performed regularly according to the operation possibilities and requirements.

5.3 Troubleshooting

- In case of a mains failure the EA stands in the position where it was before the failure occurred. If needed the EA can be reset using the manual control (with the handwheel). When necessary EA can be manually operated (hand wheel), at doing this, pay attention to keep the movement of the EA output part within the range of the set stroke so as to avoid losing the adjustment of the limit position switches or position transmitter or regulator. After supply voltage recovery EA is prepared for operation.
- In case of a failure of a part of the EA the part can be replaced by a new one. The exchange is to be committed by the producer or a contracted service firm.
- In case of an EA failure, which cannot be eliminated directly in operation, follow instructions for under-guaranty and after-guaranty service.

Failure	Cause	Troubleshoot
There are no revolutions of motor rotor when operating the push-buttons.	1. No voltage on the electric motor connectors.	Check connection and voltage presence.
	2. No voltage on the control part.	Check connection of the control part.
The EA fails to stop at the limit positions.	1. Incorrect setting-up of the switches.	Perform adjustment.
	2. The microswitch is defective	Replace the microswitch for a new one and adjust.
The EA stops at the mid-position.	There is an obstacle in the valve or part of it seizes.	Perform reversing of the EA, move it to the original direction and, in the case that the failure repeats, repair the armature.
There is no indication of reaching these positions in the final positions.	1. The LEDs fail to operate.	Replace the LEDs for new ones.
	2. Incorrect adjustment of the position signal switches.	Adjust the position signal switches.
		In case that some EA failures still remain, contact the service centres.

- *Note: If the EA has to be dismantled follow the procedure of the Chapter "Dismantling"*



The EA can be dismantled to be repair purpose by qualified and trainer persons only! The training can be preformed by the producer or by a contracted service firm.

6. Accessories and Spare Parts

As accessories the **handwheel** is packed with the product.

6.1 List of the Spare Parts

Table 8: Spare Parts

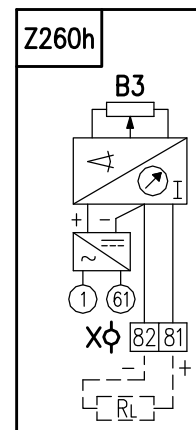
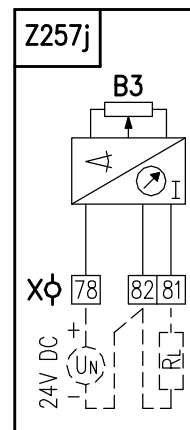
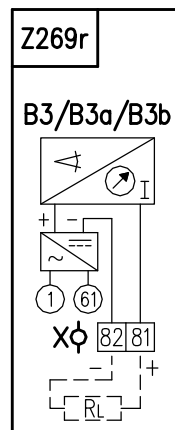
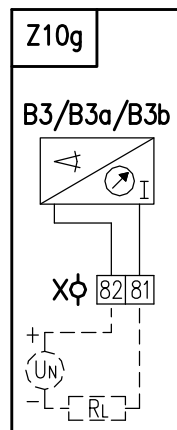
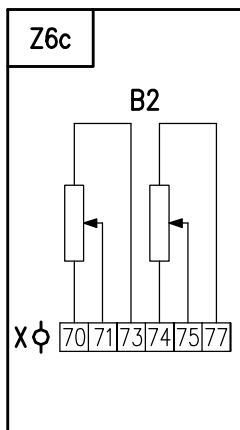
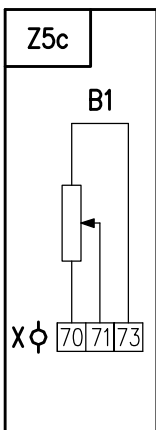
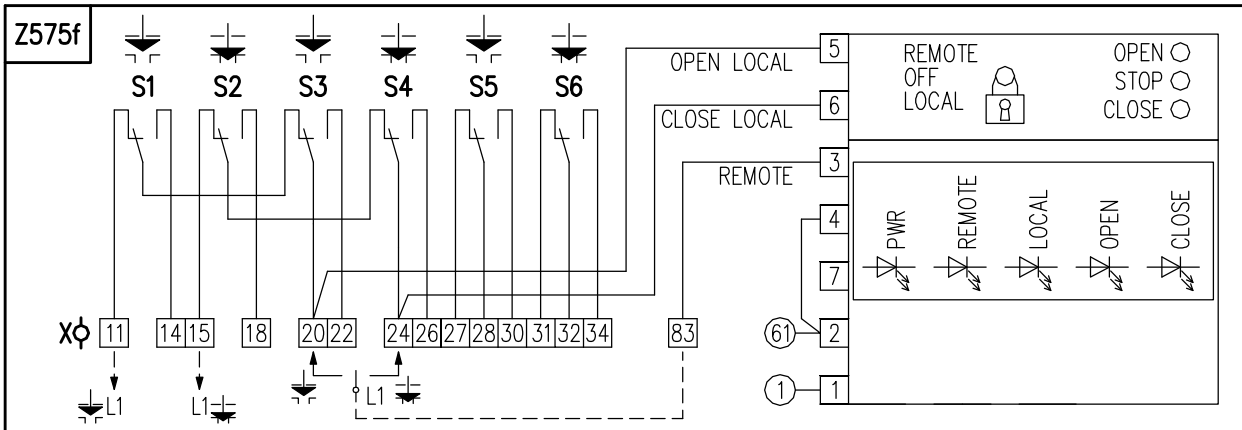
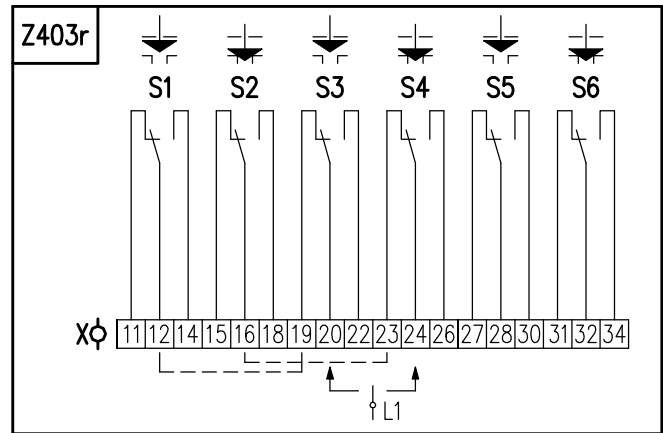
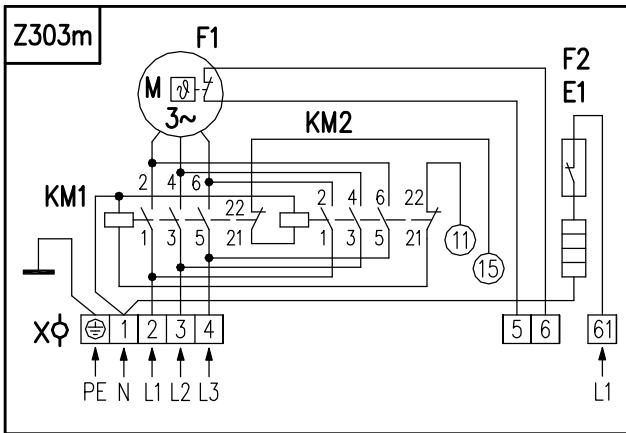
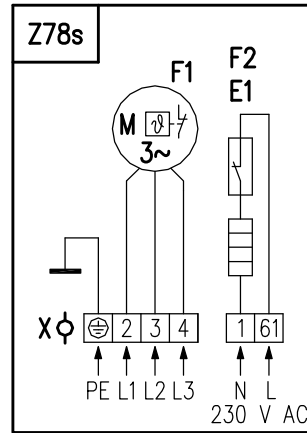
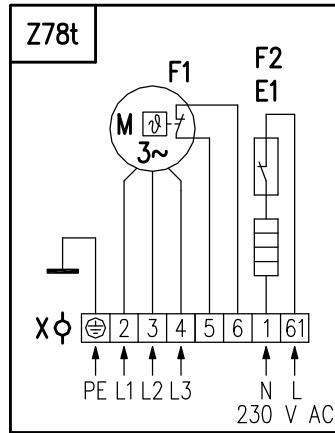
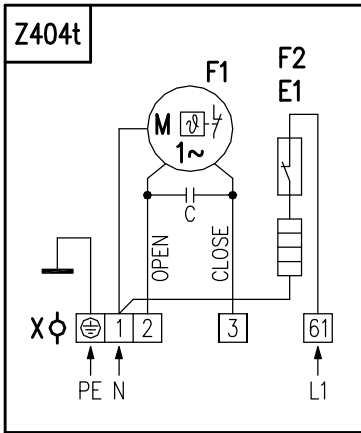
Spare part	Order Nr.	Position	Figure
Electric motor; 13,8 W; 230 V; (UP 0)	63 592 408	2	1
Electric motor; 13,8 W; 24 VAC; (UP 0)	63 592 413	2	1
Electric motor; 53 W; 24 VAC; (UP 1)	63 592 XXX	2	1
Electric motor; 100 W; 24 VAC; (UP 2)	63 592 XXX	2	1
Electric motor; 40 W/90 VA; 230V AC; (UP 1)	63 592 076	2	1
Electric motor; 40 W/110 VA; 3x400V AC; 3x415 V AC, (UP 1)	63 592 054	2	1
Electric motor; 120 W/228VA; 230V AC; (UP 2)	63 592 394	2	1
Electric motor; 60 W/120VA; 230V AC; (UP 2)	63 592 322	2	1
Electric motor; 20 W/75VA; 230V AC; (UP 2)	63 592 118	1	1
Electric motor; 180 W/300VA; 3x400V AC; 3x415 V AC, (UP 2)	63 592 330	2	1
Electric motor; 90 W/150VA; 3x400V AC; (UP 2)	63 592 328	2	1
Electric motor; 13,8 W/14,2W; 120 V AC; 50Hz /60Hz; (UP 0)	63 592 412	2	1
Electric motor; 40 W/90 VA; 115 V AC, 60 Hz; (UP 1)	63 592 XXX	2	1
Electric motor; 25 W/; 120 V AC, 60 Hz; (UP 2)	63 592 XXX	2	1
Electric motor; 70 W/125VA; 120 V AC, 60 Hz; (UP 2)	63 592 XXX	2	1
Electric motor; 120 W/228VA; 120 V AC, 60 Hz; (UP 2)	63 592 XXX	2	1
Electric motor; 7,5 W; 3x400 V AC; 50Hz; 3x400V AC; (UP 0)	63 592 XXX	2	1
Electric motor; 6,2 W; 3x400 V AC; 60Hz; 3x400V AC; (UP 0)	63 592 XXX	2	1
Electric motor; 6,5 W; 3x400 V AC; 50Hz; 3x400V AC; (UP 0)	63 592 XXX	2	1
Electric motor; 7 W; 3x400 V AC; 60Hz; 3x400V AC; (UP 0)	63 592 XXX	2	1
Electric motor; 15 W; 3x400 V AC; 50Hz; 3x400V AC; (UP 0)	63 592 XXX	2	1
Electric motor; 13 W; 3x400 V AC; 60Hz; 3x400V AC; (UP 0)	63 592 XXX	2	1
Capacitor 0,82μF (UP 0)	63 540 002 63 540 007	2	1
Capacitor 82μF (UP 0)	63 540 006 63 540 003	2	1
Capacitor 5μF (UP 1)	63 540 001	2	1
Capacitor 7μF (UP 2, UP 2.4, UP 2.5)	63 540 181	2	1
Capacitor 8μF (UP 2, UP 2.4, UP 2.5)	Motor component	2	1
Capacitor 3,3μF (UP 0)	63 542 038	2	1
Capacitor 9μF (UP 1)	Motor component	2	1
Microswitch DB 6G A1LB (UP 0)	64 051 466	S3,S4,S5,	3a
Microswitch DB3C-A1 (pozlátené kontakty) (UP 0)	64 051 200	S3,S4,S5,	3a
Microswitch D443-S1LD s rolničkou (UP 2)	64 051 737	24,25,26,2	3
Microswitch D383-Q3RA s rolničkou (UP1, UP 2)	64 051 738	24,25,26,2	3
Microswitch D413-V3 RA (pozlátené kontakty) s rolničkou (UP 1, UP 2)	64 051 470	24,25,26,2	3
Capacitive transmitter CPT 1	64 051 499	10	7
Resistant wire transmitter (potentiometer) RP19; 1x100	64 051 812	5	4
Resistant wire transmitter (potentiometer) RP19; 1x2000	64 051 827	5	4
Resistant wire transmitter (potentiometer) RP19; 2x100	64 051 814	5	4
Resistant wire transmitter (potentiometer) RP19; 2x2000	64 051 825	5	4
Resistant wire transmitter (potentiometer) PL 240; 5000	64 051 819	5	4
Transmitter DCPT3M	64 051 XXX	-	8
Power supply DX3004.P24	64 051 184	-	-
Ring 134,5x3 SMS 1586; BS 4518 (UL 0)	62 732 154	-	-
Ring 180x3 AS 568 B/BS 1806 (UL 1)	62 732 155	-	-
Ring 202,79x3,53 AS 568 B/BS 1806 (UL 2)	62 732 156	-	-
Ring 105 x 3	62 732 390	-	-

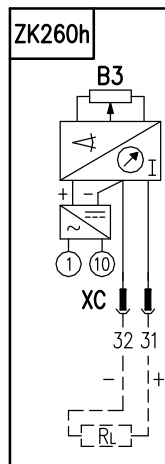
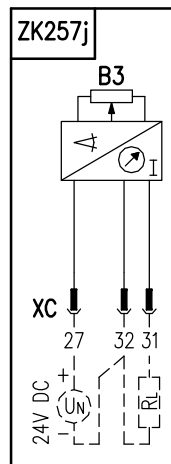
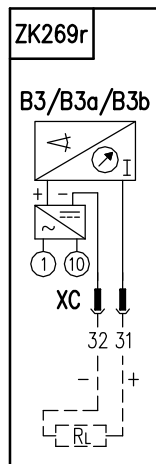
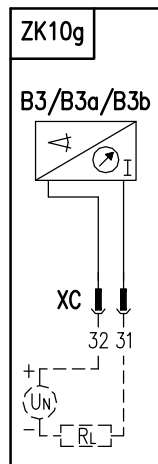
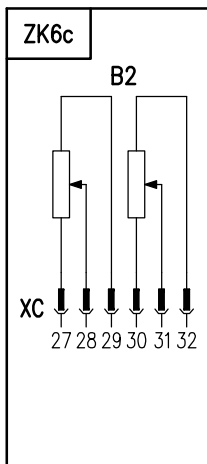
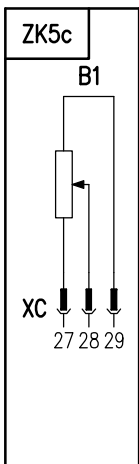
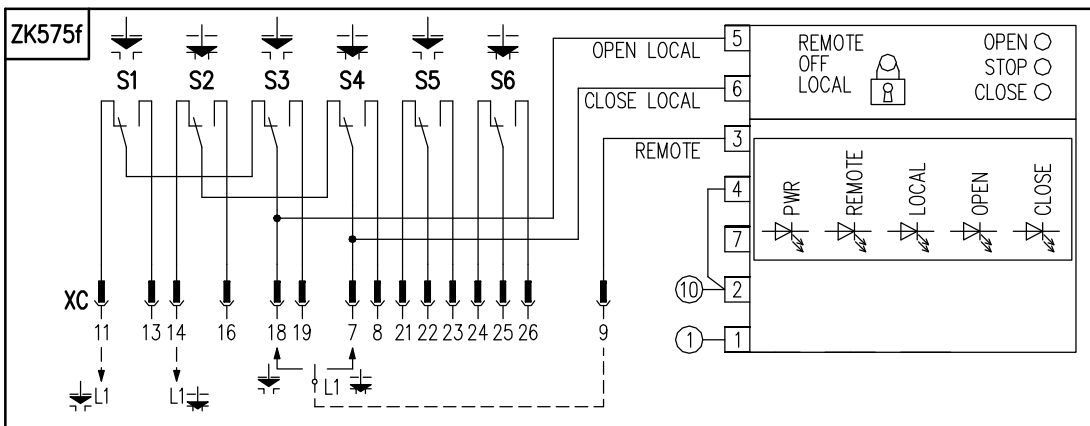
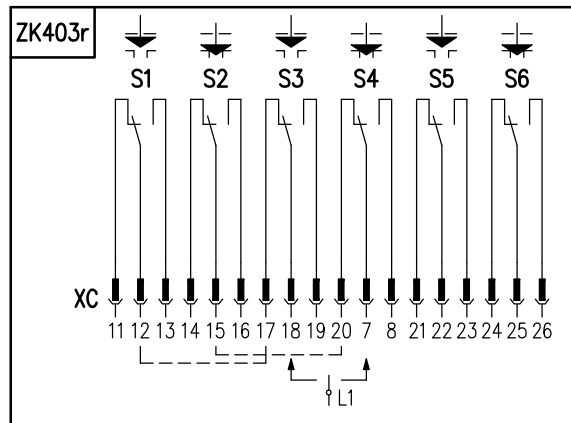
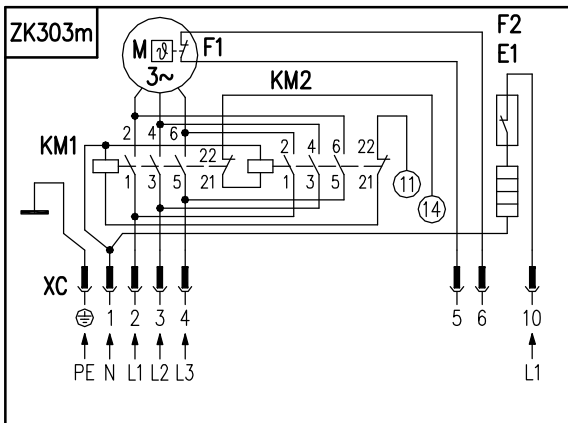
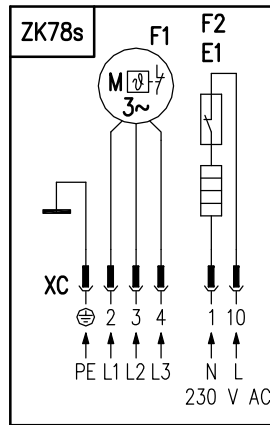
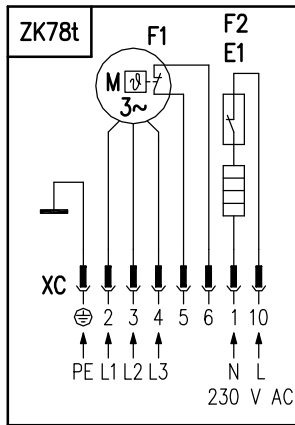
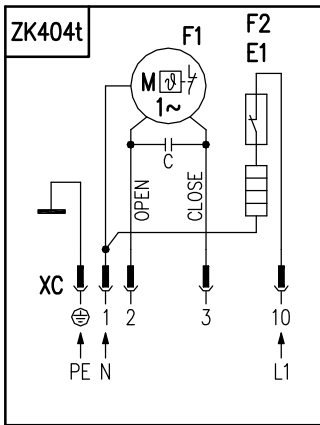


The disassembly of EA for the purpose of repair is possible only for the manufacturer!

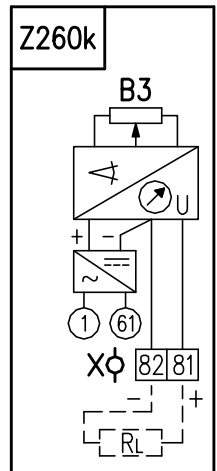
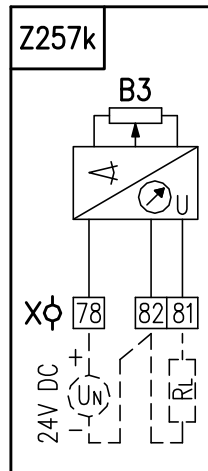
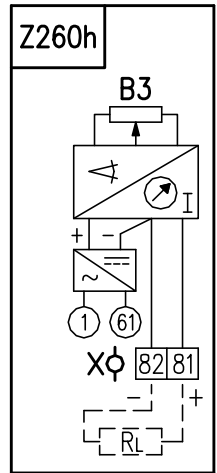
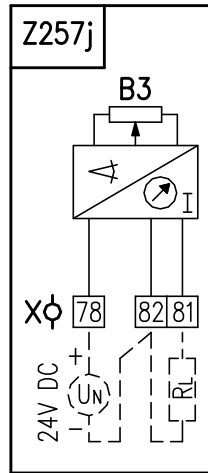
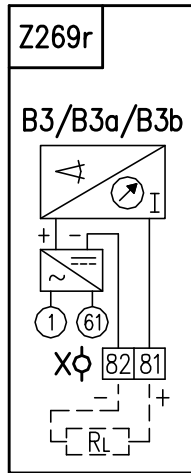
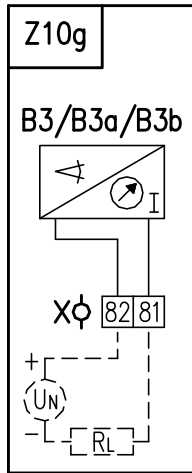
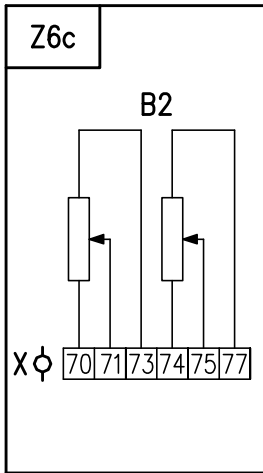
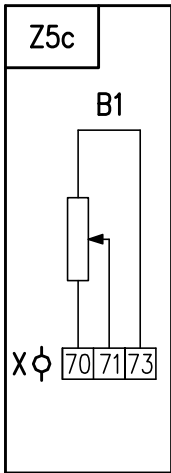
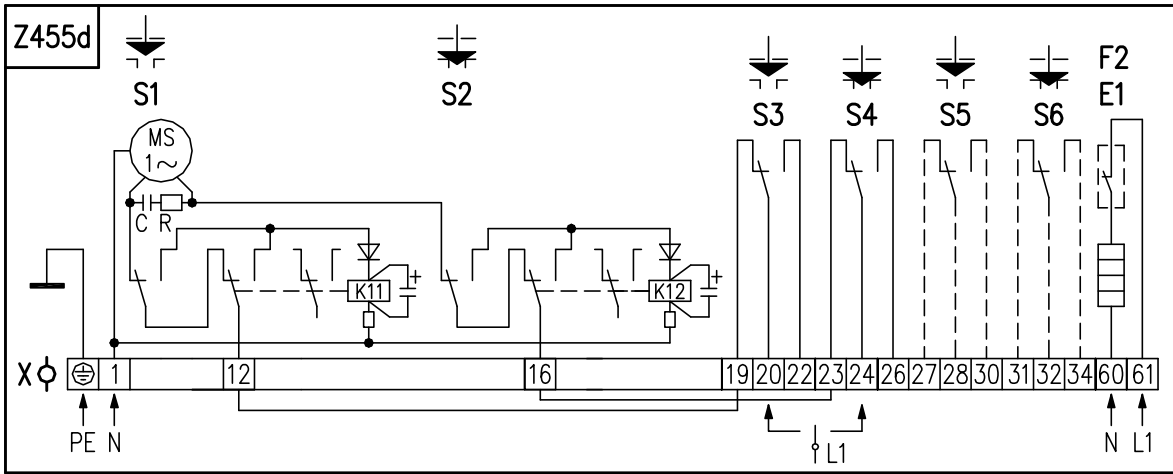
7. Enclosures

7.1 Wiring diagrams UP 1, UP 2, UP 2.4, UP 2.5

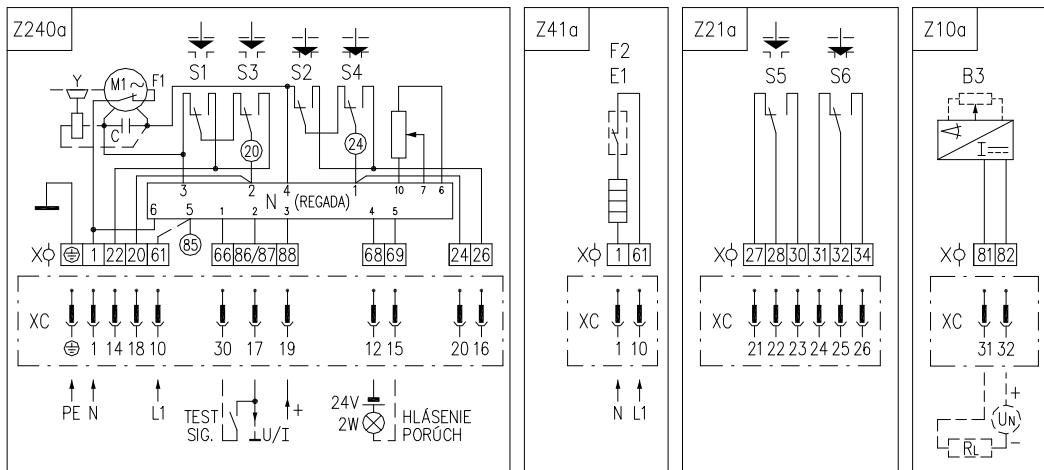




Wiring diagrams UP 0



7.2 Wiring diagrams electric actuator UP1, UP 2, UP 2.4, UP 2.5 with controller



Legend:

- Z5c, ZK5c..... wiring diagram of single resistant transmitter
- Z6c, ZK6c..... wiring diagram of double resistant transmitter
- Z10a, Z10g, ZK10g.... wiring diagram of resistive with current controller or capacitive transmitter - 2 - wire without supply
- Z455d, ZK455d wiring diagram of electric motor with thrust and position switch and with space heater
- Z78s, ZK78s, wiring diagram of 3-phase electric motor and space heater
- Z78t, ZK78t, wiring diagram of 3-phase electric motor and space heater
- Z303m, ZK303m..... wiring diagram of EA 2 with 3~ phase electric motor with reverse contactor
- Z257j, ZK257j 3-wire version of EPV - without power supply connection
- Z260h, ZK260h 3-wire version of EPV – with power supply connection
- Z269r, ZK269r..... 2-wire version of EPV – with power supply connection
- Z403r, ZK403r..... wiring diagram of torque and position switches
- Z404t, ZK404t..... wiring diagram of the EA UP 2-2.5 with 1~ phase electric motor
- Z575f, ZK575f wiring diagram of torque and position switches and local control.
- Z241a wiring diagram with controller with current feedback for 1-phase electric motor
- Z41a wiring diagram of space heater and space heater’s thermal switch connection
- Z21a wiring diagram of additional position switches connection

- B1 resistive transmitter (potentiometer) single
- B2 resistive transmitter (potentiometer) double
- B3 capacitive transmitter
- S1 torque switch "open"
- S2 torque switch "closed"
- S3 position switch "open"
- S4 position switch "closed"
- S5 additional position switch "open"
- S6 additional position switch "closed"
- ReS11 relay of torque of switch S1
- ReS12 relay of torque of switch S2
- M, MS electric motor
- C capacitor

- Y brake of electric motor (valid for UP 2)
- E1 space heater
- K11, K12 coil of relay
- KM1, KM2 reverse contactor (valid for EA UP 2, UP 2.4, UP 2.5)

- F1 electric motor thermal protection
- F2 space heater thermal switch
- X, X2 terminal board
- XC connector (is not valid for these types EA)

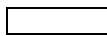
- I/U output current (voltage) signal
- R reducing resistor (valid for EA UP0 with voltage 230 VAC)
- RL loading resistor

Note 1: Thermal protection of single-phase electric motor (Z404) is standardly built-in in electric motor, on the neutral wire.
Note 2: Torque switching is not fitted with mechanical interlocking device.
Note 3: Jumpers 12-19 and 16-23 terminal board in wiring diagram Z455d are standardly delivered from the producer.

7.3 Operation Logic Diagram of switches and relays

Switch	Terminal Nr.	open	Operating stroke	closed
S1	11 (M2) - 12			
	12 - 14*			
S2	15 (M3) - 16			
	16 - 18*			
S3	19 - 20			
	20 - 22			
S4	23 - 24			
	24 - 26			
S5	27 - 28			
	28 - 30			
S6	31 - 32			
	32 - 34			
ReS11	35 - 36			
	36 - 38			
ReS12	39 - 40			
	40 - 42			

 Contact connected

 Contact disconnected

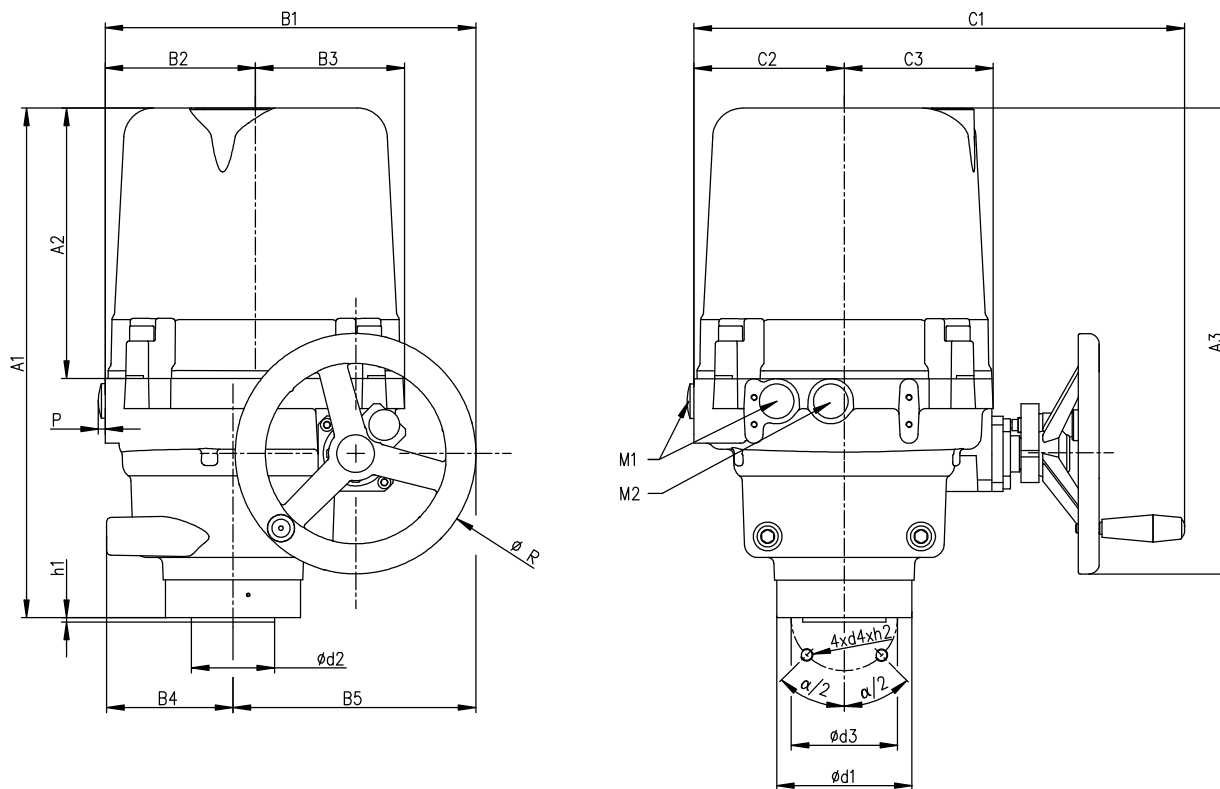
Note 1: Signaling from switches S5, S6 for EA UP 0, is possible from 50% of the maximum operating stroke adjusted (mentioned in the nameplate) before end position. If

Note 2: Switches contacts brought out according to exact wiring diagram

7.4 Dimensional drawings

Electric part-turn actuators Unimact **UP 0, UP 1, UP 2**

P-2111

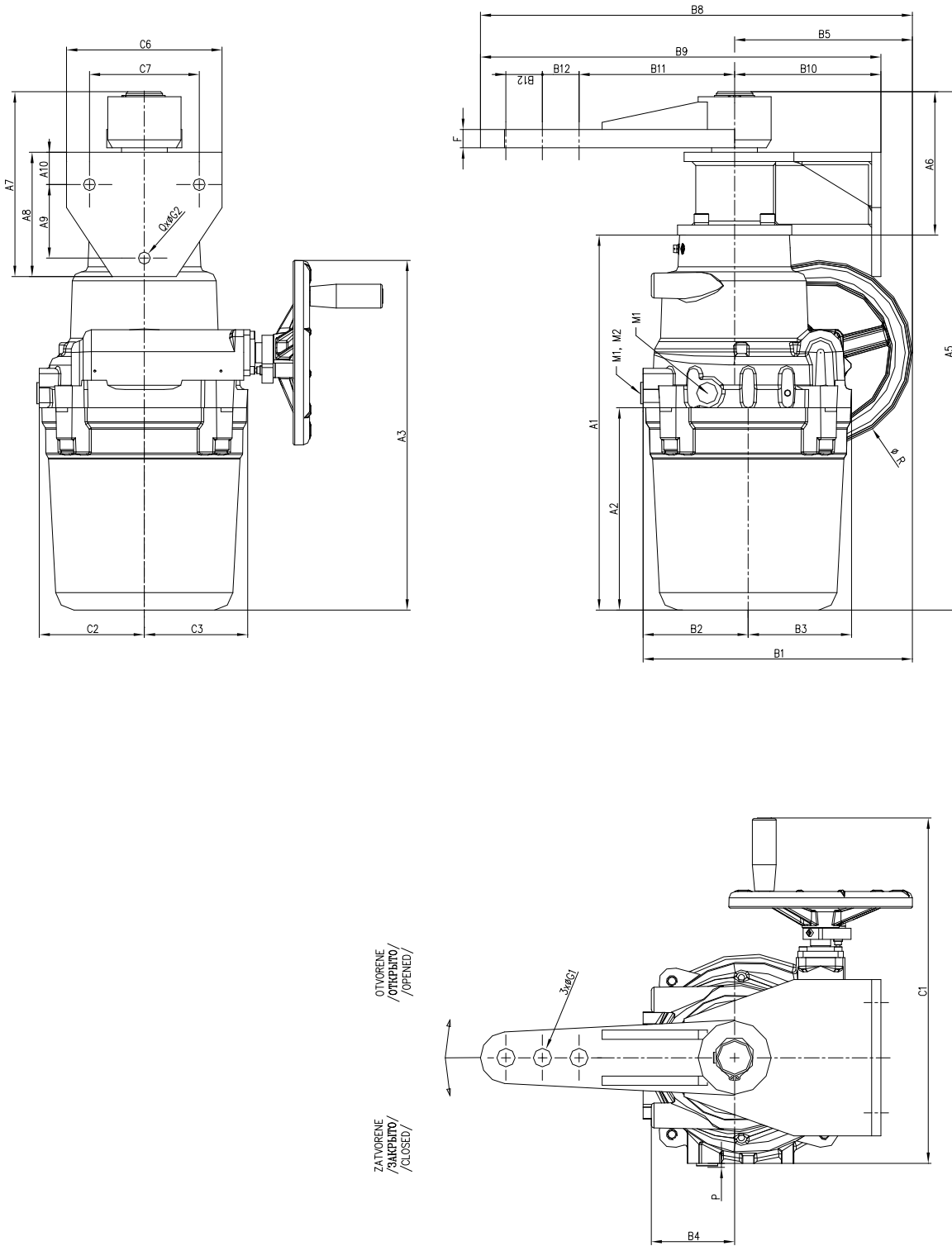


Hlavné rozmery / Основные размеры / Main dimensions

		A1	A2	A3	B1	B2	B3	B4	B5	C1	C2	C3	M1	M2	P	R	$\alpha/2$	d1	d2	d3	d4	h1	h2
UP 0	F04	253	146	262	220	82	80	65	146	283	82	75	M16x1.5	-	3	160	45°	65	-	42	M5	-	12
	F05																	65	35	50	M6	3	
UP 1	F05	354	180	310	247	100	99	84	162	326	100	98	M20x1.5	M20x1.5	4.5	160	45°	90	-	50	M6	-	20
	F07	339																		70	M8		
UP 2	F07/F10	408	220	380	295	115	112	91	195	376	115	113	M20x1.5	M20x1.5	4.5	200	45°	120	-	70/102	M8/M10	-	16/20

Electric part-turn actuators Unimact UP 0, UP 1, UP – version stand and lever

P-2110

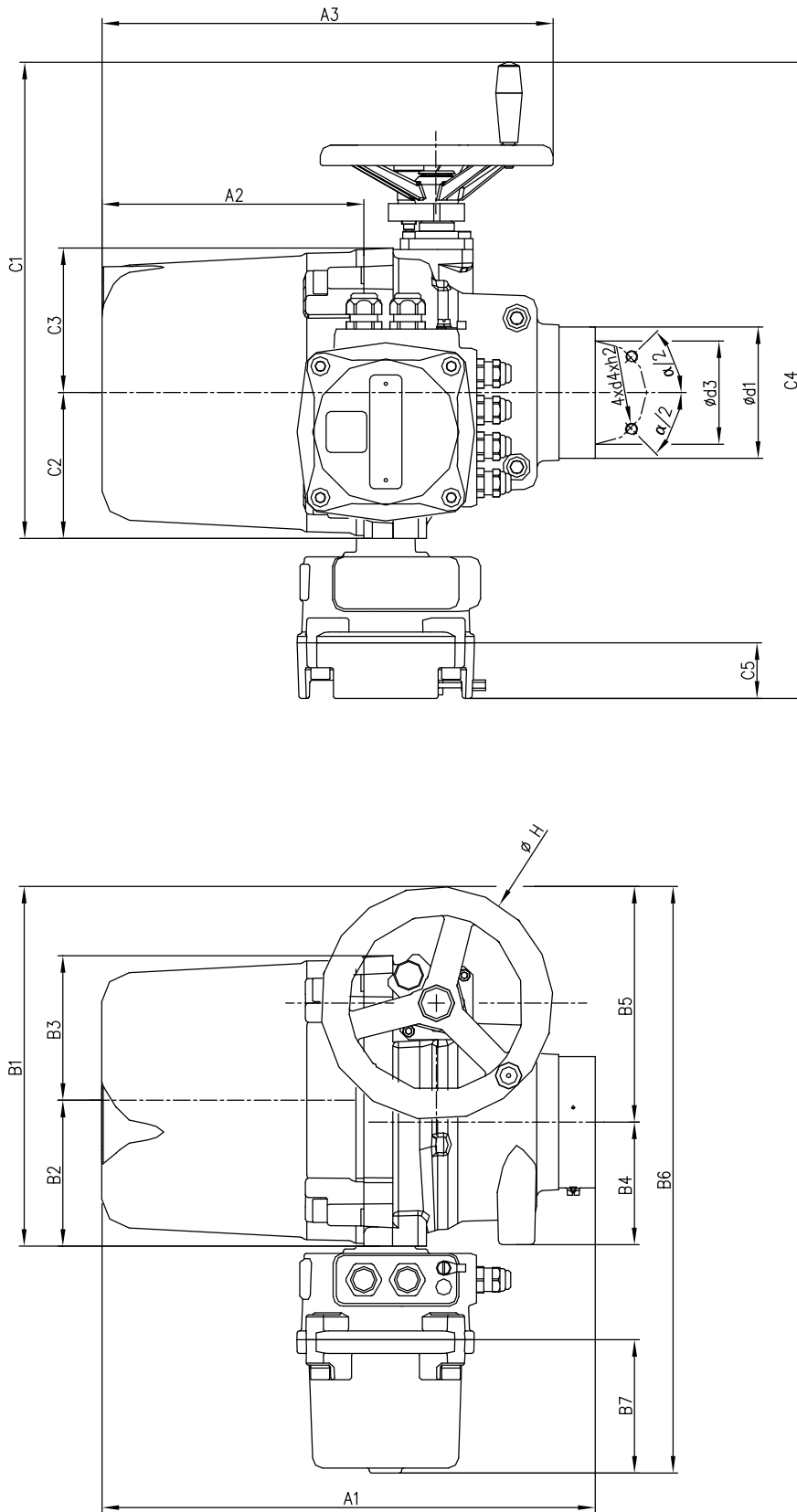


Hlavné rozmery / Основные размеры / Main dimensions

	A1	A2	A3	A5	A6	A7	A8	A9	A10	B1	B2	B3	B4	B5	B8	B9	B10	B11	B12	C1	C2	C3	C6	C7	F	G1	G2	M1	M2	P	Q	R
UP 0	253	146	262	309	56	86	50	-	38	220	82	80	65	146	241	335	160	120	20	283	82	75	130	80	14	13	10.5	M16x1.5	-	3	2	160
UP 1	339	180	310	404	65	95	58	-	28	247	100	99	84	162	337	375	200	120	20	326	100	99	160	90	14	13	12.6	M20x1.5	M20x1.5	4.5	2	160
UP 2	408	220	380	564	156	201	135	80	35	295	115	113	91	195	473	438	160	170	40	376	115	113	170	120	20	13	M20x1.5	M20x1.5	4.5	3	200	

Electric part-turn actuators Unimact UP 1, UP 2 – version with local control

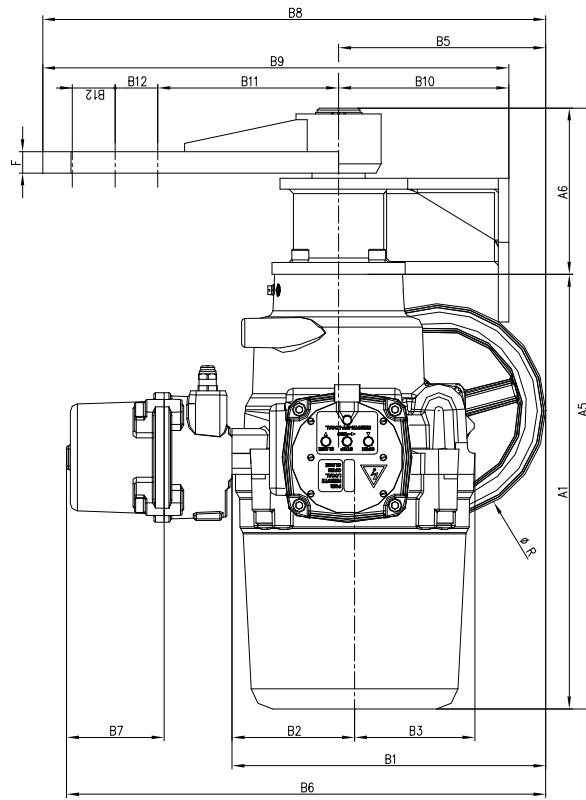
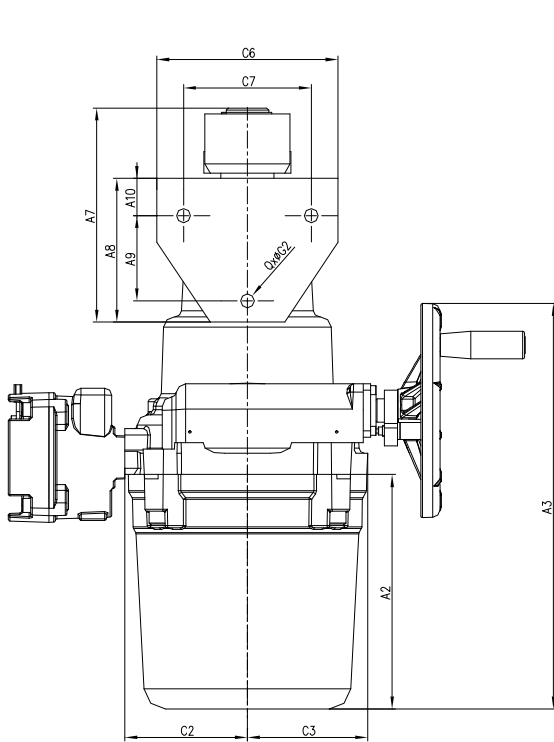
P-2113



Главные размеры / Основные размеры / Main dimensions

	A1	A2	A3	B1	B2	B3	B4	B5	B6	B7	C1	C2	C3	C4	C5	$\alpha/2$	d1	d3	d4	h2
UP 1	F05	180	310	247	100	99	84	162	402	92	326	100	98	436	38	45°	90	50	M6	20
	F07	339															70	70	M8	
UP 2	F07/F10	408	220	380	295	112	91	195	450	92	376	115	113	485	38	45°	120	70/102	M8/M10	16/20

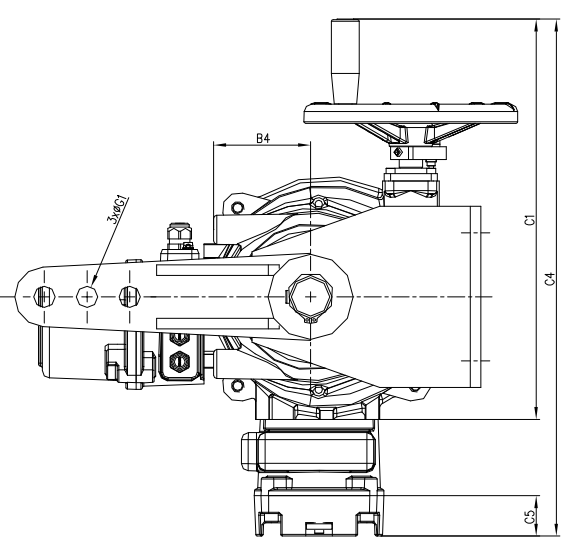
Electric part-turn actuators Unimact UP 1, UP 2 – version with local control, stand and lever



TVARŤ PŘÍPOJKAČIČI DIELCOV

True Case (Aa)		True Case (Bb)		True Case (Ccc)		True V (Dd1-Dd2)		True V (Ee)	
ISO	ISO	ISO	ISO	ISO	ISO	ISO	ISO	ISO	ISO
D-ax	Aax	U	Lox	Box	U	H-ax	Cax	U	V
D-14	A01	14	L-14	B01	11	H-14	C01	14	V-14
D-17	A02	17	L-17	B02	17	H-17	C02	17	V-17
D-19	A03	19	L-19	B03	19	H-19	C03	19	V-19
D-27	A04	27	L-27	B04	27	H-27	C04	27	V-27
D-31	A05	31	L-31	B05	31	H-31	C05	31	V-31
D-38	A06	38	L-38	B06	38	H-38	C06	38	V-38
D-42	A07	42	L-42	B07	42	H-42	C07	42	V-42
D-48	A08	48	L-48	B08	48	H-48	C08	48	V-48
D-54	A09	54	L-54	B09	54	H-54	C09	54	V-54
D-60	A10	60	L-60	B10	60	H-60	C10	60	V-60
D-66	A11	66	L-66	B11	66	H-66	C11	66	V-66
D-72	A12	72	L-72	B12	72	H-72	C12	72	V-72
D-78	A13	78	L-78	B13	78	H-78	C13	78	V-78
D-84	A14	84	L-84	B14	84	H-84	C14	84	V-84
D-90	A15	90	L-90	B15	90	H-90	C15	90	V-90
D-96	A16	96	L-96	B16	96	H-96	C16	96	V-96
D-102	A17	102	L-102	B17	102	H-102	C17	102	V-102
D-108	A18	108	L-108	B18	108	H-108	C18	108	V-108
D-114	A19	114	L-114	B19	114	H-114	C19	114	V-114
D-120	A20	120	L-120	B20	120	H-120	C20	120	V-120
D-126	A21	126	L-126	B21	126	H-126	C21	126	V-126
D-132	A22	132	L-132	B22	132	H-132	C22	132	V-132
D-138	A23	138	L-138	B23	138	H-138	C23	138	V-138
D-144	A24	144	L-144	B24	144	H-144	C24	144	V-144
D-150	A25	150	L-150	B25	150	H-150	C25	150	V-150
D-156	A26	156	L-156	B26	156	H-156	C26	156	V-156
D-162	A27	162	L-162	B27	162	H-162	C27	162	V-162
D-168	A28	168	L-168	B28	168	H-168	C28	168	V-168
D-174	A29	174	L-174	B29	174	H-174	C29	174	V-174
D-180	A30	180	L-180	B30	180	H-180	C30	180	V-180
D-186	A31	186	L-186	B31	186	H-186	C31	186	V-186
D-192	A32	192	L-192	B32	192	H-192	C32	192	V-192
D-198	A33	198	L-198	B33	198	H-198	C33	198	V-198
D-204	A34	204	L-204	B34	204	H-204	C34	204	V-204
D-210	A35	210	L-210	B35	210	H-210	C35	210	V-210
D-216	A36	216	L-216	B36	216	H-216	C36	216	V-216
D-222	A37	222	L-222	B37	222	H-222	C37	222	V-222
D-228	A38	228	L-228	B38	228	H-228	C38	228	V-228
D-234	A39	234	L-234	B39	234	H-234	C39	234	V-234
D-240	A40	240	L-240	B40	240	H-240	C40	240	V-240
D-246	A41	246	L-246	B41	246	H-246	C41	246	V-246
D-252	A42	252	L-252	B42	252	H-252	C42	252	V-252
D-258	A43	258	L-258	B43	258	H-258	C43	258	V-258
D-264	A44	264	L-264	B44	264	H-264	C44	264	V-264
D-270	A45	270	L-270	B45	270	H-270	C45	270	V-270
D-276	A46	276	L-276	B46	276	H-276	C46	276	V-276
D-282	A47	282	L-282	B47	282	H-282	C47	282	V-282
D-288	A48	288	L-288	B48	288	H-288	C48	288	V-288
D-294	A49	294	L-294	B49	294	H-294	C49	294	V-294
D-300	A50	300	L-300	B50	300	H-300	C50	300	V-300

ZATVORENE
/SHUTTED/
/CLOSED/

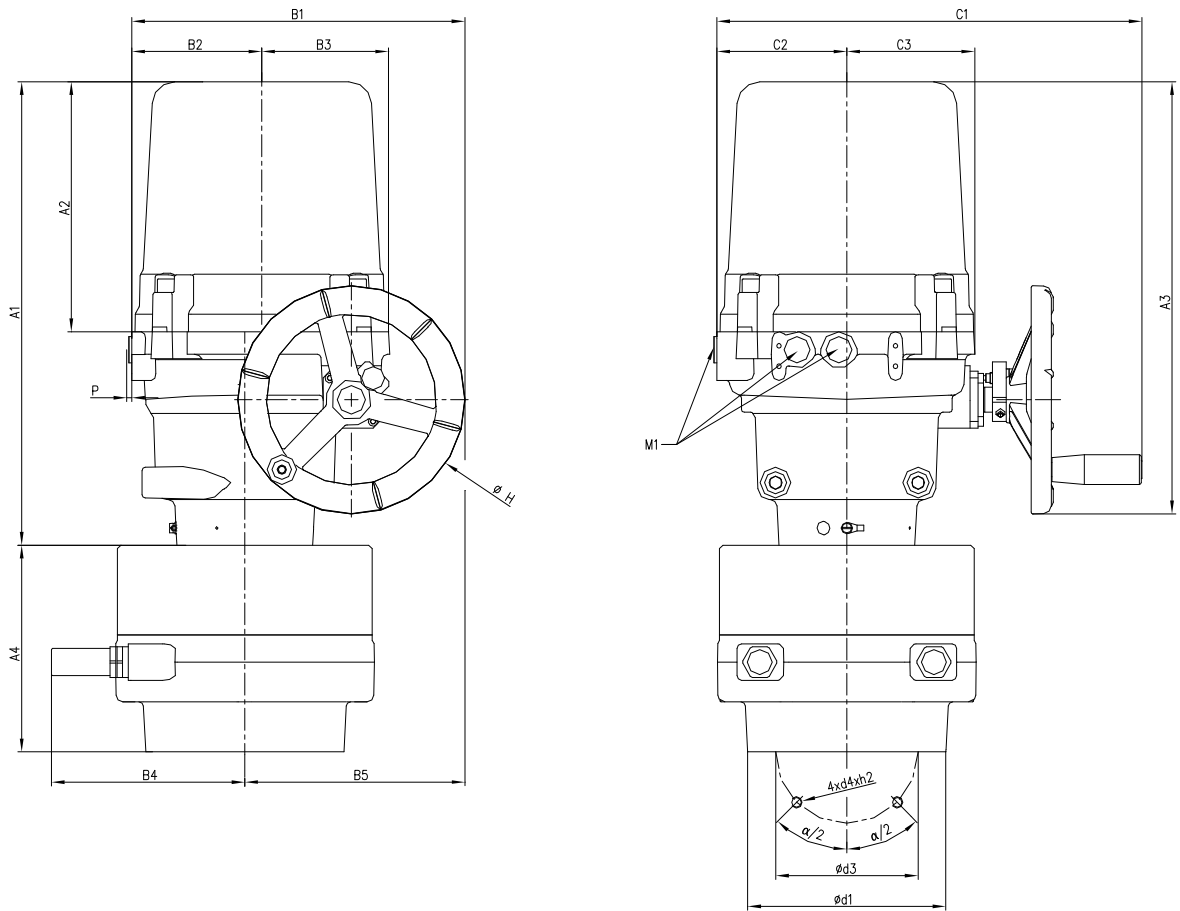


Hlavné rozmery / Основные размеры / Main dimensions

	A1	A2	A3	A5	A6	A7	A8	A9	A10	B1	B2	B3	B4	B5	B6	B7	B8	B9	B10	B11	B12	C1	C2	C3	C4	C5	C6	C7	F	G1	Q	R	
UP 1	339	180	310	404	65	95	58	-	28	247	100	99	84	162	402	92	337	375	200	120	20	326	100	99	436	38	160	90	14	13	12.6	2	160
UP 2	408	220	380	564	156	201	135	80	35	295	115	113	91	195	450	92	473	438	160	170	40	376	115	113	485	38	170	120	20	20	13	3	200

Electric part-turn actuators Unimact UP 2.4, UP 2.5

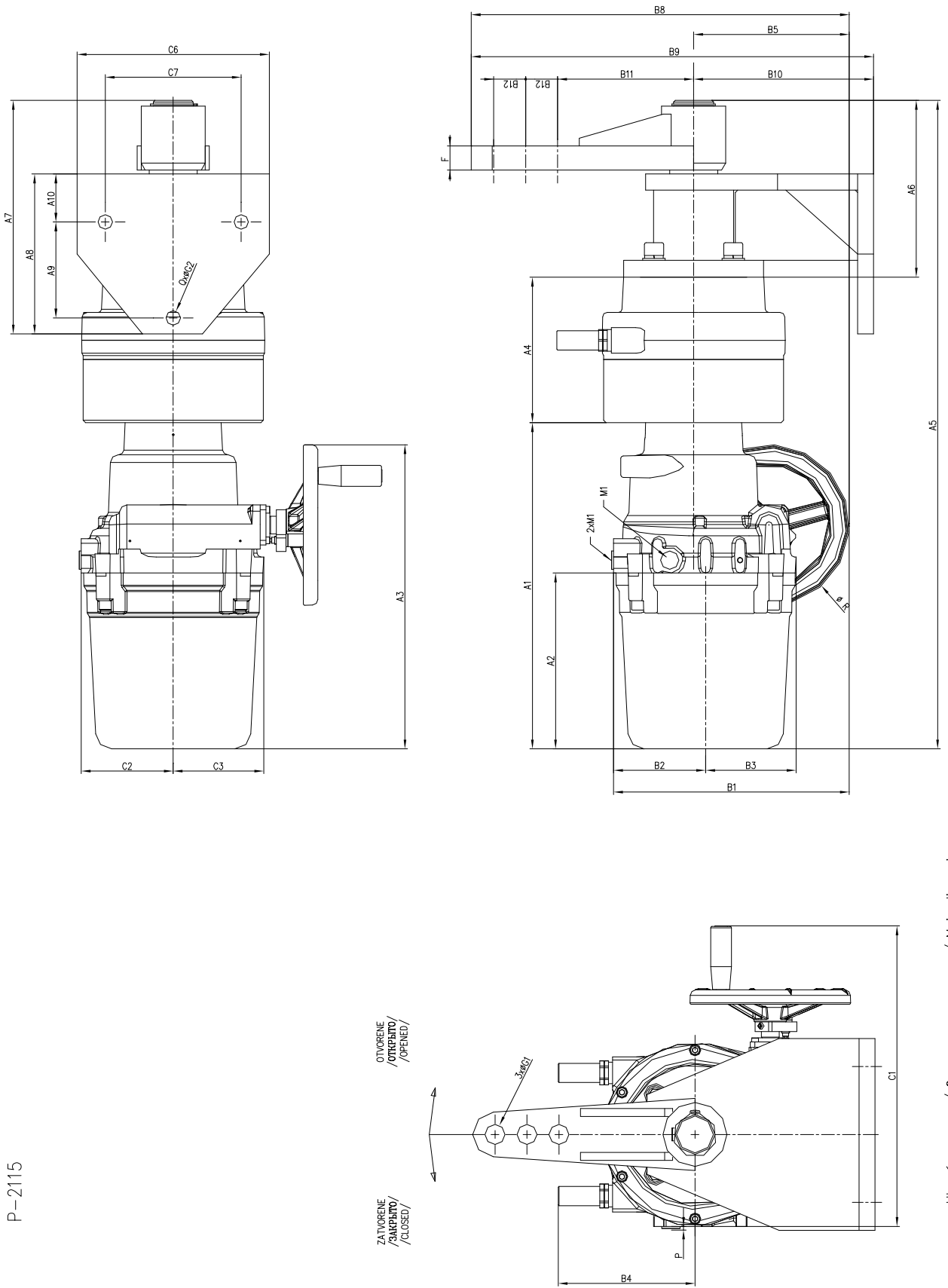
P-2112



Hlavní rozměry / Основные размеры / Main dimensions

		A1	A2	A3	A4	B1	B2	B3	B4	B5	C1	C2	C3	P	H	M1	$\alpha/2$	d1	d3	d4	h2
UP 2.4	F10/F12	408	220	380	134	295	115	112	131	195	376	115	113	4.5	200	M20x1.5	45°	150	102/125	M10/M12	20/26
UP 2.5	F10/F14	408	220	380	182	295	115	112	171	195	376	115	113	4.5	200	M20x1.5	45°	175	102/140	M10/M16	20/35
	125																		M12	26	

Electric part-turn actuators Unimact UP 2.4, UP 2.5 – version stand and lever



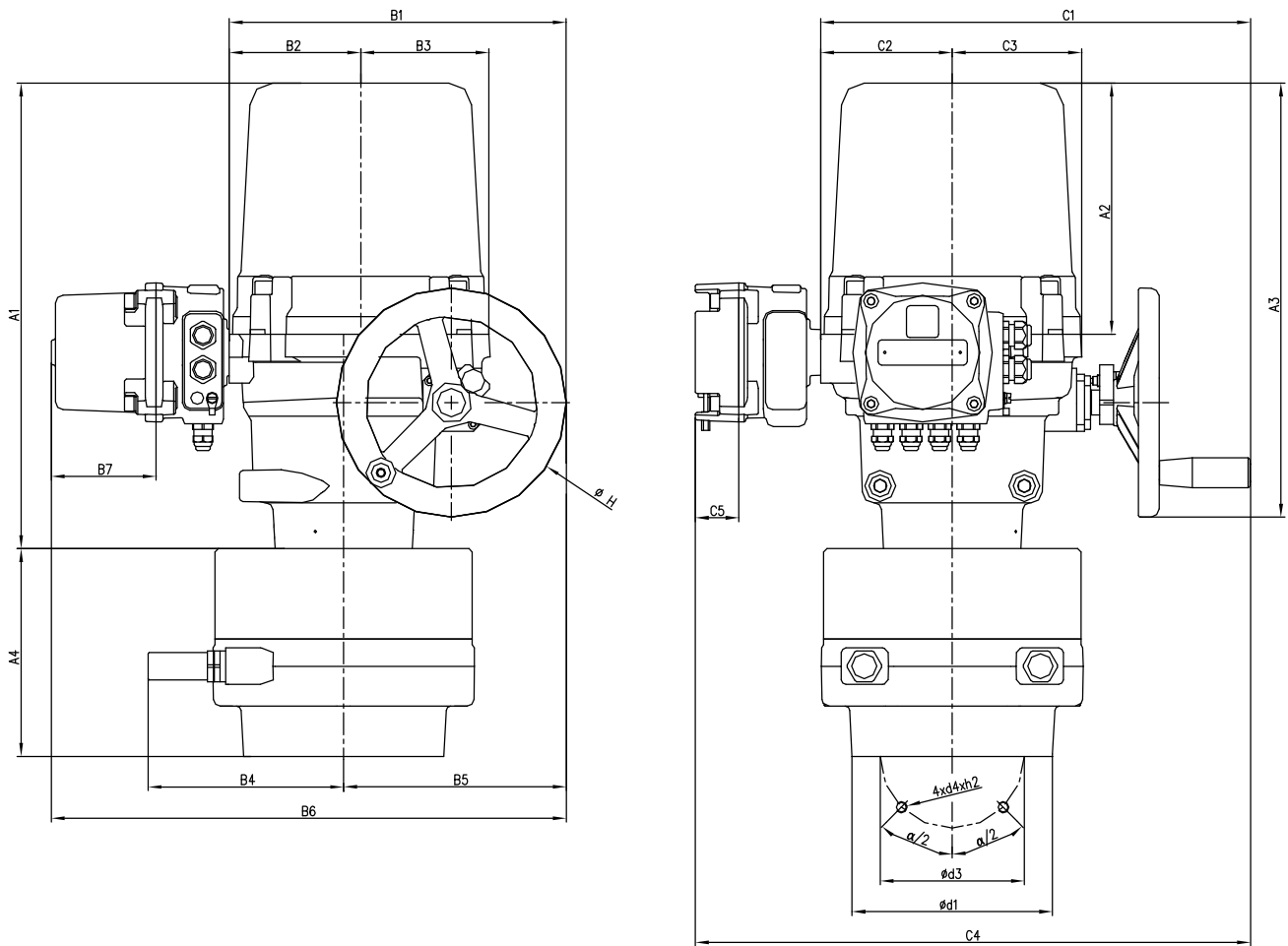
P-2115

Основные размеры / Main dimensions

	A1	A2	A3	A4	A5	A6	A7	A8	A9	A10	B1	B2	B3	B4	B5	B8	B9	B10	B11	B12	C1	C2	C3	C6	C7	F	G1	G2	M1	P	Q	R
UP 2.4	408	220	380	134	753	211	291	200	120	60	295	115	113	131	195	473	498	220	170	40	376	115	113	228	170	30	25	17	M20x1.5	4.5	3	200
UP 2.5	408	220	380	182	811	221	292	200	120	60	295	115	113	171	195	473	503	225	170	40	376	115	113	240	170	30	25	18	M20x1.5	4.5	3	200

Electric part-turn actuators Unimact UP 2.4, UP 2.5 – version with local control

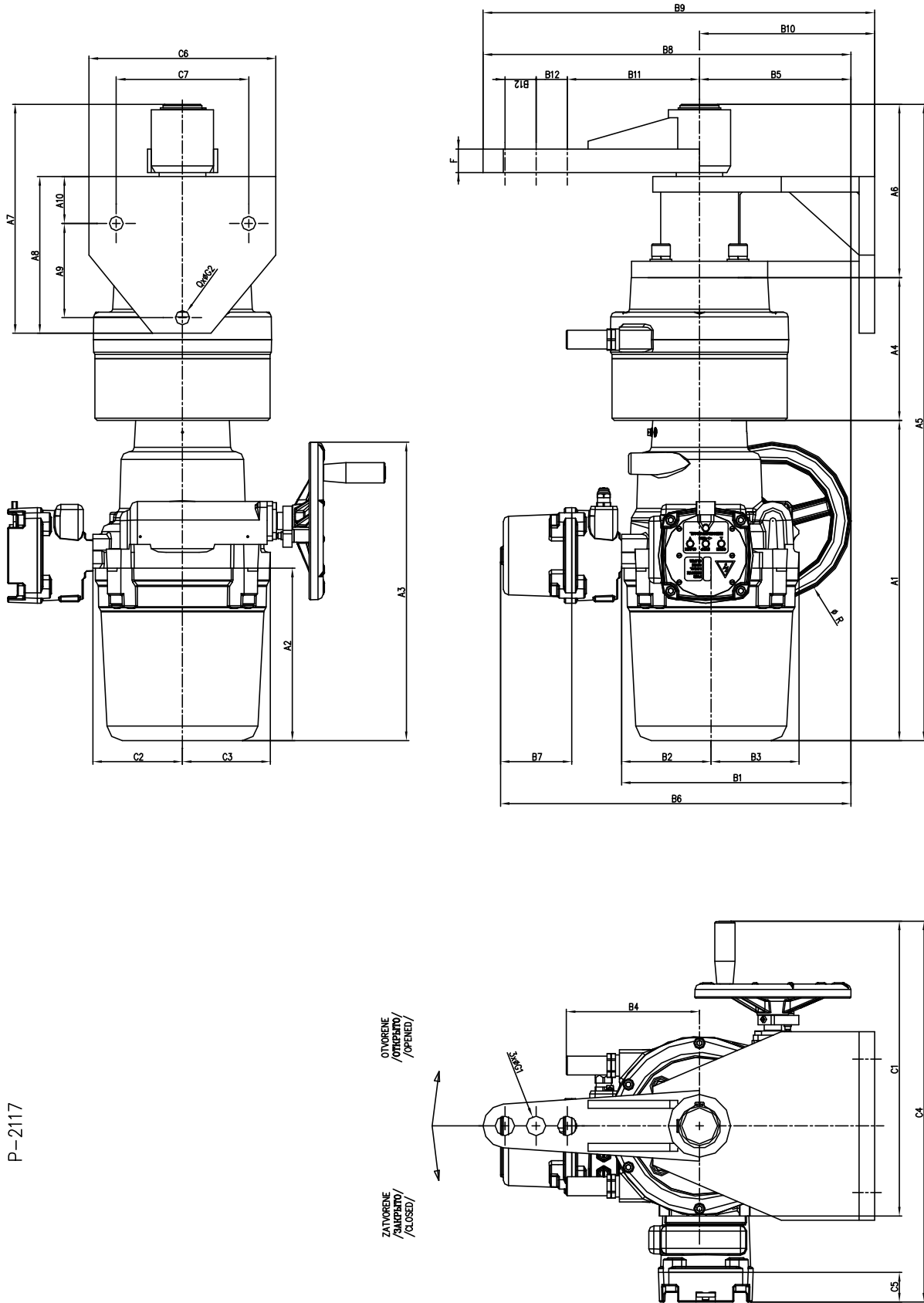
P-2114



Hlavné rozmery / Основные размеры / Main dimensions

		A1	A2	A3	A4	B1	B2	B3	B4	B5	B6	B7	C1	C2	C3	C4	C5	H	$\alpha/2$	d1	d3	d4	h2
UP 2.4	F10/F12	408	220	380	134	295	115	112	131	195	450	92	376	115	113	485	38	200	45°	150	102/125	M10/M12	25/30
UP 2.5	F10/F14	408	220	380	182	295	115	112	171	195	450	92	376	115	113	485	38	200	45°	175	102/140	M10/M16	20/35
	F12																				125	M12	26

Electric part-turn actuators Unimact UP 2.4, UP 2.5 – version with local control, stand and lever



P-2117

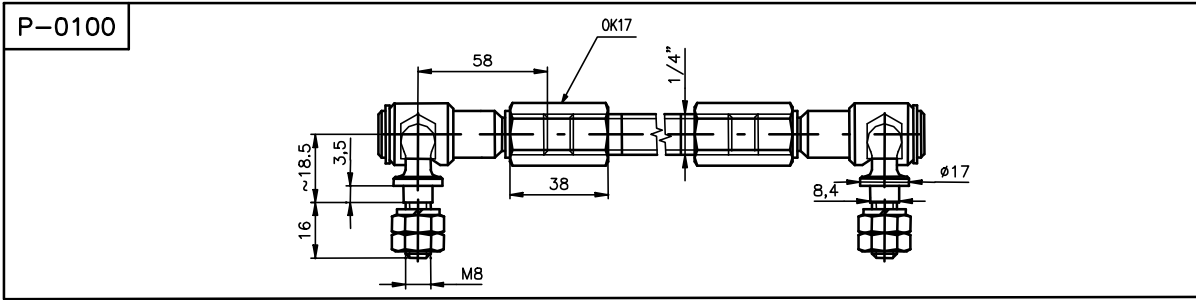
Hlavné rozmery / Основные размеры / Main dimensions

	A1	A2	A3	A4	A5	A6	A7	A8	A9	A10	B1	B2	B3	B4	B5	B6	B7	B8	B9	B10	B11	B12	C1	C2	C3	C4	C5	C6	C7	F	G1	G2	Q	R
UP 2.4	408	220	380	134	753	211	291	200	120	60	295	115	113	131	195	450	92	473	498	220	170	40	376	115	113	485	38	228	170	30	25	17	3	200
UP 2.5	408	220	380	182	811	221	292	200	120	60	295	115	113	171	195	450	92	473	503	225	170	40	376	115	113	485	38	240	170	30	25	18	3	200

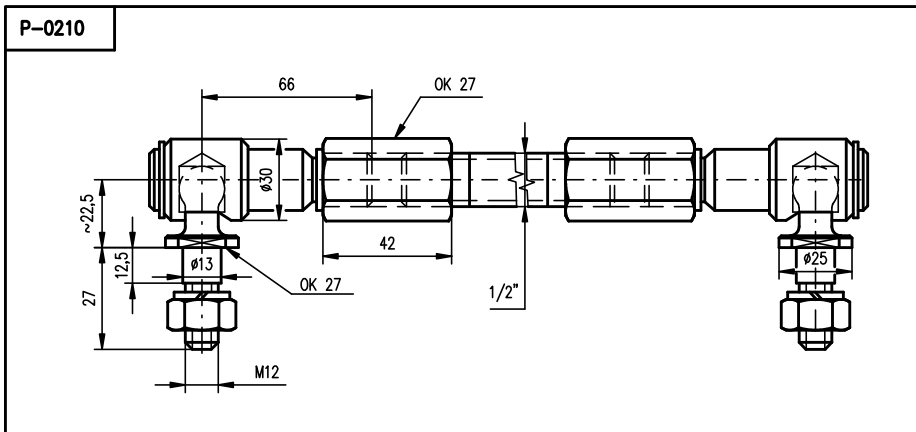
ТВАР ПРИРОЈОВАСЕНО ДИЕЛСА ПРЕС/ ФОРМА ПРИСОЈЕНИТЕЛНОЙ ДЕТАЛИ/ COUPLING SHAPE

UP 0		UP 1			UP 2			UP 2.4			UP 2.5		
		U	L5	U	L5	U	L5	U	L5	U	L5	U	L5
<p>0</p> <p>Z/3/C</p>	D-9	9		D-9	9	D-14	14	D-11	11	D-22	22		
	D-11	11	36	D-11	11	D-17	17	D-14	14	D-27	27		70
	D-14	14		D-12	12	D-19	19	D-16	16	D-36	36		
				D-14	14	D-22	22	D-17	17				
				D-16	16			D-22	22				
				D-17	17			D-27	27				
<p>TварL/видL/ShapeL</p>	L-9	9		L-9	9	L-14	14	L-11	11	L-22	22		
	L-11	11	36	L-11	11	L-17	17	L-14	14	L-27	27		70
	L-14	14		L-12	12	L-19	19	L-16	16	L-36	36		
				L-16	16	L-22	22	L-17	17				
				L-17	17			L-22	22				
								L-27	27				
<p>TварH/видH/ShapeH</p>	H-8	8		H-8	8	H-13	13	H-10	10	H-22	22		
	H-9	9	36	H-10	10	H-14	14	H-11	11	H-27	27		70
	H-11	11		H-11	11	H-17	17	H-13	13	H-36	36		
	H-11	11		H-13	13	H-19	19	H-14	14				
	H-14	14		H-14	14	H-22	22	H-16	16				
				H-17	17			H-17	17				
								H-19	19				
								H-22	22				
								H-27	27				
<p>TварV/видV/ShapeV</p>	V-12	12		V-17	17	V-17	17	V-17	17	V-42	42		
	V-14	14	36	V-18	18	V-20	20	V-18	18	V-50	50		70
	V-18	18		V-20	20	V-22	22	V-22	22	V-48	48		
				V-30	30	V-28	28	V-28	28	V-60	60		
						V-36	36	V-36	36	V-40	40		
						V-42	42	V-42	42				
								V-32,2	32,2				
								V-42	42				
								V-45,4	45,4				
								V-50	50				

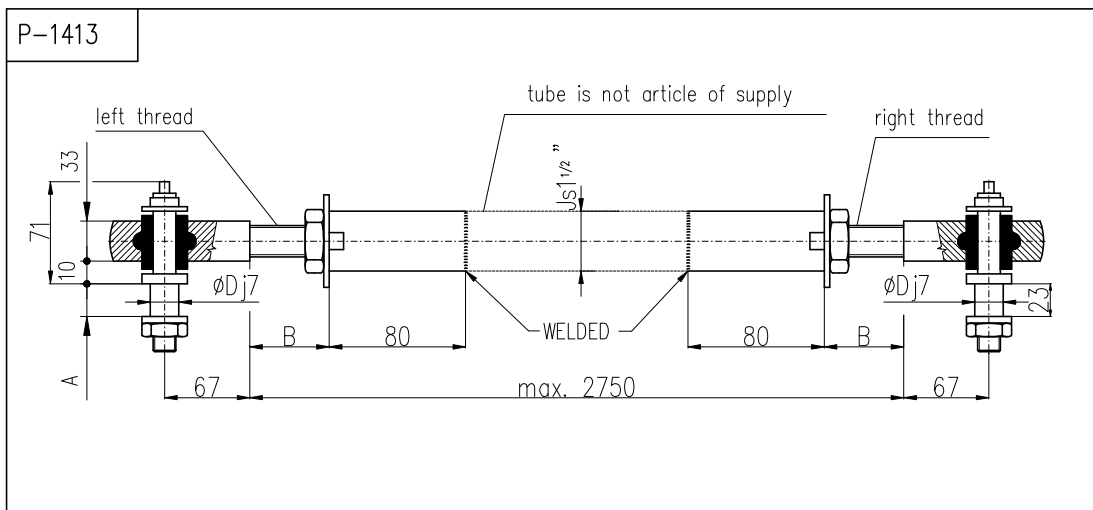
Pull-rod TV 160 (P-0100)



Pull-rod TV 360 (P-0210)



Pull-rod TV 40-1/20 a TV 50-1/25



Version	Pull-rod version	A	B	D
P-1413/A	TV 40-1/20	23	Max.50	20
P-1413/B	TV 50-1/25	28	Min. 30	25

7.5 Guarantee service check report

Service center:	
Date of repair:	Guarantee repair no.:
User of actuator:	Claim applied by:
Actuator type number:	Actuator production number:
Product claim fault:	Detected product fault:
Used spare parts:	
Remarks:	
Issued on a day:	Signature:

7.6 Post guarantee service check report

Service center:	
Date of repair:	
User of actuator:	Actuator operating place :
Actuator type number:	Actuator production number:
Detected product fault:	
Used spare parts:	
Remarks:	
Issued on a day:	Signature:

7.7 Commercial representation

Slovak Republic:

Regada, s.r.o.,

Strojnícka 7,

080 01 Prešov

Tel.: +421 (0)51 7480 460,

Fax: +421 (0)51 7732 096,

E-mail: regada@regada.sk