



CE 1026

INSTALLATION, SERVICE AND MAINTENANCE INSTRUCTIONS



***Explosion-proof electric linear actuators
REMATIC ULR 1PA-Ex, ULR 2PA-Ex***

TEST CERTIFICATE

EXPLOSION-PROOF ELECTRIC LINEAR ACTUATOR REMATIC ULR 1PA-Ex, ULR 2PA-Ex

Type number Power supply V Hz

Serial number Max. load thrust N

Production year Set switch-off thrust N

Wiring diagram Operating speed mm/min

..... Operating stroke mm


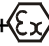


..... Control

..... Input operation signal

Warranty period months Output signal.....

Serial number of electric motor

Serial number of control unit

Explosion-proof version:  II 2 G Ex db IIC T5 Gb +  II 2 G c +  II 2 G Ex db eb IIC T5 Gb +
 II 2 D Ex tb IIIC T100°C Db

Final report No.: IECEx FTZU 19.0014X /FTZÚ 09 ATEX 0184X, IECEx FTZU 19.0015X /FTZÚ 09 ATEX 0185X

Design and type tests are in accordance with the following standards:

EN/IEC 60 079-0: Explosive atmospheres - Part 0: **Equipment general requirements – General requirements**

EN/IEC 60 079-1: Explosive atmospheres - Part 1: **Equipment protection by flameproof enclosures “d”**

EN/IEC 60 079-7 – Explosive atmospheres Part 7: **Equipment protection by increased safety “e”**

EN/IEC 60079-31: Explosive atmospheres – Part 31: **Equipment dust initiation protection by enclosure „t“**

Tests made in accordance with TP 74 1167 00

Tests made by Packed by

Date Signature and stamp

COMPLETENESS CERTIFICATE

Used valve

Assembled by: Firm

Name

Warranty period months

Date Signature and stamp

INSTALLATION CERTIFICATE

Location

Installed by: Firm

Name

Warranty period..... months

Date Signature and stamp

Please read these instructions carefully before mounting and operating the actuator!

Contents

1. General data	2
1.1 Purpose and applications	2
1.2 Safety instructions	2
1.3 Product influence to environment.....	2
1.4 Data specified on electric actuator	3
1.5 Terminology.....	4
1.6 Instructions for staff training	5
1.7 Warning for safety use	5
1.8 Warranty conditions.....	6
1.9 Under-guarantee and after-guarantee service	6
1.10 Operation conditions	6
1.11 Packing, transport, storing and unpacking	8
1.12 Assessment of the product and packaging and removal of contamination.....	9
2. Description, function and specifications	10
2.1 Description and function.....	10
2.2 Basic specifications	14
3. Installation and dismantling of actuator	26
3.1 Installation	26
3.2 Dismantling.....	28
4. Adjusting of actuator	29
4.1 EA control set-up options (regulating).....	32
4.2 Procedure for setting individual parameters and the register of errors and warnings	34
4.3 Putting an EA into operation when the EA is set up and connected with the armature already in the production plant (starting the calibration)	38
4.4 Putting an EA into operation when the stroke and parameter setting done by the producer suit to your needs	38
4.5 Putting an EA into operation when it is necessary to do a change to the stroke (setting new end positions), and the other parameter setting done by the producer suits to your needs	38
4.6 Setting other parameters.....	39
4.7 Error messages from the control unit	39
5. Service and Maintenance	40
5.1 Service.....	40
5.2 Maintenance - extent and periodicity	41
5.3 Maintenance to assure inexplosiveness	42
5.4 Troubleshooting.....	43
6. Accessories and spare parts	45
6.1 Accessories	45
6.2 Spare part list	45
7. Enclosures	46
7.1 Dimensional drawings	70
7.2 Guarantee service check report	75
7.3 Post guarantee service check report.....	76
7.4 Commercial representation	77

Edition: 09/2019

The right of changes reserved!

Ev. Nr.: 74 1063 52

The Installation, Service and Maintenance Instructions are drawn up according to requirements of EC Executive Nr. 2006/42/EC "Uniform requirements for machines and devices from the point of view of safety and health care", to save life and health of users and to avoid material damages and exposure environment to danger

1. General data

1.1 Purpose and applications

Explosion - proof electric linear actuators **Rematic** (hereinafter referred as EA only) with the DMS 3 electronic control of the **ULR 1PA-Ex, ULR 2PA-Ex** (hereinafter referred as **ULR XPA-Ex** only) are set up by the program to be controlled on the 24 V DC voltage level, or are set up by the program to be controlled by **analogue input signal**, potentially controlled through a interface with Modbus/Profibus communication protocol.

Electric linear actuators **ULR XPA-Ex** types are high-powered electric-mechanical products designed for direct installations onto controlled devices (regulating bodies - valves, etc.). EA of **ULR XPA-Ex** types are provided for remote control of closing bodies or automotive control of regulating bodies in both directions of their movement. They can be equipped with means of measuring and control of technological processes where an unified analogue direct current resp. voltage signal is an information bearer on their input and/or output (not valid for EA's with Modbus/Profibus protocol). They can be used in heating, energy, gas, air-conditioning and other technological systems, which they are suitable for, regarding their features. They are connected with controlled devices with a flange according to ISO 5210 or in accordance with GOST R 55510-2013.



1. It is forbidden to use EA as a lifting mechanism!

1.2 Safety instructions

Product characteristics from risk point of view

EA are reserved technical devices with higher rate of danger (group A), with possibility of installation in areas specially danger regarding casualties caused by electric current. EA are according to directive LVD 2014/35/EU and standard EN 61010-1/A1/AC in the edition in terms of valid certificate, assigned for installation category II (overvoltage category), pollution degree 2.

In order to demonstrate the compliance with the requirements of the European Council directive on machinery **2006/42/EC**, European Parliament and Council Directive **2014/34/EU** on equipment and protective systems intended for use in potentially explosive environment (designated as Directive ATEX 100a), directive of the Council **2014/35/EU** on LVD and Council Directive **2014/30/EU** on EMC, the electric actuators are subject to certification by authorized certification facilities.

The product meets the essential safety requirements according to EN 60204-1 and is in compliance with EN 55011/A1 within valid edition.



EA of ULR XPA-Ex types are reserved technical devices with higher rate of danger, with possibility of installation in areas specially danger regarding casualties caused by electric current.

1.3 Product influence to environment

Electromagnetic compatibility (EMC): the product complies with the requirements of the Directive 2014/30/EU of the European Parliament and of the Council on the approximation of the laws the Member States relating to the electromagnetic compatibility and with the requirements of standards as well EN IEC 61000-3-2+A1, EN 61000-3-3+A1, EN IEC 61000-6-2, EN IEC 61000-6-3,, in the edition in terms of valid certificate.

Vibrations caused by the product: product influence is negligible.

Noise produced by the product: The maximum allowable noise level (A) of the product measured in a place of operation is 75dB (A) for ULR 1PA-Ex and 80 dB (A) for ULR 2PA-Ex.

Electric actuators ULR XPA-Ex are made in explosion-proof version $\text{Ex} \text{ II 2 G Ex db IIC T5 Gb+}$

$\text{Ex} \text{ II 2 G c + Ex} \text{ II 2 G db eb IIC T5 Gb + Ex} \text{ II 2 D Ex tb IIC T100°C Db}$ pursuant to:

EN/IEC 60079-0: Explosive atmospheres – Part 0 : Equipment general requirements – General requirements

EN/IEC 60079-1: Explosive atmospheres – Part 1 : Equipment protection by flameproof enclosures "d"

EN/IEC 60079-7: Explosive atmospheres - Part 7: Equipment protection by increased safety "e".

EN/IEC 60079-31: Explosive atmospheres – Part 31: Equipment dust ignition protection by enclosure „t“, in accordance with valid certificates.

Electric parts EA are proposed:

- as devices of the group **II** for others threatened areas (excluding mines)
- of the category **2** with demanding requirements for safety
- for use in zone 1,2,21,22
- for atmospheres **G** (gases, vapors or mists) or **D** (combustible conductive dusts)
- topressure range from 0.8 to 1.1 bar.

Design version is :

- flameproof enclosures “**db**”, increased safety “**eb**” or level dust ignition protection by enclosure “**tb**”
 - with explosion protection group **IIC** or **IIIC**
 - and temperature class **T5** (max. permissible surface temperature +100°C).
- Zones for installation of explosion-proof electric actuators and conditions for equipment installation are defined in the following standards:

EN/IEC 60079-10: Electrical apparatus for explosive gas atmospheres
Part 10: Classification of hazardous areas

EN/IEC 60079-14: Electrical apparatus for explosive gas atmospheres
Part 14: Electrical installations in hazardous areas, within valid edition.

Non-electric parts of electric actuators are designed, engineered, manufactured, tested and identified in compliance with the requirements for safety of machinery according to the following standards:

- EN 1127-1: Explosive atmospheres – Explosion prevention and protection
Part 1: Basic concepts and methodology
- EN 13463-1: Non – electrical equipment potentially explosive atmospheres
Part 1 : Basic method and requirements
- EN 13463-5: Non – electrical equipment potentially explosive atmospheres
Part 5: Protection by constructional safety “c”, within valid edition.

Equipment identification consists of the following characters:

Ex - electric equipment complies with standard EN/IEC 60 079-0. and related standards for the corresponding types of explosion protection.

db - identification of the explosion protection type - "flameproof enclosure" according to EN/IEC 60 079-1.

eb - identification of the explosion **protection type** – „increased safety" according to EN/IEC 60 079-7.

tb - identification of dust ignition protection by enclosure „t" according to EN/IEC 60 079-31.

II or III - identification of the class of non-explosive electric device according to the standard EN/IEC 60 079-0.

C or D - identification of the **sub-class II** of non-explosive electric devices according to the standard EN/IEC 60 079-0.

T5 or T100°C - identification of the **temperature class** of non-explosive electric device class II or III according to the EN/IEC 60 079-0.

Gb - (EPL Gb) identification of the equipment designated for explosive gaseous atmospheres, with "high" level of protection, which is not a source of initiation in standard operation or in case of expected failures.

Db - (EPL Db) - identification of the equipment designated for explosive dust atmospheres, having a "high" level of protection, which is not a source o ignition in normal operation or during expected malfunctions.

1.4 Data specified on electric actuator

Nameplate:

⊕	REGADA	TYP	№
		kN	mm.min ⁻¹ IP ⊕
CE	Made in Slovakia	mm	V A

Warning plate:



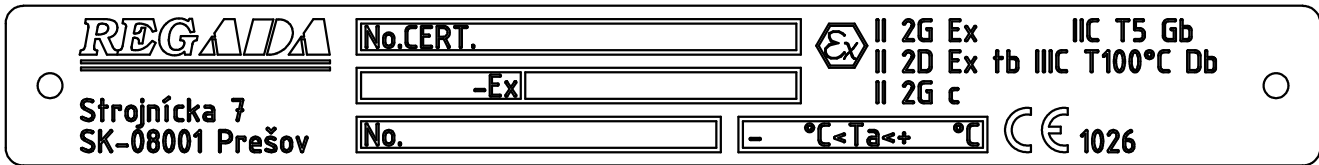
Nameplate contains the basic data concerning identification, performance and electricity: indication of producer, type, serial number, max. load thrust and switching-off thrust, operating speed, protection code, operating stroke, supply voltage and current.

Warning label:

- with identification of the waiting time and requirements for strength of screws

<p>ATTENTION !</p> <p>THE COVER CAN BE REMOVED 60 MIN. AFTER POWER SUPPLY IS SWITCHED OFF ! USE SCREWS WITH A TENSILE STRENGTH $\geq 700 \text{ N/mm}^2$</p>
--

Non-explosive label: identifying the manufacturer, certificate number, type identification, version identification, serial number and version for ambient temperature -25°C to +55°C or -50°C to +40°C or -60°C to +40°C.



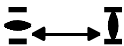
Graphic symbols on electric actuator

The graphic symbols used on electric actuator substitute the text messages. Some of them are in accordance with EN ISO 7010, ISO 7000 and IEC 60417, within valid edition..



Dangerous voltage

(EN ISO 7010-W012)



Stroke of the electric linear actuator



Switching-off thrust



Manual control

(0096 ISO 7000)



Protection terminal

(5019 IEC 60417)

1.5 Terminology

Potentially explosive environment - an environment where explosive atmosphere can occur.

Explosive gas atmosphere - a mixture of flammable substances (in form of gases, vapors or mist) with air under atmospheric conditions, which upon initiation enables the propagation of the combustion in unconsumed mixture.

Maximum surface temperature - maximum temperature occurring during operation in most adverse conditions (but within accepted tolerance limits) at any part of the surface of the electric device, that could result in ignition of the surrounding atmosphere.

Enclosure - all walls, doors, covers, cable glands, shafts, rods, draw bars, etc., that contribute to the level of protection against explosion or to the level of protection (IP) of the electric device.

Flameproof enclosure "db" - type of protection where in the parts capable of igniting an explosive atmosphere are located within the enclosure, in case of explosion of an explosive mixture within the enclosure, such enclosure will withstand the pressure of the explosion and prevent the propagation of explosion to the surrounding atmosphere.

Increased safety "eb" - type of protection applied to electrical apparatus in which additional measures are applied so as to give increased security against the possibility of excessive temperatures and of the occurrence of arcs and sparks in normal service or under specified abnormal conditions.

Dust ignition protection by enclosure "tb" - type of protection for explosive dust atmospheres where electrical equipment is provided with an enclosure providing dust ingress protection and a means to limit surface temperatures.

Combustible dust - finely divided solid particles, 500 µm or less in nominal size, which may be suspended in air, may settle out of the atmosphere under their own weight, may burn or glow in air, and may form explosive mixtures with air at atmospheric pressure and normal temperatures.

Conductive dust - combustible dust with electrical resistivity equal to or less than $10^3 \Omega \cdot m$.

Combustible flyings - solid particles, including fibres, greater than 500 µm in nominal size which may be suspended in air and could settle out of the atmosphere under their own weight.

1.6 Instructions for staff training

Requirements for professional qualification of people performing installation, service and maintenance



The electrical connection of the actuator can only be carried out by a person in accordance with legislative requirements of the given country, depending on the required areas of location/use. Service can be performed only by workers professionally qualified and trained by the producer or contracted service centre

1.7 Warning for safety use



1. Products are assigned for operation in environment consist of gas, steam and vapours, with temperature range: -25°C to $+55^{\circ}\text{C}$ or -50°C to $+40^{\circ}\text{C}$ or -60°C to $+40^{\circ}\text{C}$, with pressure range from 0.8 to 1.1 bar. EA can be installed at areas specified as zone 1, zone 2, zone 21 and zone 22.

It matters about following products are designated for environment:

- group II
 - the category 2
 - for type of the atmospheres **G** or **D**
 - subgroup **C**
 - temperature class **T5**.
2. Products are designed according to standards for electrical and non-electrical devices assigned for areas with danger of explosion:
 - for electric parts: EN/IEC 60079-0, EN/IEC 60079-1, EN/IEC 60079-7 and EN/IEC 60079-31
 - for non-electric parts: EN 1127-1, EN 13463-1 and EN 13463-5.
 3. The maximum surface temperature for given group **T5** is not allowed to exceed $+100^{\circ}\text{C}$.
 4. If the actuator is placed on device which regulate medium with higher temperature than $+55^{\circ}\text{C}$, protect the actuator by additional construction in order to maintain ambient temperature max. $+55^{\circ}\text{C}$ and also to stop temperature transmitting through junction component!
 5. Cable glands blinds are assigned only for transport and storage period, i.e. for period till the actuator is builded into operation with danger of explosion, than blinds must be replace by connecting cable.
 6. If any of the cable glands are not used to install a cable, it must be replaced with certified Ex plug of the approved type, secured with WEICONLOCK AN 302-43 adhesive.
 7. Temperature at the point where the cables enter the actuator can reach max. 90°C . When choosing the connection cables for the actuator, it is therefore necessary to consider this temperature as well.
 8. **ATTENTION: THE COVER CAN BE REMOVED 60 MIN. AFTER POWER SUPPLY IS SWITCHED OFF! USE SCREWS WITH A TENSILE STRENGTH $\geq 700 \text{ N/mm}^2$.**
 9. **WARNING – POTENTIAL ELECTROSTATIC CHARGING HAZARD.**
During operation of EA it must be prevented any process with intensive formation of electrostatic charge stronger than manual friction of his surface.
 10. **WARNING !** If it is necessary to operate electric actuator at a temperature of -50°C to -60°C , which has been disconnected from the electrical network, it is necessary to heat the interior of the actuator for 2 hours before applying voltage to the electronics. We start this heating by connecting the supply voltage to terminals "U" and "N" (for EA with DMS3), or to terminal "20" and "N" (for EA with Modbus or Profibus communication protocol), for a period of 2 hours. After two hours of heating, the EA is ready to connect the voltage to the electronics, including the other terminals of the electronics according to the specific wiring diagram. Do not disconnect the heating supply voltage, leave it permanently connected. With this design of the actuator, the temperature of the internal space in the control box is controlled by the thermal switch (F2) and not the electronics of the actuator.

Product protection

EA ULR XPA-Ex is provided with its own short-circuit protection of 1-phase motor power supply circuits and space heater. There must be included suitable protective device into the power supply of 3-phase motor (circuit breaker or fuse) which serves as main switch as well. For protection, we recommend to use a fuse type "T" or a contactor type "C".

Type of equipment from a connection point of view: The equipment is designed for permanent connection.

1.8 Warranty conditions

The supplier is responsible for completeness of the delivery and guarantees these specifications of the product which are stated in the Contract.

The supplier is not responsible for any deterioration of parameters caused by the customer during storage, unauthorised installation or improper operation.

1.9 Under-guarantee and after-guarantee service

Our customers are provided with professional service of our firm in installation, operation, service, maintenance, revision and help in troubleshooting for all our products.

Under-guarantee service is performed by the service department of the production plant, or by a contracted service centre according to a written claim.

In case of occurring of any fault please let us know it and state:

- type code
- serial number
- ambient parameters (temperature, humidity...)
- duty cycle including frequency of switching
- type of switching-off (position or thrust)
- set switching-off thrust
- type of fault - description of claimed fault
- it is recommended to place also Installation certificate.

It is recommended to have **after-guarantee service** performed by the service department of the production plant, or by a contracted service centre, with national laws.

1.9.1 Lifetime of actuators

The lifetime of an electric actuator (EA) is at least 6 years.

EA used for closing mode (closing valves) comply with the requirements for at least **15,000 working cycles** (cycle C – O – C: for linear EA).

EA used for regulating/modulating operation (control valves) comply with the below stated numbers of **operating hours** at the total number of 1 million start-ups:

Switching frequency				
max. 1,200 [h ⁻¹]	1,000 [h ⁻¹]	500 [h ⁻¹]	250 [h ⁻¹]	125 [h ⁻¹]
Minimal lifetime expectancy – number of operating hours				
850	1,000	2,000	4,000	8,000

Time of **net operation** is min. 200 hours, max. 2,000 hours.

Lifetime at operating hours depends on loading and switching frequency.

Note : High switching frequency does not ensure better regulation. Setting of regulation parameters should be therefore made with the inevitably necessary switching frequency needed for the process in question.

1.10 Operation conditions

1.10.1 Product location and operation position

EA may be installed and operated in enclosed locations of industrial facilities with no temperature and moisture regulation, protected from direct climatic effects (such as direct sunlight). Moreover, special "marine" versions may be used in waste water treatment applications, water management, selected chemical applications, tropical environments and coastal areas.

Warning:



Actuator installed on the open place must be protected against a direct climate effects by shelter. Installation and operation of EA is possible in **any position**. Vertical position of output part axis and with the control part above the valve is usual.

In applications placed in an ambient of a relative moisture above 80%, in external ambient under shed, it is necessary to change the preset thermostat temperature +25°C to +70°C by a PC and program to prevent switching off the heating resistor.

1.10.2 Working environment

According to valid standard IEC 60 721-2-1, there are delivered these versions of electric actuators:

- 1) Version „**standard**“ for type climate temperate
- 2) Version „**tropical wet**“ for type climate tropical wet
- 3) Version „**cold**“ - for type climate cold
- 4) Version „**tropical dry and dry**“ for type climate tropical dry and dry
- 5) Version „**marine**“ for type climate marine
- 6) Version „**arctic**“ for type climate arctic.

In accordance with IEC 60 364-1, IEC 60 364-5-51 within valid edition the EA have to resist external effects and operate reliably:

In the conditions of the following types of environment:

- warm mild to very hot dry with temperature in range -25°C to +55°CAA 7*
- cold to warm mild and dry with temperatures in range -50°C to +40°CAA 8*
- cold to mild hot dry with temperatures in range -60°C až +40°C AA 1*+AA 5*
- with relative humidity 10 to 100 %, including the condensation of up to 0,029 kg water content per 1 kg of dry air, at above stated temperatureAB 7*
- with relative humidity of 15÷100%, including the condensation of up to 0,036 kg water content per 1 kg of dry air, at above stated temperatureAB 8*
- with relative humidity 5 to 100 %, including the condensation of up to 0,025 kg water content per 1 kg of dry, at above stated temperature AB 1*+AB 5*
- with elevation up to 2000 m, with barometric pressure range from 86 kPa up to 108 kPa AC 1*
- with exposure to intensive water jets (IPx6) AD 6*
- with submersion – (product with enclosure IPx8)..... AD 8*
- with strong dustiness – with a possibility of influences of inflammable, non-conducted and non-explosive dust; the middle layer of dust; the dust drop more than 350 but not more than 1000 mg/m² per day (products with protection enclosure of IP 6x) AE 6*
- expose to corroding or pollute chemical substances during producing or using of these substances); at places where is handled with small quantity of chemical products and these can accidentally get in contact with an electric device AF 3*
- with permanent exposure of big amount of corroding or contaminated chemical and salt fog in execution for sea environment, fog sewage water disposal plant and some chemical plant AF 4*
- with a possibility of influences of mechanical stress:
 - medium sinusoid vibrations with frequency in range from 10 up to 150 Hz, with shift amplitude of 0,15 mm for $f < f_p$ and acceleration amplitude 19,6 m/s² for $f > f_p$ (transition frequency f_p is from 57 up to 62Hz) AH 2*
 - medium impacts, shocks and vibrationsAG 2*
- with serious danger of plants and mould growing..... AK 2*
- with serious danger of animal occurrence (insects, birds, small animals).....AL 2*
- with detrimental influence of radiation:
 - of stray current with intensity of magnetic field (direct or alternate, of mains frequency) up to 400A.m⁻¹ AM2-2*
 - of sun radiation with intensity > 500 and ≤ 700W/m² AN 2*
- with effects of medium seismic activity with acceleration > 300 Gal ≤ 600 Gal AP 3*
- with direct endanger by stormAQ 3*
- with quick air movement and strong wind AR 3 , AS 3*
- stand on a conductive bottom) BC 3*
- with a danger of inflammable gases and vapours explosion - for Ex of versionBE 3N2*
- fire risks BE 2*

* Marking in accordance with IEC 60364-1, IEC 60 364-5-51 and IEC 60 364-5-55 within valid edition

1.10.3 Power supply and duty cycle

Power supply:

electric motor 120 resp. 110 V AC, 230 resp. 220 V AC, 3x400 resp. 3x380 V AC
 resp. 3x415 V AC resp. 3x460 V AC resp. 24 V AC/DC $\pm 10\%$, according to valid certificates
 Control binary inputs 24 V DC $\pm 10\%$
 input control signal 0/4/12 to 20 mA, 4 to 12 mA resp. 20 to 0/4/12 mA, 12 to 4 mA, or 0/2 to 10 V, resp.
 10 to 0/2 V
 input control signal 0/4/12 up to 20mA, 4 up to 12mA resp. 20 up to 0/4/12 mA, 12 up to 4mA or 0/2 up to
 10V resp. 10 up to 0/2 V
 Electronic positional transmitter (EPV) without power supply (passive) 18 up to 30 V DC $\pm 10\%$
 communication protocol (by version) Modbus (either 1 Channel or redundant)
 Profibus (either 1 Channel or redundant)
 Frequency of power supply 50/60* Hz $\pm 2\%$
 * At frequency of 60 Hz operating speed is increased by 1.2 times.

Duty cycle (according to EN 60034-1 (IEC 60034-1) within valid edition):

EA ULR XPA-Ex are designed for **remote control**:

- short-time operation S2-10 min
- intermitted operation S4-25%, max. 90 cycles per hour

EA ULR XPA-Ex designed for **automatic regulation** via analogue signals are designed for :

- intermitted operation S4-25% with min. number of starts according to table:

Thrust - ranges [kN]	On-Off [cycles per hour] ^{a)}	Inching (starts per hour ^{b)}	Modulating with reverse contactors [starts per hour] ^{c)}
to 20	15	30	1200
21-70	10	15	600

a) One cycle consists in a stroke of 40 mm in both directions (i.e. 40 mm to open + 40 mm to close), based on an average load of at least 30 % of the rated thrust with the ability to transmit 100 % of the rated thrust for at least 10 % of the travel.

b) One start consists of a movement of at least 1 % of the minimum stroke in either direction, with a load of at least 30 % of the rated thrust. The cyclic duration factor (i.e. the ratio between the running period and total period) shall be not less than 25 % (e.g. 1 s running and 3 s resting).

c) One start consists of a movement of at least 1 % of the minimum stroke in either direction, with a load of at least 30 % of the rated thrust.

1.11 Packing, transport, storing and unpacking

Surfaces without surface treatment are treated by conservation preparation MOGUL LV 2-3 before packaging .

Conservation is not necessary if the following storage conditions are complied with:

- Storage temperature: -10 to +50 °C
- Relative air humidity max.80 %
- Electric actuators and their accessories must be stored in dry, well ventilated covered spaces, protected against impurities, dust, soil humidity (by placement to racks, or on palletes), chemicals and foreign interventions
- There shall be no corrosive gases present in the storage areas.

The of EA are delivered in solid packages guaranteeing resistance in accordance with EN/IEC 60 654.

Package is a box. Products in boxes is possible to load on the pallets (pallet is returnable). On the outer side of the package is stated:

- manufacturer label,
- name and type of product,
- number of pieces,
- other data – notices and stickers.

The forwarder is obliged to secure packed products, loaded on transportation means, against self-motion; if open transportation means are used, to secure their protection against atmospheric precipitations

and splashing water. Displacement and securing of products in transportation means must provide their stable position, exclude the possibility of their inter-collision and their collision with the vehicle walls.

Transportation can be executed by heatless and non hermetic spaces of transportation vehicles with influences within the range:

- temperature: -25° C up to +50°C (a strange version –45 ° C up to +45 ° C)
- humidity: 5 up to 100 %, with max. water content 0.029 kg/kg of dry air
- barometric pressure 86 up to 108 kPa

After receiving EA check whether during transport or storage the actuator was not damaged. Compare also whether the parameters on their nameplates are in accordance with accompanying documentation or the Contract. If any discrepancy or fault occur inform immediately your supplier.

If the actuators and accessories are not immediately installed, they have to be stored in dry, well-ventilated sheltered rooms, protected against dirt, dust, soil humidity (with placing onto shelves or onto pallets), chemical impacts and encroachment, at ambient temperature from -10°C up to +50 °C and relative humidity max. 80 %, in special version at temperature –50°C do +40°C.

- It is forbidden to store EA outside or in areas not prevented against direct impact of climate.
- Strains of the surface finishing should be promptly removed if any – it can prevent the product against corrosion damages.
- While storing more than one year it is necessary to check lubrication filling before the actuator is put into operation.
- The EA installed but not operated are to be protected the same way as when storing (e.g. with a wrapping).
- After it is mounted onto a valve in free and wet areas or in areas where temperature is changing it is necessary to connect the space heater – to prevent the actuator against corrosion resulted from water condensed in the control part.
- Remove odd conservation grease as late as before putting into operation.

1.12 Assessment of the product and packaging and removal of contamination

The product and its package are made of recycling materials. Do not throw the single parts of the package and of the product after their life but sort them according to instructions in corresponding executives or regulations of environment protection, and allow their recycling.

The product and its packing are not a source of any environment pollution or contamination and do not contain any dangerous waste.

2. Description, function and specifications

2.1 Description and function

EA **ULPR XP-ExA** is controlled by version:

- by supplying the 24 V DC current to EA terminals according to a wiring diagram or
- with the input control signal 0/4/12 to 20 mA, 4 to 12 mA (0/2 to 10 V) (it allows automatic setting of the position of the EA output relay in relation to the value of the input signal) and provides also other functions.
- through Modbus reso. Profibus communication interface.

The electric actuator consists of these main parts (**Fig. 1, 1A**):

The electric actuator is driven by an **electric motor (1)** supplied (single-phase motor) from the **source board (3)** and **control unit (2)** of the DMS 3 electronics.

Position of output element of EA and thrust is scanned by **contactless absolute sensor**.

Depending on the version, the DMS3 electronic circuit board may include **an electronic position transmitter (EPV)** without power supply (passive) with output signal 4 to 20 mA.

Space heater (5) is placed at the control board.

In case of power cut or damage of switches the actuator can be controlled by **manual handle** according to instructions stated in chapter 5.1 Service.

Basic modules of DMS3 electronic control system for ULR XPA-Ex:

Control unit (2) – main part of system DMS3 – it contains microprocessor, 6 signal LED and 4 buttons for simple adjustment and control of EA, connectors for connection of thrust scanner and sourcing board and communication connector (connection to PC for adjustment and diagnostic), 2 free programmable relays R1 and R2, 1 relay READY and terminals for electric connection.

Sourcing board for single - phase version (3) – secures power supply of electronic and provides an output voltage of 24 V DC, 40 mA for the user, it contains user terminal board, switching circuits, connector for connection with control unit.

Position scanning unit (4) – secures contactless magnetic position scanning of output element.

Thrust reading unit (6) – provides contactless magnetic thrust reading.

Switching unit for 3-phase electric motors - reversing relays, contactors or contactless switching (SSR).

LED display (7) – shows instant position of EA output member and reports and displays potential errors, which would occur when EA is operated. Signalling motion and failure of the EA is also indicated by LEDs diode. LED display is used only pro type of construction EA without local control.

Manual control: made up by a handwheel with a worm gearing.

Terminal box - with protection type "e" (Fig. 1B). Is as standard equipment for EA with communication protocol Modbus / Profibus.

Other accessories – as optional accessories:

- **3 or 6 additional relays module RE3, RE4, RE5** (according to version)(8)
- Local electric control module equipped with 2-line LCD display (fig. 7).
- Electrical connection in separate terminal box with protection type "e" (Fig. 1B)

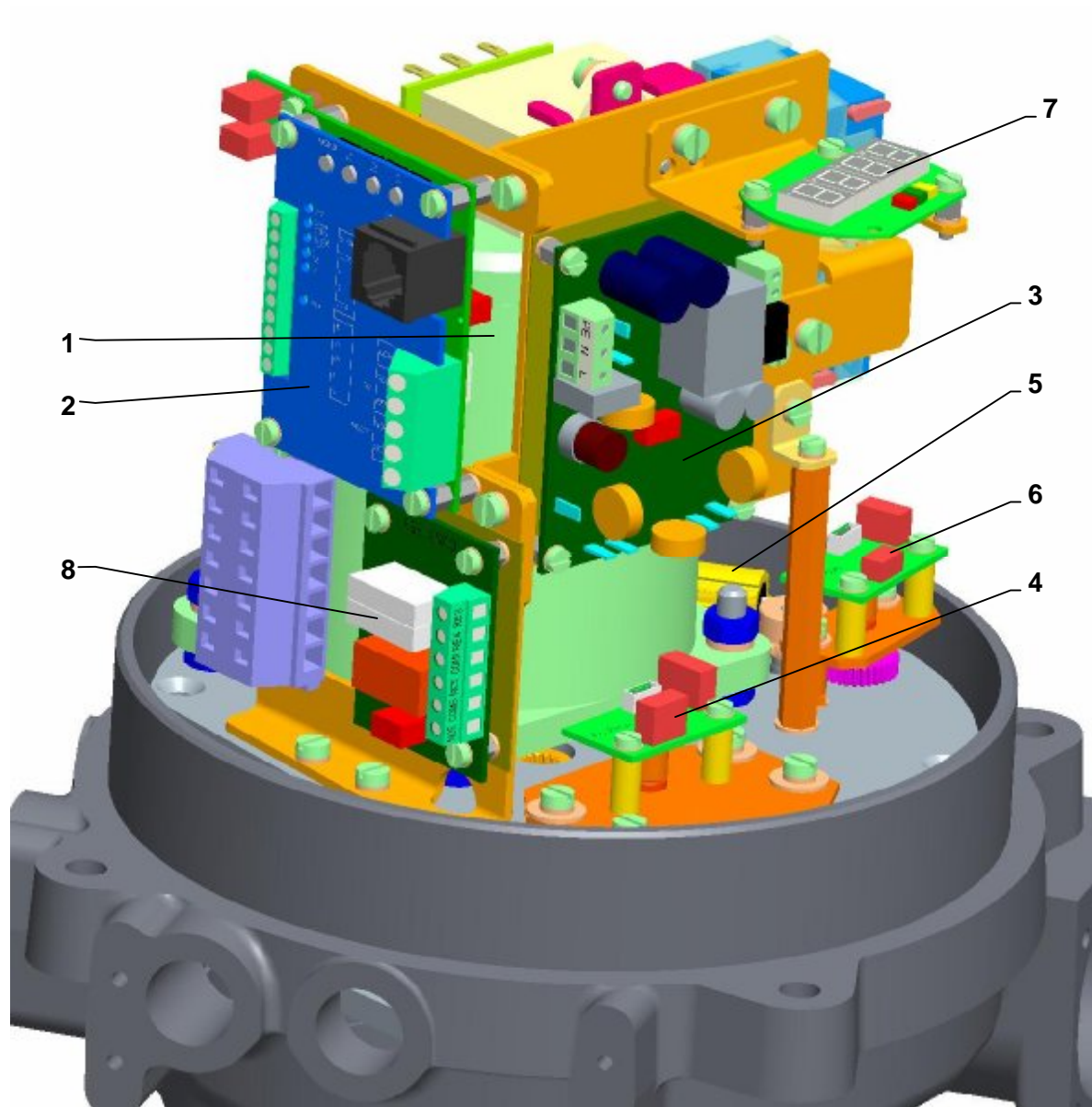


Fig. 1-ULR 1PA-Ex

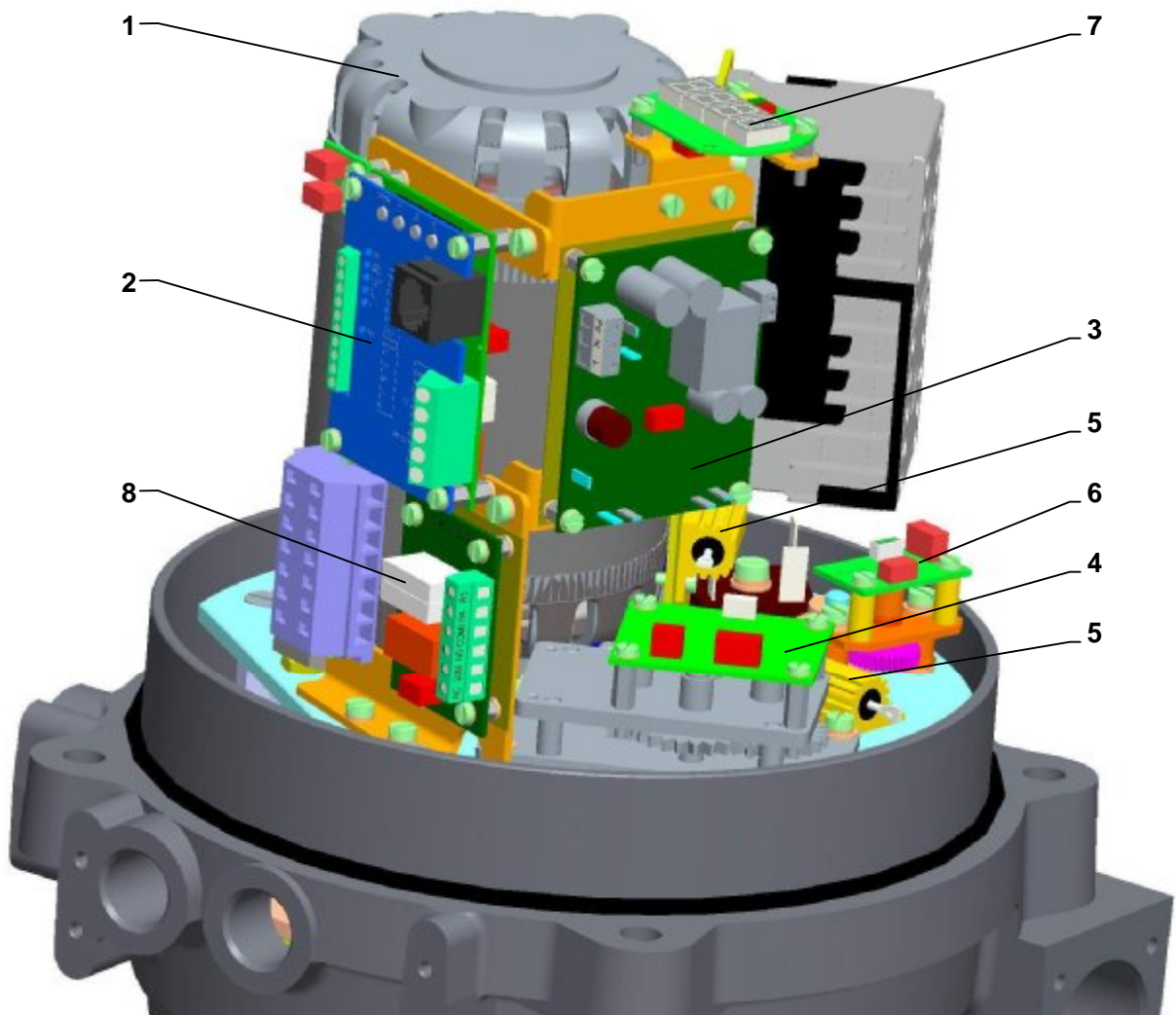


Fig. 1A -ULR 2PA-Ex

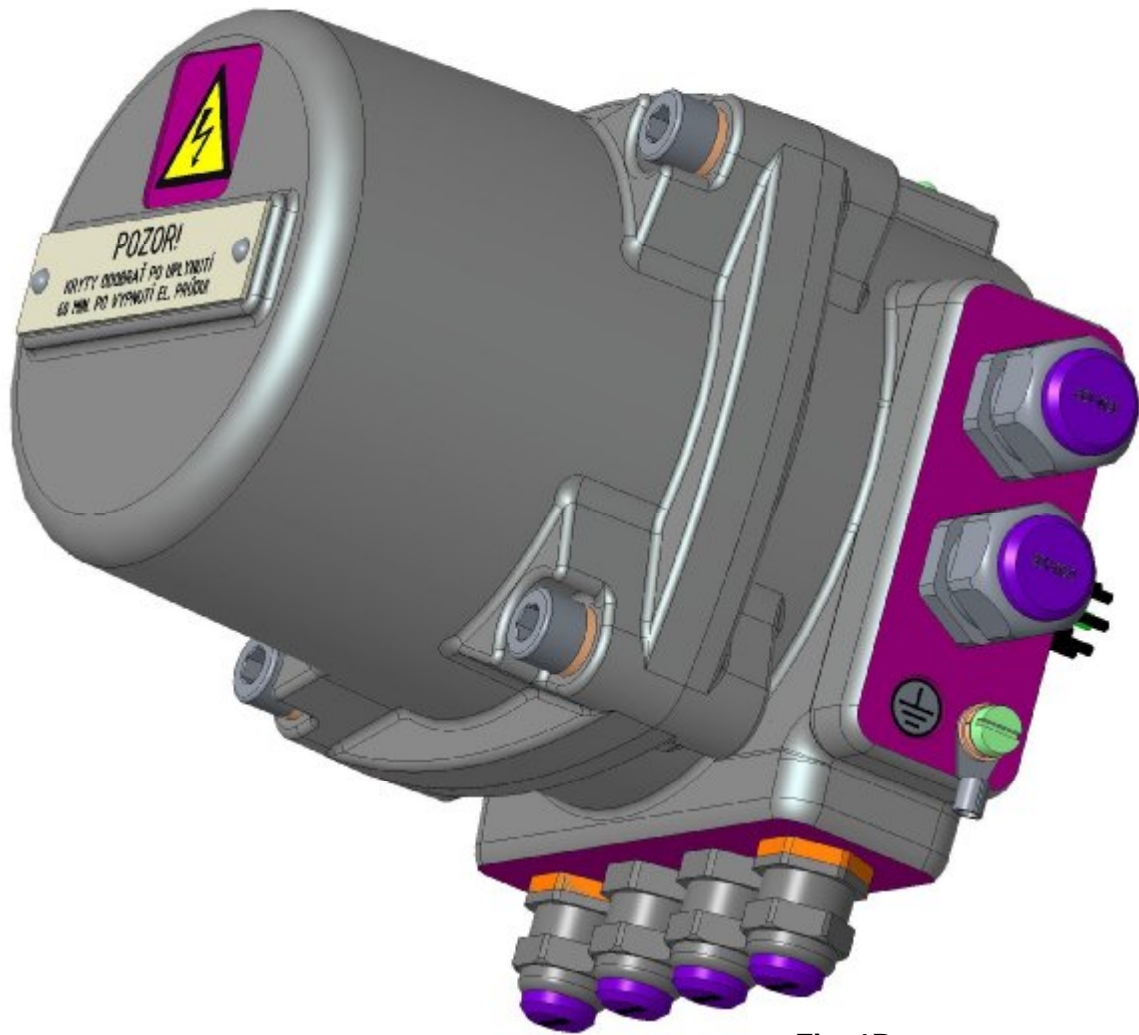


Fig. 1B

2.2 Basic specifications

Basic EA specifications are given in Table 1.

Table 1: Basic EA Specifications

Type/ type number	Operating speed ±10[%] ¹⁾		Operating stroke	Max. load thrust (ON – OFF-duty)	Max. load thrust (Modulating duty)	Switching-off thrust ±10 [%]	Weight	Electric motor											
								Supply voltage nominal voltage	Power	Revolutions	Current		Capacitor capacity						
											nominal	starting ±20 %							
	[mm/min]	[mm]	[kN]	[kN]	[kN]	[kg]	[V] ±10%	[W]	[1/min]	[A]	[µF/V]								
	50Hz	60Hz																	
ULR 1PA-Ex type number 546	10	without transmitter	7,5	5	12,5	16 - 22	Single-phase Three-phase	230 (220)	40	1300	0,53	1	-						
	40		6	4	10														
	80		4,8	3,2	8														
	10	12	7,5	5	12,5									120 (110) 60Hz	40	1600	0,67	1,27	9,0
	20	24	6	4	10														
	40	48	4,8	3,2	8														
	80	96	7,5	5	12,5		24 AC 50/60 Hz	53	2600	2,6	4,2	-							
	10	7,5	5	12,5															
	20	6	4	10															
	40	4,8	3,2	8															
	80	7,5	5	12,5	Direct		24 DC	53	2600	2,5	4,2	-							
	10	6	4	10															
	20	4,8	3,2	8															
	40	7,5	5	12,5		Three-phase							3x400 (3x380)	40	1300	0,21	0,4	-	
	80	6	4	10															
	10	4,8	3,2	8															
	20	7,5	5	12,5															
	40	6	4	10															
	80	4,8	3,2	8															

Type/ type number	Operating speed ±10[%] 1)	Operating stroke	Max. load thrust (ON – OFF duty)	Max. load thrust (Modulating duty)	Switching-off thrust ±10 [%]	Weight	Electric motor							
							Supply voltage nominal voltage	Power	Revolutions	Current		Capacitor capacity		
										nominal	starting ±20 %			
	[mm/min]	[mm]	[kN]	[kN]	[kN]	[kg]	[V] ±10%	[W]	[1/min]	[A]	[μF/V]			
	50Hz 60Hz													
ULR 2PA-Ex type number 547	14	4 up to 100 without transmitter	15	10	25	26 - 27	Single-phase	230 (220)	60	2750	0,7	1,35	7/400	
	25													
	40													
	60													
	80													
	100													
	120		12	8	20	120	2620	1,0	1,9	8/450				
	14		9	6	15									
	17		7	5	12									
	25		4 up to 100 without transmitter	15	10	25	26 - 27	Single-phase	120 (110) 60Hz	70	3380	1,1	2	16/250
	40													
	60													
	80													
	100													
	120													
	17		9	6	15									
	30		7	5	12									
	48		4 up to 100 without transmitter	15	10	25	28-45	Three-phase	3x400 (3x380)	90	2740	0,35	1,3	-
72														
96														
120														
144														
14	10	6,5												
25														
40														
60														
80														
100														

1) Anomaly of operating speed: -15% at temperatures under -10°C.

2) The total current of EA is the sum of the electronics current (0.15 A) and the electric motor current according to the EA version.

Other specifications:

Protection enclosure of EA: IP 66/IP 68 (EN/IEC 60529 within valid edition)

According to definition for EA, enclosure IP68 fulfills following requirements:

- water column max. 10m
- time of continuous submersion in water max. 96 hours

Mechanical ruggedness:

sinusoid vibrations.....see Chapter 1.10.2

resistance by drops 300 drops with acceleration of 5 m.s^{-2}

seismic resistance6 degrees of Richter's scale

Self-locking: declared in range 0% to 100% of rated thrust

Motor's thermal protection: thermo-contact

Electric control:

remote control - movement of output part of the electric actuator is controlled :

- by binary inputs 24 V DC, or
- by unified input signal 0/4/12 up to 20mA, 4 up to 12mA resp. 20 up to 0/4/12 mA, 12 up to 4mA or 0/2 up to 10V, resp. 10 up to 0/2 V according to version
- potentially controlled through a interface with Modbus/Profibus communication protocol

Power supply of electronics:

- Power supply ZS is used for single phase and three phase versions and feeds the electronic modules built in EA.
- It provides the 24V DC, 40 mA output voltage according to version.

Power sources contain a protective fuse with parameters according to chapter 2.2.2 Electric connection.

Position scanning:

- contactless absolute magnetic.

End positions adjustment:

End position relays are adjusted to the specified stroke with accuracy of $\pm 1 \text{ mm}$.

It is possible to set up (with buttons situated on the control unit, resp. with buttons situated on the local control, resp. program after connecting the EA with PC) the shutting off in end positions as follows:

- Z = Torque + O = Torque
- Z = Torque + O = Position
- Z = Position + O = Torque
- Z = Position + O = Position

Notes:

C = Torque - shutting off at end limit - thrust „Closed“

O = Torque - shutting off at end limit - thrust „Opened“

C = Position - shutting off at end limit - position „Closed“

O = Position - shutting off at end limit - position „Opened“

Factory's setup of shutting off in end positions is described in the chapter "Adjusting of actuator".

Thrust scanning: - contactless absolute magnetic.

Switching-off adjusting:

Disengaging thrust is factory adjusting to a maximum value with the $\pm 10 \%$ tolerance shown on the nameplate of the appropriate EA.

The user is allowed to modify the switching-off thrust value within the range 50 - 100%, stepped by 10%.

Thrust blocking:

The switching-off from thrust can be blocked within a certain range of the stroke starting from a stroke end position (max.5%), for time agreed on, in range of 0 to 20 sec..

Output relay (according to version):

- 3x relays ((standard for DMS3 without version Modbus/Profibus)) (**READY, R1, R2**) max.

250 V AC/1 A/cos phi=1; max. 30 V DC/2A

- 3x additional relays (options) (**RE3, RE4, RE5**) max. 250 V AC/1 A/cos phi=1; max. 30 V DC/2A

- 6x additional relays (options) (RE1, RE2, RE3, RE4, RE5, READY) max. 250 V AC/1 A/cos phi=1; max. 30 V DC/2A

- relays READY, R1, R2, RE3, RE4 and RE5 are free programmable (their function can be changed with buttons on the control unit, with buttons on the electric local control, or through a PC with the program).

READY relay: - programme selections option – error indication, error or warning, error or not remote, error or warning or not remote. READY relay factory set is shown in the “Adjusting of actuator” Chapter.

R1, R2, RE1, RE 2, RE3, RE4 and RE5 relay - programme selections option – disabled, Position O (position open), Position C (position close), Torque O (thrust open), Torque C (thrust close), Torque O or Torque C, Torque O or Position O, Torque C or Position C, opens, closes, movement, movement – flasher, to position, from position, warning, control – remote, control – local, (not valid for EA without local control), control OFF, relay READY.

RE3, RE4, RE5 relays are independent. Factory setting up of the individual relays is shown in the “Adjusting of actuator” Chapter.

Transmitter (output signal) (not valid for Modbus/Profibus version)

Electronic position transmitter (EPV) passive (for single phase versions)- 2-wire connection (without inbuilt power supply)

Current signal.....	4 ÷ 20, resp. 20 ÷ 4 mA (DC)
Voltage at connection of EPV passive	18 up to 30 V DC
Load resistance	max. $R_L = 500 \Omega$
Tolerance of value of output signal of electronic transmitter in end positions:	$\pm 0,5 \%^{1)}$
Tolerance of linearity of transmitter	$\pm 1 [\%]^{1)}$
Hysteresis of transmitter	max. 1 [%] ¹⁾

1) from nominal value of transmitter referred to output values

Galvanic separation..... output signal is galvanically separated from input control signal

Program possibilities of output signal : 4 ÷ 20 mA, 20 ÷ 4 mA. Factory’s setup of output signal is described in the chapter “Adjusting of actuator”.

Electronic controller (N) (not valid for Modbus/Profibus version) – actuation by input control signal

Input control signals - analogue:	0 - 20 mA (0 – 10 V according to version)
.....	4 - 20 mA(2 – 10 V according to version)
.....	12 - 20 mA
.....	4 - 12 mA
.....	20 - 0 mA(10 – 0 V according to version)
.....	20 - 4 mA(10 – 2 V according to version)
.....	20 - 12 mA
.....	12 - 4 mA

Input resistor for signal 0/4/12 up to 20 mA. 4 up to 12 mA $R_{in} = 120 \Omega$

Input resistor for signal 0/2 up to 10 V $R_{in} = 30 k\Omega$

Tolerance of controller’s linearity: 0,5 %

Dead of controller: program adjustable within 1 - 10%

Factory’s setup of input signal is described in the chapter “Adjusting of actuator”.

Version with Modbus interface:

- Modbus, line specification: RS485, two-wire design, half duplex.
- Modbus, Transmission Mode: RTU (8-bit binary data).
- Variants:
 - 1 Channel version
 - Redundant version with cable or component redundancy or with repeater (common address and communication parameters).
- Address: 1 through 247
- Parity:
 - Even (1 stop bit)
 - Odd (1 stop bit)
 - No (2 stop bits)
- Supported transmission rates:
 - 300 bit/s

- 600 bit/s
- 1200 bit/s
- 2400 bit/s
- 4800 bit/s
- 9600 bit/s
- 19200 bit/s
- 38400 bit/s
- 57600 bit/s
- 115200 bit/s
- Signal delay (repeater):
 - max. 2.67 μ s
- Bit edge reduction/extension (repeater):
 - max. 1.67 μ s

Version with Profibus interface:

- Profibus, line specification: two-wire design, galvanic separated.
- Variants:
 - 1 Channel version.
 - Redundant version (simple/redundancy).
- Address 1: 1126
- Address 2: 1126
- Redundancy:
 - Off (for 1 Channel version)
 - Simple (for redundant version)
- Supported transmission rates:
 - 9,6 kbit/s
 - 19,2 kbit/s
 - 93,75 kbit/s
 - 187,5 kbit/s
 - 500 kbit/s
 - 1500 kbit/s

Control by binary inputs 24 V DC:

- by feeding of 24 V DC to terminals **CLOSE** and **OPEN**.

Programming possibilities of binary inputs I1 and I2 (change is possible only through the programme of PC or using buttons local control)

- for the input **I1** : DISABLED; ESD; DBL (local releasing - not valid for EA without local control), STOP
- for the input **I2** : DISABLED, ESD; DBL (local releasing - not valid for EA without local control), 2P resp. E2P (the EA can undergo control for the opening direction or closing with the controller ON and I2 input activated with 24 V DC voltage supplied to the terminals to OPEN or CLOSE).

Factory's setup is described in the chapter "Adjusting of actuator".

Programmable FAILURE REACTION : OPEN, CLOSE, STOP, SAFE POSITION

Factory's setup is described in the chapter "Adjusting of actuator".

Adjustable elements of electronics:

The EA is possible to adjust with or resetting to different parameters operating the control unit buttons, or with buttons on the local control (according to version), or once it is connected to the PC using the programme and the communication cable connected to the EA control unit communication connector and the EA cover removed.

Space heater (E1)

Space heater - supply voltage:corresponding with motor supply voltage (max. 250 V AC)

Space heater power output:: ULR 1PA-Ex cca 10 W/55°C

Space heater power output:: ULR 2 PA-Ex cca 40 W/55°C

Electronic board provides switching of heating element. It is possible to change switching temperatures of the switch from -40°C to $+70^{\circ}\text{C}$ with help of PC and particular software. Factory's setup for shut down of heating element (thermostat) is $+25^{\circ}\text{C}$.

In the EA design with a working temperature range of -60°C to $+55^{\circ}\text{C}$, the switching of the heating element is ensured by a thermal switch (F2) and not by electronic board.

Thermal switch of space heater (F2)

Supply voltage: corresponding with motor supply voltage (max. 250V AC, 5 A)

Switching-off temperature: $+30^{\circ}\text{C} \pm 4\text{K}$

Switching-on temperature: $+20^{\circ}\text{C} \pm 3\text{K}$

Manual control:

- with manual handle on the upper cover of the EA. Turn the manual handle clockwise to move the output shaft of the EA in the direction "Z – closed".

Output part clearance: max. 0,5 mm (typical value 0,2mm) at 5 % of maximum thrust load)

Grease: see chapter 4.2 Maintenance - extent and periodicity.

2.2.1 Mechanical Connection

- flange or pillars.

Main and connecting dimensions are given in the **dimensional drawings**.

2.2.2 Electric connection**To the terminal board (X, X1, X2, X3) for DMS 3 version:**

- 2 terminals (N, L) on the sourcing board for version 24 V AC/DC, with intersection of connection wire 0,05 - 1,5 mm² for solid wire and for flexible wire.
- 3 terminals (PE, N, L) on the sourcing board with intersection of connection wire 0,05 - 1,5 mm² for solid wire and for flexible wire. Max. terminal screw tightening torque 0,5 N.m.
- 3 terminals (2(L1), 3(L2), 4(L3) – for EA ULR 1PA-Ex version with 3- phase electric motor) with intersection of connection wire max. 0,08-2,5 mm² - screw-less terminal
- 5 terminals (PE, N, 2(L1), 3(L2), 4(L3) – for EA ULR 2PA-Ex version with 3- phase electric motor) with intersection of connection wire max. 0,08-2,5 mm² - screw-less terminal
- 2 terminals (5,6 - for version with 3- phase electric motor) with intersection of connection wire max. 0,08-2,5 mm² - screw-less terminal
- 2 terminals (OP,CL - for version with 3- phase electric motor) with intersection of connection wire max. 0,08-2,5 mm² - screw-less terminal
- 2 terminals (0 V, + 24V) - with intersection of connection wire 0,05 – 1 mm². Max. terminal screw tightening torque 0,19N.m.
- 5 terminals (READY, R1, R2) with intersection of connection wire 0,05 – 1,5 mm² for solid wire and for flexible wire. Max. terminal screw tightening torque 0,5 N.m.
- 10 terminals (COM, CLOSE, OPEN, I1, I2, +IN,-IN,SH,+L,-L) with intersection of connection wire 0,05 – 1 mm² for solid wire and for flexible wire. Max. terminal screw tightening torque 0,19 N.m.
- 6 terminals (COM1, RE3, RE4, RE5 COM5, NO5, NC5) - for module additional relays with intersection of connection wire 0,05 – 1,5 mm² for solid wire and for flexible wire. Max. terminal screw tightening torque 0,5 N.m.
- 11 terminals (COM1, RE1, RE2, RE3, RE4, COM5, NO5, NC5, COM, NO, NC - for module 6 additional relays with intersection of connection wire 0,05 – 1,5 mm² for solid wire and for flexible wire. Max. terminal screw tightening torque 0,5 N.m.

To the terminal board (X3) for DMS3 with MODBUS/Profibus protocol:

Terminal boards with spring connection are used, with cross-section of connection wire 0,08 to 2,5 mm²

- 3 terminals (PE, N, U) – supply voltage for version with single - phase
- 5 terminals (PE, N, U, V, W) – voltage for version with three - phase
- 2 terminals (21, 22) – voltage for the 24 V DC control
- 10 terminals (13,14,15,16,17) – terminals for the 24 V DC control (COM,CLOSE,OPEN, I1, I2)
- 6 terminals (1,2,3,4,5,6) – terminals 1 Channel interface of version Modbus/Profibus
- 6 terminals (7,8,9,10,11,12) - terminals redundant of version Modbus/Profibus (by version)
- 3 terminals (18,19,20) – module relay READY (by version)
- 5 terminals (18,19,20,23,24) – module additional relays (by version)

To the terminal board (X3) electrical connection in separate terminal box with protection type "e"

Used screw-less terminals with intersection of connection wire max. 0,08-2,5 mm², max. number of terminals 24.

Note: Number of terminals may vary depending on the specific equipment and the EA wiring diagram
Wire stripping length of the wires for screwless terminals is from 8 to 9mm.

Attention: Thermic resistance incoming wires must be minimum +90°C.

Cable glands :- for version without local control

For non-armored cables - as standard (temperature on entry of cables is max. 90°C):

- 1 cable gland - M20x1,5 ($\varnothing D = 3,2$ to 8,7 mm);
- 1 cable gland - M20x1,5 ($\varnothing D = 6,1$ to 11,7 mm);
- 1 cable gland - M20x1,5 ($\varnothing D = 6,5$ to 14,0 mm);

For armored cables - upon special order:

- 1 cable gland - M20x1,5 ($\varnothing D = 3,1$ to 8,6 / $\varnothing D_1 = 6,1$ to 13,4 mm);
- 1 cable gland - M20x1,5 ($\varnothing D = 6,1$ to 11,6 / $\varnothing D_1 = 9,5$ to 15,9 mm);
- 1 cable gland - M20x1,5 ($\varnothing D = 6,5$ to 13,9 / $\varnothing D_1 = 12,5$ to 20,9 mm);

- for version with local control

For non-armored cables - as standard (temperature on entry of cables is max. 90°C):

- 1 cable gland - M20x1,5 ($\varnothing D = 6,1$ to 11,7 mm);
- 1 cable gland - M20x1,5 ($\varnothing D = 6,5$ to 14,0 mm);

For armored cables - upon special order:

- 1 cable gland - M20x1,5 ($\varnothing D = 6,1$ to 11,6 / $\varnothing D_1 = 9,5$ to 15,9 mm);
- 1 cable gland - M20x1,5 ($\varnothing D = 6,5$ to 13,9 / $\varnothing D_1 = 12,5$ to 20,9);

$\varnothing D$ = connecting cable diameter

$\varnothing D_1$ = outside diameter of the connecting cable with armoring.

Cable glands for EA with the DMS 3 electronic control with Modbus/Profibus protocol

- 2 cable glands M20x1,5, cable diameter 9 to 13 mm
- 2 resp. 4 cable glands EMC M16x1,5 - cable diameter 6,5 to 9,5 mm, diameter of shielding 2,5 to 6 mm.

Cable glands for EA with the DMS 3 in separate terminal box with protection type "e"

- 2 cable glands M20x1,5, cable diameter 9 to 13 mm
- 2 resp. 4 cable glands M16x1,5 - cable diameter 6,5 to 9,5 mm, diameter of shielding 2,5 to 6 mm.

Table 2: Association of the cable diameter with cable glands type

Version	Thread	Type cable		Encapsulation of cable 1)	Diameter of cable		
		non-armored cables and not shielded	armored cables and shielded		inside	outside	
CMP / Stahl	A2F 16 / -	M16x1,5			-	3,2 - 8,7	
	A2F 20S16 / A2F 20s/16	M20x1,5	x	c)	-	3,2 - 8,7	
	A2F 20S				-	6,1 - 11,7	
	A2F 20				-	6,5 - 14,0	
	T3CDS 16 / -	M16x1,5			3,1 - 8,6	6,1 - 13,1	
	T3CDS 20S16 / T3CDS 20s/16	M20x1,5		x	c)	3,1 - 8,6	6,1 - 13,1
	T3CDS 20S / -					6,1 - 11,6	9,5 - 15,9
	T3CDS 20					6,5 - 13,9	12,5 - 20,9
	PXSS2K*** 20S16 / PXSS2K*** 20s/16	M20x1,5	x		a)	-	3,1 - 8,6
	PXSS2K*** 20S / -					-	6,1 - 11,7
	PXSS2K*** 20					-	6,5 - 14,0
	PX2K*** 20S16 / PX2K*** 20s/16	M20x1,5		x	a)	max. 11,7	6,1 - 13,1
	PX2K*** 20S / -					max. 11,7	9,5 - 15,9
	PX2K*** 20					max. 12,9	12,5 - 20,9
	E1F* 20S16 / E1F* 20s/16	M20x1,5		x	c)	3,1 - 8,6	6,1 - 13,1
	E1F* 20S / -					6,1 - 11,6	9,5 - 15,9
	E1F* 20					6,5 - 13,9	12,5 - 20,9
	E2FW 20S16 / -	M20x1,5		x	c)	3,1 - 7,8	6,1 - 13,1
	E2FW 20S / -					6,1 - 11,0	9,5 - 15,9
	E2FW 20 / -					6,5 - 13,4	12,5 - 20,9
Pflitsch	Lex 216***** HTS	M16x1,5	x		c)	-	7,0 - 11,0
	Lex 220***** HTS	M20x1,5				-	8,0 - 14,0
Pflitsch / Peppers	K32.AC 12.20..13CR.ext... / CR*** 16	M20x1,5		x	c)	3,4 - 8,4	8,4-13,5
	K32.AC 12.20..16CR.ext... / CR*** 20S					7,2-11,7	11,5-16,0
	K32.AC 12.20..21CR.ext... / CR*** 20					9,4-14,0	15,5-21,1
	K35.AC 15.20..13CRCexd... / CR-C*** 16	M20x1,5		x	a)	max. 11,7	9,0/8,4 - 13,5
	K35.AC 15.20..16CRCexd... / CR-C*** 20S					max. 11,7	11,5-16,0
	K35.AC 15.20..21CRCexd... / CR-C*** 20					max. 14,0	15,5-21,1
Peppers	A*LDS*F 16	M16x1,5	x		c)	-	4,0 - 8,4
	A*LDS*F 20s	M20x1,5				-	7,2 - 11,7
	A*LDS*F 20					-	9,4 - 14,0
	CR-U 16	M20x1,5	x		a)	-	3,4 - 8,4
	CR-U 20S					-	4,8-11,7
	CR-U 20					-	9,5-14,0
Hawke	501/421 (2K/Os/O)	M16x1,5	x		b)	-	3,2-8,0 / 3,2-8,0 / 6,5-10,9
	501/421 (Os/O/A)	M20x1,5				-	3,2-8,0 / 6,5-11,9 / 10,0-14,3
	501/423 (Os/O)	M16x1,5	x		b)	-	3,2-8,0 / 6,5-10,9
	501/423 (Os/O/A)	M20x1,5				-	3,2-8,0 / 6,5-11,9 / 10,0-14,3
	501/453/RAC (Os/O)	M16x1,5		x	b)	3,2-8,0 / 6,5-10,9	5,5-12,0 / 9,5-16,0
	501/453/RAC (Os/O/A)	M20x1,5				3,2-8,0 / 6,5-11,9 / 10,0-14,3	5,5-12,0 / 9,5-16,0 / 12,5-20,5
	501/453/UNI (Os/O)	M16x1,5		x	b)	3,5-8,1 / 6,5-10,9	5,5-12,0 / 9,5-16,0
	501/453/UNI (Os/O/A)	M20x1,5				3,5-8,1 / 6,5-11,4 / 8,4-14,3	5,5-12,0 / 9,5-16,0 / 12,5-20,5
	ICG 653/UNIV (Os/O/A)	M20x1,5		x	a)	max. 8,0 / 8,8 / 10,8	5,5-12,0 / 9,5-16,0 / 12,5-20,5
Hummel	HSK-M-Ex d	M16x1,5	x		c)	-	5-10 / 3-7
	HSK-M-Ex d	M20x1,5				-	10-14 / 7-12
	HSK-Mz-Ex d	M16x1,5				-	5-10
	HSK-Mz-Ex d	M20x1,5				-	10-14
Agro	EX1126.17.**.**0	M16x1,5	x		c)	-	3-5 / 7-10
	EX1126.20.**.**0	M20x1,5				-	5-9 / 11-14

1) Encapsulation of cable:

For cable glands fixing there is used glue WEICONLOCK AN 302-43.

a) Barrier gland – type of gland with Compound (Barrier) Seal

b) Sealing of cable core using the filling compound, see section 3.1.2 Cable routing for their connection.

c) The cable used must be in accordance with STN EN 60079-14, chapter 10.6.2.

Attention: Thermic resistance incoming wires must be minimum +90°C.

Wire cross-section conversion table (mm² – AWG)

Wire cross-section conversion table (mm ² – AWG)	
Wire cross-section	
mm ²	AWG
0,05	30
0,2	24
0,34	22
0,5	20
0,75	18
1,5	16
2,5	14
Tightening torque conversion table (N.m – lbs.-in)	
Tightening torque	
N.m	lbs.-in
0,2	2,7
0,3	4
0,5	7

Protective terminal:

Upon start-up in operation - at equipment installation:

for safe use of the actuator it is necessary to connect the **outside** and **inside grounding terminal**. The position of the outside and inside grounding terminal can be seen in Fig. 1C and Fig. 1D, Fig. 1F and Fig. 1E.

For EA version with separate terminal box (version with communication protocol Modbus / Profibus) , is the location of the external and internal protection terminal shown on Fig. 1E.

HP3 insulated eyelet crimping pliers should be used to crimp wire to the outside grounding terminal (fy CEMBRE).

Outside and inside earth terminal are mutually interconnected and identified with a protective grounding symbol.

There must be power switch or motor circuit breaker included to the power supply which must be placed as close as possible to the device, easily accessible to the operator and marked as an disconnecting device of actuator.

The electrical connection is made according to the wiring diagrams inserted or. glued to the top cover of the EA.

Product protection

To protect the product, we recommend using fuses or a suitable circuit breaker.

Fuses:

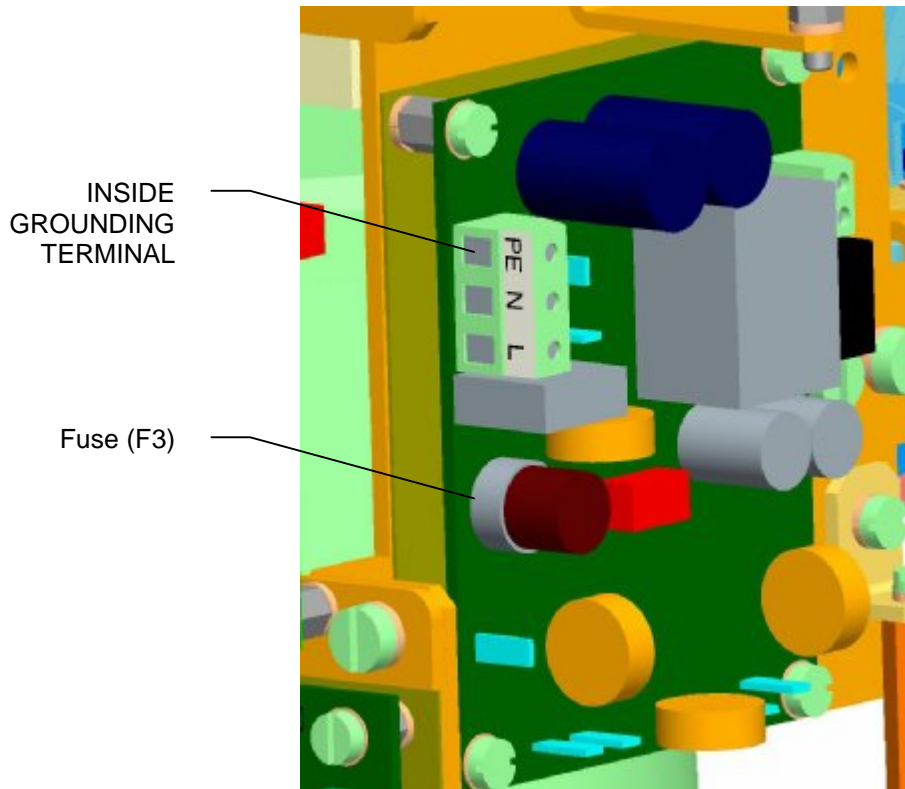
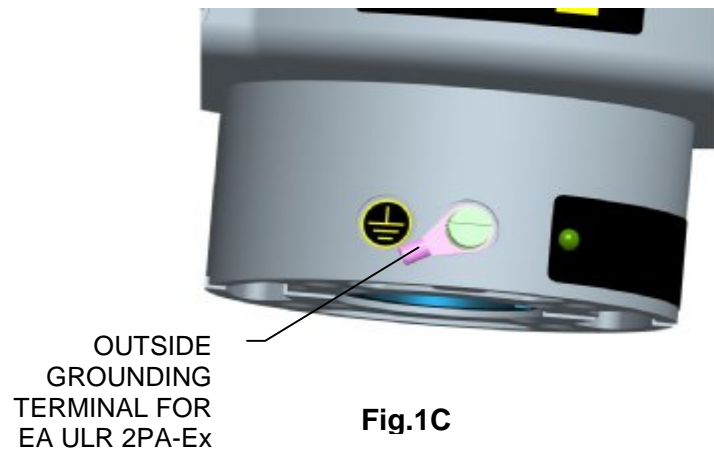
Actuator power supply board for version 24V AC/DC is installed with power supply fuse (F3). Location of the fuse on the power supply board can be seen in Fig.1H.

Actuator power supply board is installed with power supply fuse (F3). Location of the fuse on the power supply board can be seen in Fig.1D.

ES equipped with a contactless switching module (SSR) are additionally protected by fuses (F4-1 and F4-2) on the holder Fig.1G.

Fuse values and characteristics

Type	Order code	Voltage	Frequency (Hz)	Electric motor Power / Power input (W)	max. current EA (A)	Fuse values F3	Fuse value only for version with SSR) F4-1 F4-2 (6,3x32mm)
ULR 1PA-Ex 546	546.X- 0XXXX/YY	230 VAC	50	40/90	0,8	F 2,5 A / 250 V	-
	546.X- LXXXX/YY	220 VAC					
	546.X- TXXXX/YY	120 VAC	60	40/90	0,94		
	546.X- BXXXX/YY	110 VAC	60				
	546.X- 2XXXX/YY	3x400 VAC	50	40/110	0,42	F 2,5 A / 250 V	-
	546.X- NXXXX/YY	3x380 VAC					
ULR 2PA-Ex 547	547.X- 0XXXX/YY	230 VAC	50	60/120	1,06	F 2,5 A / 250 V	-
	547.X- LXXXX/YY	220 VAC					
	547.X- TXXXX/YY	120 VAC	60	70/125	1,5		
	547.X- BXXXX/YY	110 VAC	60	70/125	1,5		
	547.X- 2XXXX/YY	3x400 VAC 3x415 VAC	50	90/150	0,68	F 2,5 A / 250 V	-
	547.X- EXXXX/YY						-
	547.X- NXXXX/YY	3x380 VAC					FF 3,15A/500V
	547.X- FXXXX/YY						-
	547.X- FXXXX/YY						FF 3,15A/500V
	547.X- 0XXXX/YY	230 VAC	50	120/228	1,6	F 3,15 A / 250 V	-
	547.X- LXXXX/YY	220 VAC					
	547.X- TXXXX/YY	120 VAC	60	120/228	2,5		
	547.X- BXXXX/YY	110 VAC	60	120/228	2,5		
	547.X- 2XXXX/YY	3x400 VAC 3x415 VAC	50	180/300	0,97	F 2,5 A / 250 V	-
	547.X- EXXXX/YY						-
	547.X- NXXXX/YY	3x380 VAC					FF 3,15A/500V
	547.X- FXXXX/YY						-
547.X- FXXXX/YY						FF 3,15A/500V	



INSIDE GROUNDING
TERMINAL
FOR EA UPR2 PA-Ex-
Three-phase version

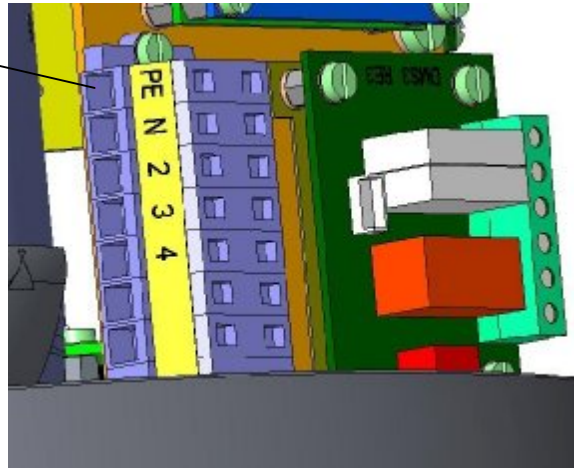


Fig.1F

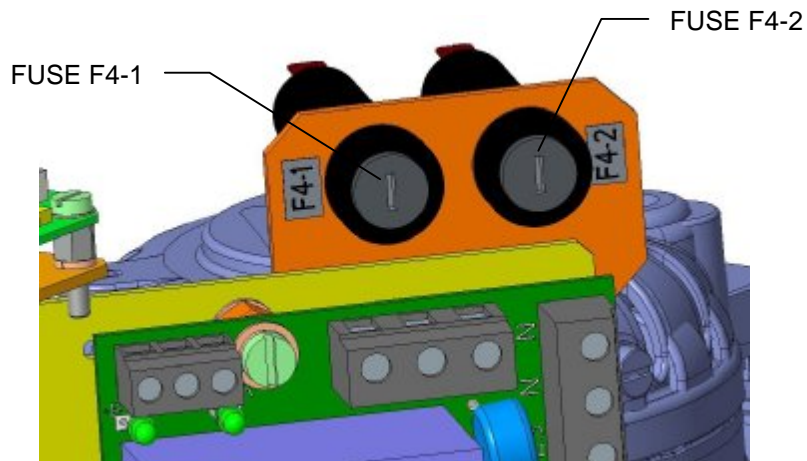


Fig.1G



FUSE OF
AC/DC MOTOR
(F3)

Fig.1H

3. Installation and dismantling of actuator



Abide by safety measures!

Note:

Check again if placement of EA reply to chapter "Operation conditions". In case that operation conditions are different from recommended, consultation with producer is needed.

Before starting of mounting the EA onto the valve:

- Check again whether the EA was not damaged during storing.
- Check whether the adjusted operation stroke and connecting dimensions of the actuator (see the nameplate) are in compliance with the valve parameters.
- In case of inconsonance, perform adjusting according to the part "Adjustment".

3.1 Installation

EA is by the producer adjusted to parameters according to the nameplate.
Before installation put the handwheel on.

3.1.1 Mechanical connection flange connection

- Defat the abutting areas of the connecting flange of the EA valve or the gear carefully;
- Lubricate the output shaft of the valve/gear with a grease not containing any acids;
- Set the EA to the limit position "closed", set the valve to the same position;
- Put the EA onto the valve with the output shaft reliably stalled in the valve coupling/gear;
- **Attention! Do not adjust EA on an armature forcibly because of damage of the gear!**
- Use the handwheel to turn the EA to fit the openings in the EA and valve flanges if needed;
- Check whether the connecting flange abuts with the valve/gear.
- Fix the flange with four screws (with mechanical strength min 8G) fixed the way the actuator can Be moved. Tighten the screws equally in cross.
- At the end check the correctness of the fixture with the valve with rotating the handwheel.

3.1.2 Cable routing and connection

- **Direct entry to flameproof enclosure** (compound filling around cable cores):
- Cable glands system must comply with the requirements of EN 60 079 art. 10.4.2 direct entry to flameproof enclosures class IIC.
- Cable glands threads are secured against loosening by WEICONLOCK AN 302-43 adhesive.
- Therefore during installation of the actuator the customer is required to **apply non-explosive sealing device** using a compound filling material and sealing tubes.

Temperature on entry of cables is max. 90°C.

Follow the following instructions when compound filling the cable cable glands:

- 1) Remove sufficient length of cable sheathing - minimum length of compound filling must be at least 20mm.
- 2) Apply silicone putty on individual cable core branching and to the cut edge of the sheathing to prevent overflowing of the filling compound during subsequent filling. Apply sealing tubes over cable cores and press the beveled inside edge to the cable sheathing.
- 3) Fill the tube with the cable core using the filling compound prepared according to the instructions.
- 4) After the compound has cured (about 24 hour) clean the cable under the tube. Remove the tightening nut, compression ring and sealing o-ring from the actuator cable glands and slip these parts over the cable. Route the cable through the body of the cable glands into the actuator and tighten the nut.
- 5) Connect individual wire cores to the terminals.

Advantage: in case of replacement or repair of the actuator, there is no need to cut the cable, it is just released from the cable glands.

Sealing of cable core using the filling compound (Fig. 1e):

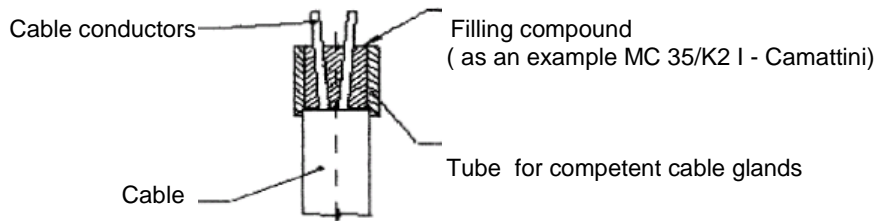


Fig. 1e

3.1.3 Electric connection and checking of function

Follow up with connecting the EA with mains or master system.



1. Follow instructions in the part "Requirements for specialized...!"

2. While laying electrical line abide by the instructions for heavy current installations. Power supply cables must be of the type approved. Minimum thermal resistance of power supply cables and wires must be +90°C.

3. Cables to terminal boards or connectors lead through cable glands.

4. Before initiation ES into operation internal and external protection terminals are needed to be connected.

5. While fixing the cable it is needed to count with allowed bend radius to avoid damaging or deformation of the sealing element of the cable gland. The leads are to be fixed with the solid construction at most 150 mm from the cable glands.

6. Wires of input control signals to controller and output signals it is necessary to lead them separately with thrust wires or it is necessary to use shielded wires.

7. Reversation of the EA is sure, if the period between switching-off and switching-on of power supply for the reversed movement of the output part is minimally 50 ms.

8. The EA are delivered with cable glands, which in case of tight putting on the leads assure protection enclosure up to IP 68.

9. The face areas of the control part cover have to be before re-mounting clean, coated with grease without any acid (e.g. vaseline) and sealing not damaged to avoid joint corrosion.

Connecting with the master system:

EA can be controlled by: - by analogue signals through the built-in controller

- by binary inputs 24 V DC
- with Modbus/Profibus communication protocol

EA is connected according to wiring diagram under the cover of EA.

NOTES:

1. To connect the input control signals and output signals is needed to use shielded wires with steel wire braid (Galvanised Steel Wire Braid GSWB Ξ), for example cable type "Bruflex $\text{\textcircled{R}}$ HSLCH", 4x0, 5 (company Bruns Kabel).

2. Electrical installation of the actuator and its connection to switching, protection and safety devices can be

performed by a person with competent qualification only. All the respective standards and electric wiring diagrams cited in the Manual must be kept.

3. The control of all the terminals must be realized after electrical connection of inlet cables. Junction terminals must not be stressed by the connected cables neither by traction nor by bending. Performance of the following measure is recommended in case alluminium wires are used:

Immediately before the installation of the aluminium wire the oxidized layer on the wire must be removed and to prevent a new oxidation of the junction a neutral vaseline shall be applied.

Important note:



1) Please avoid (in a standard way) any electric connection of the actuator to the electric net during adjusting, repair and maintenance activities. Keeping this you avoid the potential injury caused by electric current or rotation of the actuator.

In version *MTR 3PA-Ex* it is necessary to do **autocalibration** in operation according by enclosure assure the optimal function.



Abide by instructions of valve producers, whether switching-off end positions is to be realised with position or thrust!

3.2 *Dismantling*



***Before dismantling it is required to disconnect the EA from mains!
Do not connect and disconnect live connectors!***

- Disconnect the EA from mains.
- Disconnect the leads from the EA terminal boards and loosen the cables from cable glands. Pull out the connectors in case of the connector version.
- Loosen the fixing screws of the EA flange and coupling screws and disconnect the EA from the valve.
- While sending the EA to be repaired put it into a package solid enough to avoid damages of the EA during transportation.

4. Adjusting of actuator



Attention! See the Chapter 1.6 Requirements for specialized ...

Keep safety regulations! Follow the prescribed procedure to assure that the EA is not connected to mains when live not to cause any injury by electrical current!

EA are delivered adjusted onto parameters according to nameplate from Production plant.

Adjustment is made onto mechanical and electrical connected actuator. This chapter describes how to set up the EA to parameter values within a range applicable for the software. Location of adjustable parts of control board is on **Fig. 6 and Fig. 6a**.

Adjusting is possible:

- by operating the control unit buttons (see **Fig. 6 and Fig. 6a**);
- by operating the local control panel buttons (see **Fig. 7**) – only for the EA s equipped with local control;
- through the programme once the EA is connected to the PC using the communication cable.

For the specific adjustment procedure or individual parameters reset see individual appendixes **74 1053 02, 74 1076 02**.

For facilitating the simple setting of required operation parameters, the control unit is equipped with :

- four setting buttons: **MENU, P, O, C**
- six signal lamps according (LED diode) to **Fig. 6 and Fig. 6a**.

Status indication by means of LED diodes:

LED ERROR (red) – blinks red in case of failure eventually lights in the parameter setting mode

LED OPEN / MENU (green) – in the ON/OFF mode it lights with a control action for the **opening** direction eventually blinks with accessing the MENU mode

LED CLOSE / PAR (red) – in the ON/OFF mode it lights with a control action for the closing direction eventually blinks besides the chosen parameter in the menu and lights up at writing the parameter into the memory

- **LED I1 / SEL** (yellow) – permanent lights with active input I1, or flash in the mode of parameters set up.
- **LED I2** (yellow) – permanent lights with active input I2
- **LED POWER** (green) – it light on at leading the power supply.

Additional LED for version with MODBUS communication

- **LED DEX1** (žltá) – trvalo svieti pri komunikácii Modbus kanál 1
- **LED DEX2** (žltá) – trvalo svieti pri komunikácii Modbus kanál 2

Additional LED for version with Profibus communication

LED DEX1/ERR (yellow/red) - Profibus chanel 1

yellow - permanent lighting by active communication, chanel in DATA Exchange mode

red - permanent lighting by faulty communication, chanel is not in DATA Exchange mode

red - blinking by Fatal Error (necessary to restart an actuator - switch-off and afterthen switch on)

LED DEX2/ERR (yellow/red) - Profibus chanel 2

yellow - permanent lighting by active communication, chanel in DATA Exchange mode

red - permanent lighting by faulty communication, chanel is not in DATA Exchange mode

red - blinking by Fatal Error (necessary to restart an actuator - switch-off and afterthen switch on)

Electronics - programme selections option (according to version):

- **relé R1; R2:RE3-RE5** : disabled; open position, close position, torque-open, torque – close, torque open or torque close, torque open or position open, torque close or position close, open, close, movement, movement flasher, to position, from position, warning, remote control, local control, control shut off.

- **relay READY**: errors, errors or warnings, errors or no remote, errors or warnings or no remote.

- **output signal** (from EPV passive): 4 to 20 mA; 20 to 4 mA.

- **control (regulating)**: 2P, 3P, 3P/2P I2

- **input control signal** (N): 0/4/12 up to 20 mA, 4 up to 12 mA, resp. 0/2 up to 10 V.

- **input I1**: DISABLED, ESD, DBL (local releasing - not valid for EA without local control), STOP

- **input I2:** DISABLED; ESD; DBL (local releasing - not valid for this type of the EA), 2P resp. E2P (for control programme option 3P/2P I2, or in case of active communication through Modbus/Profibus protocol, allows control using the binary 24V DC inputs with I2 input activated).
- **FAILURE REACTION:** OPEN, CLOSE, STOP, SAFE POSITION

The identical functions cannot be set on I1 & I2 inputs in addition to the OFF state (e.g., if the ESD function is set on I1 input, it is not possible to select the ESD function on I2 input at the same time).

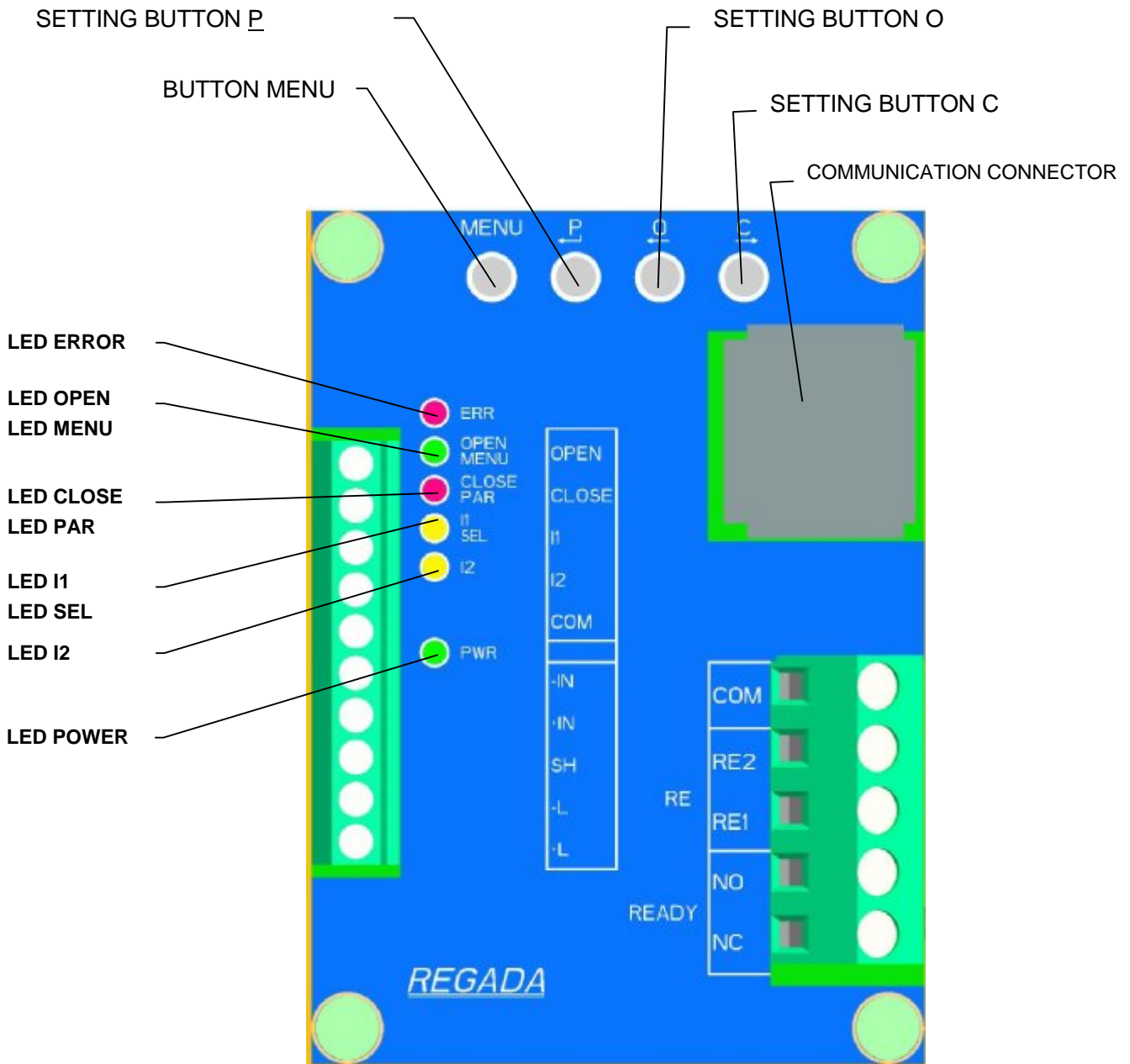


Fig. 6

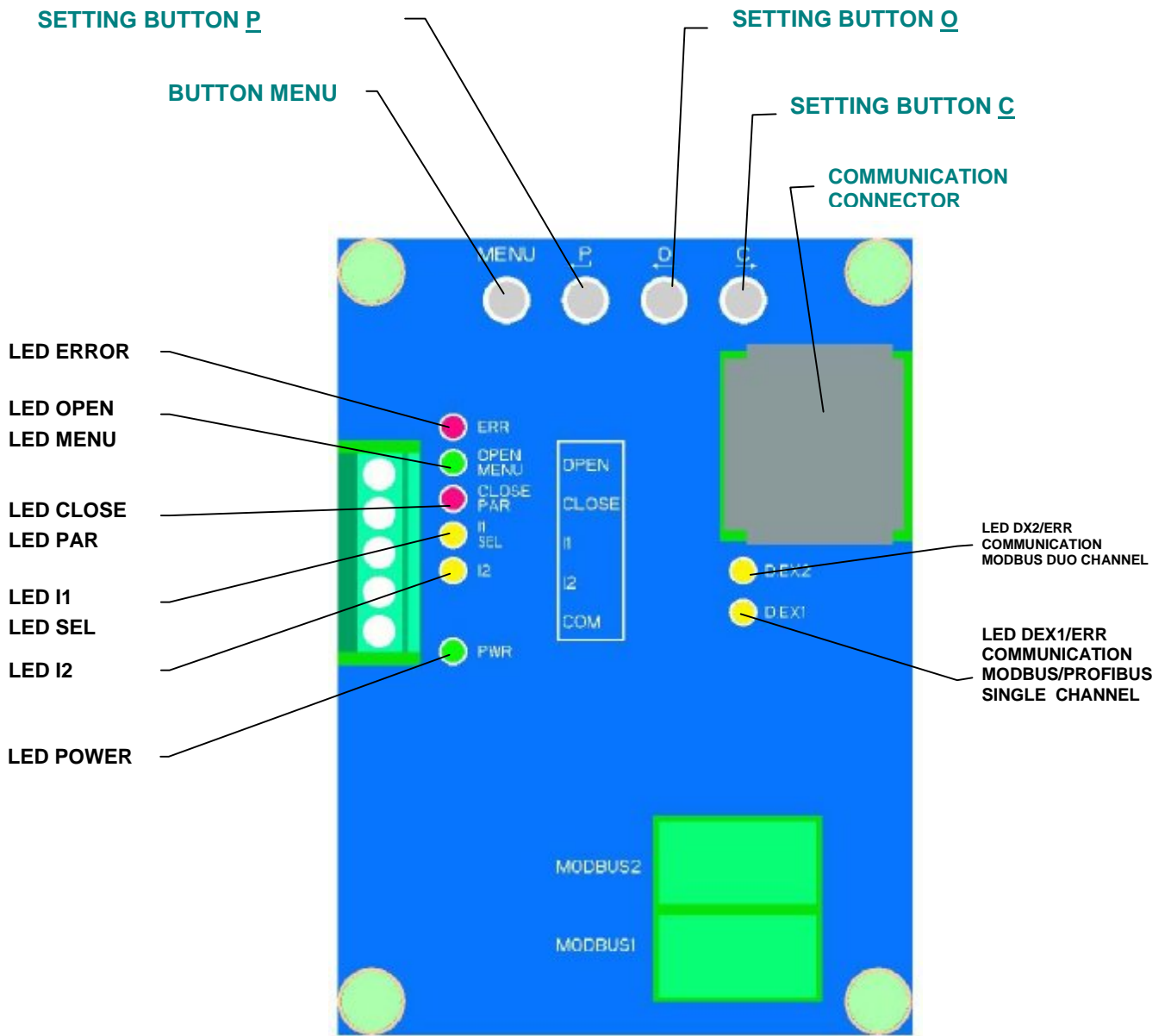


Fig.6a

4.1 EA control set-up options (regulating)

4.1.1 Control setting possibilities for EA´s with DMS3 electronic control

2P CONTROL

Setting-up: **2P** control + other functions, in addition to **STOP** on I1 terminal:

The EA moves either to the OPEN or CLOSE direction with **24V DC** voltage supplied to terminals **OPEN** or **CLOSE**. The EA stops if power supply is cut-off or the end position is reached.

2P PULSE CONTROL

Setting-up: **2P** control + **STOP** function on I1:

The EA moves either to the OPEN direction or closes with **24V DC** voltage pulse supplied on connectors **OPEN** or **CLOSE**. The EA stops – shutting off - once the 24V DC voltage is supplied on I1 connector (STOP) or the set end position is reached.

3P CONTROL (REGULATING)

Setting-up: 3P control + other functions, in addition to STOP on I1 and other ones in addition to 2P on I2 input.

The EA moves either to the OPEN or CLOSE direction with 0/4/12 up to 20 mA, 4 up to 12 mA (0/2 up to 10V) **input control signal** supplied on terminals **+IN, -IN**. The EA stops once the required position is reached (corresponding with the input control signal supplied) or the set end position is reached.

Note: The ES fails to stop in case that the STOP function is selected on I1 input with 3P control mode and 24V DC voltage supplied on I1 terminal.

3P/2P switched over to I2

Setting-up: **3P/2P** control switched over to **I2** function is automatically selected for **I2** input function in selecting this control option) + other functions in addition to STOP on I1:

The EA moves either to the OPEN or CLOSE direction with 0/4/12 up to 20 mA, 4 up to 12 mA (0/2 up to 10V) **input control signal** supplied on terminals **+IN, -IN**. The EA stops once the required position is reached (corresponding with the input control signal supplied) or the set end position is reached.

The EA stops to respond to signal **0/4/12 to 20 mA, 4 to 12 mA (0/2 to 10 V)** input control signal and rests in case of **I2 active input** (with 24V DC constantly ON or OFF – as per I2 function set-up to ACTIVE – or supplied on I2 connector). The EA is allowed to move either to the **OPEN** or **CLOSE** direction with **24V DC** voltage supplied to terminals **OPEN** or **CLOSE**. The EA stops if power supply is cut-off or the end position is reached. The EA stops to respond to the input control signal and fixes its position once the supply voltage on I2 is OFF.

3P/2P switched over to I2 (PULSE 2P)

Setting-up: **3P/2P control switched over to I2** (**2P** function is automatically selected for **I2** input function in selecting this control option) + other functions in addition to **STOP** on I1:

The EA moves either to the OPEN or CLOSE direction with **input control signal** 0/4/12 up to 20 mA, 4 up to 12 mA (0/2 up to 10V) supplied on connectors **+IN, -IN**. The EA stops once the required position is reached (corresponding with the input control signal supplied) or the set end position is reached.

The EA stops to respond to **0/4/12 to 20 mA, 4 to 12 mA (0/2 to 10 V)** input control signal and rests in case of **I2 active input** (with 24V DC constantly ON or OFF – as per I2 function set-up to ACTIVE – or supplied on I2 terminal). The EA is allowed to move either to the OPEN or CLOSE direction with **24 V DC** voltage pulse supplied connectors **OPEN** or **CLOSE**. The EA stops once the 24V DC voltage is supplied on I1 terminal (STOP) or the set end position is reached.

The EA stops to respond to the input control signal and fixes its position once the supply voltage on I2 is OFF.

4.1.2 Control setting possibilities for EA's with DMS3 electronic control with MODBUS/Profibus protocol

2P CONTROL (two position controller)

Setting: the two position controller is activated by setting the bit 3P=0 in the corresponding Modbus/Profibus register:

The EA moves in the direction of open or closed **when the bits are set as OPEN, resp. CLOSE in the corresponding Modbus/Profibus register.**

3P CONTROL (three position controller)

Setting: the three position controller is activated by setting the bit 3P=1 in the corresponding Modbus/Profibus register:

The EA moves in the direction of open or closed **in accordance with the requirements sent through the Modbus/Profibus interface.**

EMERGENCY CONTROL

Note: In cases where the EA is equipped with a local control, it is possible to activate the emergency control only if the local control block is set to remote control. The local control block has higher priority than the **ESD** or **E2P**.

- **ESD (Emergency Shutdown)** – is activated when the function parameter is set as **I1=ESD** and the I1 input is activated or when the function parameter is set as **I2=ESD** and the I2 input is activated. The EA takes up the position which corresponds to the settings of the **response to error parameter after input activation**. The **ESD emergency control has higher priority than the E2P control**.
- **E2P (Emergency 2P)** – is activated when the function parameter is set as **I2=E2P** and the I2 input is activated. The **E2P emergency control has lower priority than the ESD control**. Emergency 2P operates in two modes and uses the following inputs:
 - **Permanent signal** – the EA opens or closes only when a signal is present on the **OPEN, CLOSE inputs**.
 - **Impulse mode** – the EA opens or closes after supplying an impulse to the **OPEN, CLOSE inputs**. The EA is stopped after supplying an impulse to the **I1 input**. This mode is similar to the settings of the function **I1=STOP**.

4.2 Procedure for setting individual parameters and the register of errors and warnings

- is given in the separate attachment 74 1053 02 resp. 74 1076 02 of these operating instructions.
The factory default setting of individual programmes shown in Table 3 and Table 4, as long as otherwise specified by the customer:

Table 3

Factory default settings of individual parameters in version without local control; possibility to set-up by operating the control unite buttons.

For the individual parameters set-up see appendix 74 1053 02

MENU			NAME	FACTORY SETTING-UP	
DMS3	MODBUS	PROFIBUS			
1			TORQUE	100% of value shown on nameplate for OPEN & CLOSE direction.	
2			END LIMIT	- C = Position + O = Position - end position switching closed and open from position if valve type is not specified - C = Torque + O = Position - closed in end by thrust position and end position switching open from position for single-seat valves - C = Torque + O = Torque – switching in both end positions by thrust for double-seat valves	
3			TORQUE BLOCKING	- 2 sec. blocking time - 5% blocking position for OPEN & CLOSE direction	
4			RELAY READY	- errors (READY COM-NO relay contacts closed in error free conditions)	
5			RELAY R1..RE5	- position O for relay R1 - position C for relay R2 - from position 95% for relay RE3 - To position 5% for relay RE4 - disabled for RE5 relay	
6	-	-	CPT (output signal)	4 to 20 mA	
7	-	--	REGULATION – (according to specification)	2P	3P
			ANALOG INPUT	-	4 to 20 mA (2 to 10 V)
-	5	-	ADDRESS	2	
-	-	6	ADDRESS 1	2	
			ADDRESS 2	3	
-			BAUDRATE PARITY REDUNDANCY	115200 bit/s EVEN OFF (for 1 Channel version) COMPONENT (for redundant version)	
-	-	7	REDUNDANCY	OFF (for 1 Channel version) Single (for redundant version.)	
8			DEAD ZONE	-	3 %
9			FAILURE REACTION	STOP	

Other parameters set-up is possible to change only by using the PC software

TITLE	FACTORY SETTING-UP
DIRECTION OF ROTATION	clockwise
THERMOSTAT TEMPERATURE	25 °(space heater OFF temperature)
INTERNAL DEAD ZONE	2 % (only for 3P)
Safe position	0 %
FUNCTION I1	ESD
ACTIVE I1	high level
FUNCTION I2	DISABLED
ACTIVE I2	high level
THERMAL FUSE FAILURE	at this type of EA functionless

FUNCTION I2	DISABLED
ACTIVE I2	high level
THERMAL FUSE FAILURE	for this type of electric actuators is inoperative
THERMAL FUSE RESET	for this type of electric actuators is inoperative
CYCLE MODE	DISABLED
CYCLE RUNNING TIME	10 s
CYCLE PAUSE	50 s
CYCLE POSITION O1	0 %
CYCLE POSITION O2	100 %
CYCLE POSITION C1	0 %
CYCLE POSITION C2	100 %
O AND C TOLERANCE	1 %
CREATE BACKUP	START
RESTORE FROM BACKUP	START
RESTORE FACTORY SETUP	START
ACTIVE ERRORS	CLEAR
DIRECTION OF ROTATION	clockwise
CONNECT TIME (Modbus)	3s

Table 4			
Factory default settings of individual parameters in version with local control; possibility to set-up by operating the local control buttons. For the individual parameters set-up see appendix 74 1076 02.			
MENU			FACTORY SETTING-UP
		NAME	
DMS3	MODBUS	Profibus	
1		JAZ/LANGUAGE	English (select language on LCD display)
2		POSITION O	work angle range set as per EA specification
3		POSITION C	
4		REG. CALIBR.	START
5		END LIMIT	<p>- C = Position + O = Position - end position switching closed and open from position if valve type is not specified</p> <p>- C = Torque + O = Position - closed in end by thrust position and end position switching open from position for single-seat valves</p> <p>- C = Torque + O = Torque - switching in both end positions by thrust for double-seat valves</p>
6		TORQUE O	100% of value shown on nameplate
7		TORQUE C	100% of value shown on nameplate
8		BLOCK. TIME	2 s
9		BLOCK. POS. O	5 %
10		BLOCK. POS. C	5 %
11	-	-	CPT (output signal) 4 to 20 mA
12	-	-	REGULATION-(according to 2P 3P
13	-	-	ANALOG. INPUT - 4 to 20 mA (2 to 10 V)
14	16	14	DEAD ZONE - 3 %
15	17	15	INT. DEAD Z. - 2 %
16	18	16	FAIL. REACT. STOP
17	19	17	SAFE POSIT. 0 %
18	20	18	FUNCTION I1 ESD
19	21	19	ACTIVE I1 high level
20	22	20	FUNCTION I2 DISABLED
21	23	21	ACTIVE I2 high level
22	24	22	THERMO. FAIL. (THERMAL FUSE at this type of EA functionless
23	25	23	THERMO. RESET (THERMAL FUSE ac) at this type of EA functionless
24	26	24	RELAY READY errors
25	27	25	RELAY 1 Position O (POSITION OPEN)
26	28	26	RELAY 1 POS. 0 %
27	29	27	RELAY 2 Position C (POSITION CLOSE)
28	30	28	RELAY 2 POS. 0 %
29	31	29	RELAY 3 FROM POSITION
30	32	30	RELAY 3 POS. 95 %
		31	RELAY 4 TO POSITION
		32	RELAY 4 POS. 5 %
33	35	33	RELAY 5 DISABLED (OFF)
34	36	34	RELAY 5 POS. 0 %
35	37	35	CYCLE MODE DISABLED
36	38	36	CYCLE RUN. T. 10 s
37	39	37	CYCLE PAUSE 50 s
38	40	38	OC TOLERANCE 1 %
39	41	39	INFORMATION TORQUE

40	42	40	RESTORE BACK.	START
41	43	41	CREATE BACK.	START
42	44	42	RESTORE FACT.	START
43	45	43	ACTIVE ERR:	CLEAR
-	-	44	DIRECTION OF ROTATION	clockwise
-	11	-	ADDRESS	2
-	12	-	BAUDRATE	115200bit/s
-	13	-	PARITY	EVEN
-	14	-	REDUNDANCY	OFF (for single Channel version) COMPONENT (for duo Channel version)
-	15	-	CONNECT TIME	3s
-	-	11	ADDRESS 1	2
-	-	12	ADDRESS 2	3
-	-	13	REDUNDANCY	OFF

Other parameters set-up is possible to change only by using the PC software

NAME	FACTORY SETTING-UP
DIRECTION OF ROTATION	clockwise
THERMOSTAT TEMPERATURE	25 °(space heater OFF temperature)
CYCLE POSITION O1	0 %
CYCLE POSITION O2	100 %
CYCLE POSITION C1	0 %
CYCLE POSITION C2	100 %
LCD CONTRAST	0

Warning 1: When the input control signal is set to the value 0 , 20 mA (0 to 10 V), or 20 , 0 mA (10 to 0 V) and the input control signal fails, then the EA keeps the position as with a 0 mA (0 V) input signal (EA doesn't recognise between input signal fail and 0 mA (0 V) input signal)- not valid for EA EA's with DMS3 electronic control with Modbus/Profibus protocol.

Warning 2: Auto-calibration process doesn't run if triggered in time when the EA is in error state, e.g. EA is overloaded (EA is switched -off from torque). In such case is necessary to resolve issue, e.g. the EA must be moved in a position in which is not switch-off from torque and to start the auto-calibration again.

Warning 3: Calibration process must be performed at any change of the operating angle value of more than 10%.

Warning 4: Operate adjusting button **P** on the control to activate the calibration process or start it from **MENU 4** in the version with local control (use the buttons on local control) or from the programme once the EA is connected to the PC. All calibration start methods have been equal.

Note No. 5: In case that EA with supply voltage 3x400V AC after calibration start shows the error „rotation direction“ (error No. 7), it is necessary to stop EA by switching-off the supply voltage and change the phases sequence on the terminals 2 and 3 (change mutually phases wires) and after switching-on the supply voltage run n the calibration again.

Rotation direction definition of the electric actuator's output element

The output rod of the actuator while rotating in the direction "Close" protrudes from the actuator. It means that the direction of rotation of the actuator is set as clockwise.

In case the direction of rotation shall be changed the parameter „Direction of rotation of the actuator“ must be adjusted as anticlockwise. This parameter can be adjusted through the PC only by use of the EHL Explorer SW. The PC must be connected to the actuator via communication cable and the window "Parameters" used for direction adjustment, in some cases by local control buttons.

4.3 **Putting an EA into operation when the EA is set up and connected with the armature already in the production plant (starting the calibration)**

If EA is delivered from manufacturing plant joined with valve, or with control device, **calibration** must be performed to ensure correct operation, under actual pipeline conditions.

The procedure is as follows:

- fit the given assembly into the specified technology complex
- connect the EA on the supply voltage electrically according to the wiring diagram and chapter Electric connection and checking of function.
- introduce the EA into an mid-position (see Note 2 presented above)
- switch on the supply voltage
- **start the EA calibration** by pressing the **P** button on the control unit **for 2 seconds as minimum** until LED ERROR (red), LED MENU (green) and LED PAR (red) light up – see also the procedure in the separate attachment **No.74 1053 02**
- release the **P setting button**
- after releasing the **P** button the calibration procedure starts – inertia measuring
- after the calibration procedure is finished, the EA is prepared for its operation and starts to response to control inputs
- if changes to some parameters would be necessary, proceed please according to the instructions given in the separate attachment **No. 74 1053 02**.

4.4 **Putting an EA into operation when the stroke and parameter setting done by the producer suit to your needs**

When an EA is delivered from the producer without armature and the setting of stroke (stroke end positions) and other parameters done by the producer suit Your needs, please proceed as follows:

- connect the EA with the armature to be controlled (**according to chapter 2**) and fit this assembly into the specified technology complex
- connect the EA electrically according to the wiring diagram and chapter Electrical connection and checking of function
- introduce the EA into an mid- position (see Note 2 presented above)
- switch on the supply voltage
- start the EA calibration by pressing the **P** button on the control unit **for 2 seconds as minimum** until LED ERROR (red), LED MENU (green) and LED PAR (red) light up – see also the procedure in the separate attachment No. 74 1053 02
- release the **P** setting button
- after releasing the **P** button the calibration procedure starts
- after the calibration procedure is finished, the EA is prepared for its operation and starts to response to control inputs
- if changes to some parameters would be necessary, proceed please according to the instructions given in the separate attachment No. 74 1053 02.

4.5 **Putting an EA into operation when it is necessary to do a change to the stroke (setting new end positions), and the other parameter setting done by the producer suits to your needs**

When an EA is delivered from the producer without armature, and the setting of other parameters done by the producer suit to your needs, and it is necessary to do a change to the EA stroke, proceed as follows:

- connect the EA with the armature to be controlled (according to chapter 2) and fit this assembly into the specified technology complex,
- connect the EA electrically according to the wiring diagram and chapter Electrical connection... ,turn on the power supply, without connection of the control signals fed into EA (The EA will report an error i.e. alarm No. 2 or No. 27 (missing input control signal - or Modbus/Profibus activity),
- turn on the power supply, without connection of the control signals fed into ES (input control signal - ES reports error/warning No.2 - no binary input),
- set the ES (*using manual control**) to end position **closed** and push button **C** **for at least 2s**, until LED ERROR (red), LED MENU (green) and LED PAR (red) come on – the **closed** end position is thus recorded in memory – see description in separate annex **No. 74 1053 02**,
- release the **C setting button**,

- set the ES (*using manual control**) to end position **opened** and push button **O** for at least **2s**, until LED ERROR (red), LED MENU (green) and LED PAR (red) come on – the **opened** end position is thus recorded in memory – see description in separate annex **No. 74 1053 02**,
- **release** the **O** setting button,
- **introduce** the EA into an mid position (see *Note 2* presented above),
- by pressing the **P** pushbutton on the control unit for at least **2s** activate the EA calibration until LED ERROR (red), LED MENU (green) and LED PAR (red) come on – see also description of the procedure in separate annex **No. 74 1053 02**,
- release the adjustment pushbutton **P** - upon release of the **P** pushbutton, the calibration process is started,
- turn on the control signals, EA is ready for operation and responds to control inputs,
- if any of the parameters need to be changed, proceed according to the instructions in separate annex **No. 74 1053 02**,

* This applies to setting of EA to be controlled by 2P and 3P or 3P/2P switched by I1, at the same time with standard setting of menu 9 FAILURE REACTION: STOP!

If the input control signal is set to one of the ranges starting from 0 mA, it is necessary to change the range to a different one. If this is not the case and a control signal is not supplied, the servodrive output component will take up the position corresponding to 0 mA. After recording the new limit positions change the value of the input control signal and response to error to the required parameters.

Note: in cases where the sequence is implemented using a PC in the EHL Explorer programme or using local control, neither the change of response to error nor disconnection of the control signals is required.

4.6 Setting other parameters

If changes to some parameters would be necessary, proceed please according to the instructions given in the separate attachment **No 74 1053 02**.

4.7 Error messages from the control unit

The EA electronics makes possible to identify some failures of EA. The failure is signalled by flickering LED ERROR (red) on the control unit (**Fig.6 and 6a**). An error has also been indicated on the LED display. An error is indicated on the LCD display in the local control EA version.

The list of errors and warnings compiled by the producer is presented in **table 5** (chapter 5.4).

The list of errors and warnings and the way for identifying a given error as well are presented in the separate attachment **No 74 1053 02**.

A field serviceman is only entitled to change the errors and warnings set using the programme once the EA is connected to the PC.

5. Service and Maintenance

5.1 Service



1. In general it is supposed that the EA is serviced by a qualified person as required in the Chapter 1!
2. After the EA is put into operation it is necessary to check whether during manipulation its surface finishing was not damaged – the damages should be eliminated to prevent the surface against deterioration caused by corrosion!

- The EA requires just an insignificant service. The reliable operation is determined by the correct putting into operation.
- The service of the EA results from the operation conditions and generally consists in treating the information for subsequent performing of a required function. The EA can be controlled by remote control electrically or manually on the place of their installation. The manual control is available with a handwheel.
- The service staff should arrange the required maintenance and prevent the actuator during operation against impacts of environment and climate what exceed the frame of allowed influences stated in the Chapter "Operation Conditions".
- It is necessary to avoid overheating of the EA surface, exceeding of parameters stated on the nameplate and abnormal vibrations of the EA.

Manual control:

- If the manual control is needed (adjustment, function checking, failures etc.) the staff can reset the regulated member using the handwheel. While rotating the handwheel clockwise the output element moves in the direction "CLOSING".

Electric local control: - additional equipment (Fig.7)

If necessary in the case of accession, function check and so on, it is possible to preset EA or change some parameters by local electric control with secured power feeding.

It is possible to control after removing of the padlock (1). Control mode selection is changed by sequential pressing of the button (2) **REMOTE-OFF-LOCAL** to "Remote" "Shut off", "Local", "Shut off", which is displayed on 2 rows LCD (6). Signalling motion and failure of the EA is also indicated by LEDs diode (7).

Mode "Shut off" – it is possible to change some parameters in this mode in particular menus.

Mode "Local" – it is possible to control EA by the local buttons in this mode - (3) **OPEN**, (5) **STOP**, (4) **CLOSE**.

Mode "REMOTE" – it is possible to control EA by the commands from superior remote system

Proceeding in setup of particular parameters in the mode "SHUT OFF" is described in the independent amendment No. 74 1076 02, which is delivered together with EA equipped by local electric control.

When you finish the work in the "REMOTE" mode put the padlock on the button (2) again. This measure would be received because of potential unauthorized person's intervention.

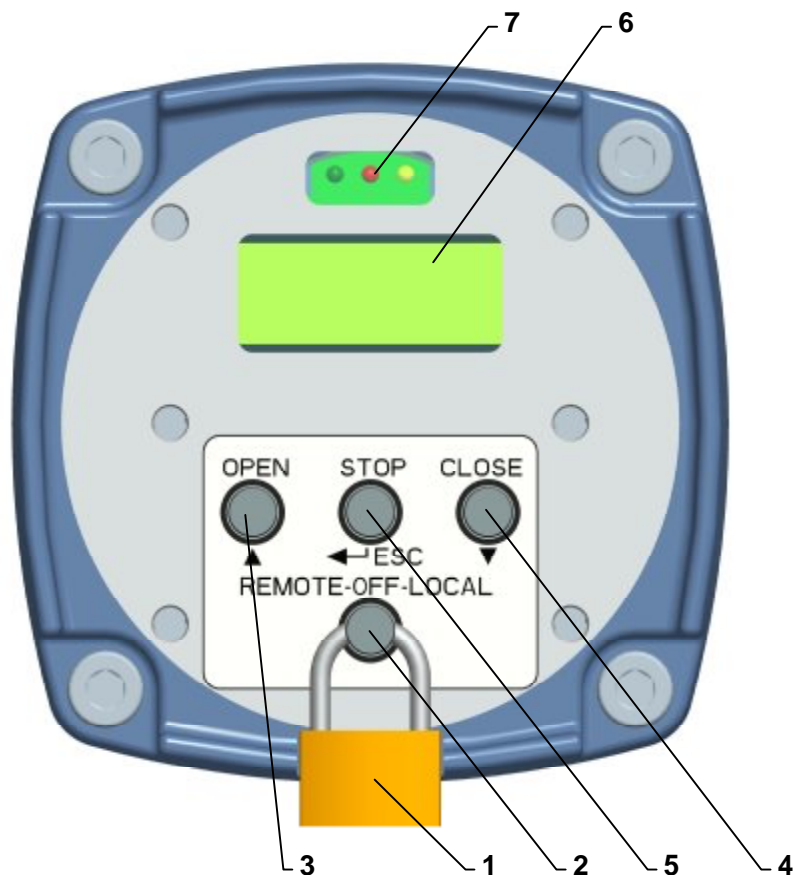


Fig. 7

Note: Modes of Local or Remote control is conditioned by program choices of inputs I1 and I2. In the case that inputs I1 or I2 are programmed for "Local releasing", it is only possible to control the EA by local control with active input I1 or I2.

5.2 Maintenance - extent and periodicity

All screws and nuts affecting tightness and protection (IP) must be tighten during the inspection and maintenance. Similarly, once a year should be checked and if necessary tighten mounting screws of the terminal wires and assuring of the slip-on joints with wires.

The interval between two preventive inspections is four years.

In case of damage or after 6 years of the actuator's operation the replacement of cover seals and oil filling seals must be done.

The grease in the supplied actuators is designed for the lifetime of the product.

It is not necessary to change the grease during the operation of the actuator.

During inspection, replace the sealing O-ring (see **Chapter 5.3**) between the bottom and top cover - replace with original O-ring from manufacturer.

Lubrication:

- the gearbox and drive mechanism on the control board - grease:
 - in versions with temperatures -25°C till +55°C - grease μ HF 401/0, resp. GLEITMO585
 - in versions with temperatures -50°C till +40°C - grease ISOFLEX TOPAS AK 50
 - in versions for climate with temperatures -60°C till +40°C grease DISCOR R-EP 000.
 - linear adapter – grease GLEIT- μ - HP 520M (to -25°C) resp. HP 520S (to -60°C).



Lubrication of the valve stem is independent on maintenance of the EA!

After every potential flooding of the product check, whether there is no water inside. After eventual water penetration, dry the product before repeated putting into operation and replace damaged sealings, resp. other parts of EA. identically check also tightness of cable bushings and replace them, if they are damaged.

- Every six months it is recommended to perform one check move in frame of adjusted operation stroke to verify reliability of functioning with setting back to the original position.
- If the audit rules do not determine else the inspection of EA is performed ones a year and tightening of all connecting and grounded screws have to be checked to avoid overheating.
- After 6 months from putting of EA into operation and once a year it is recommended to check tightening of fixing screws between the EA and the valve. (Tighten the screws with the cross system.)



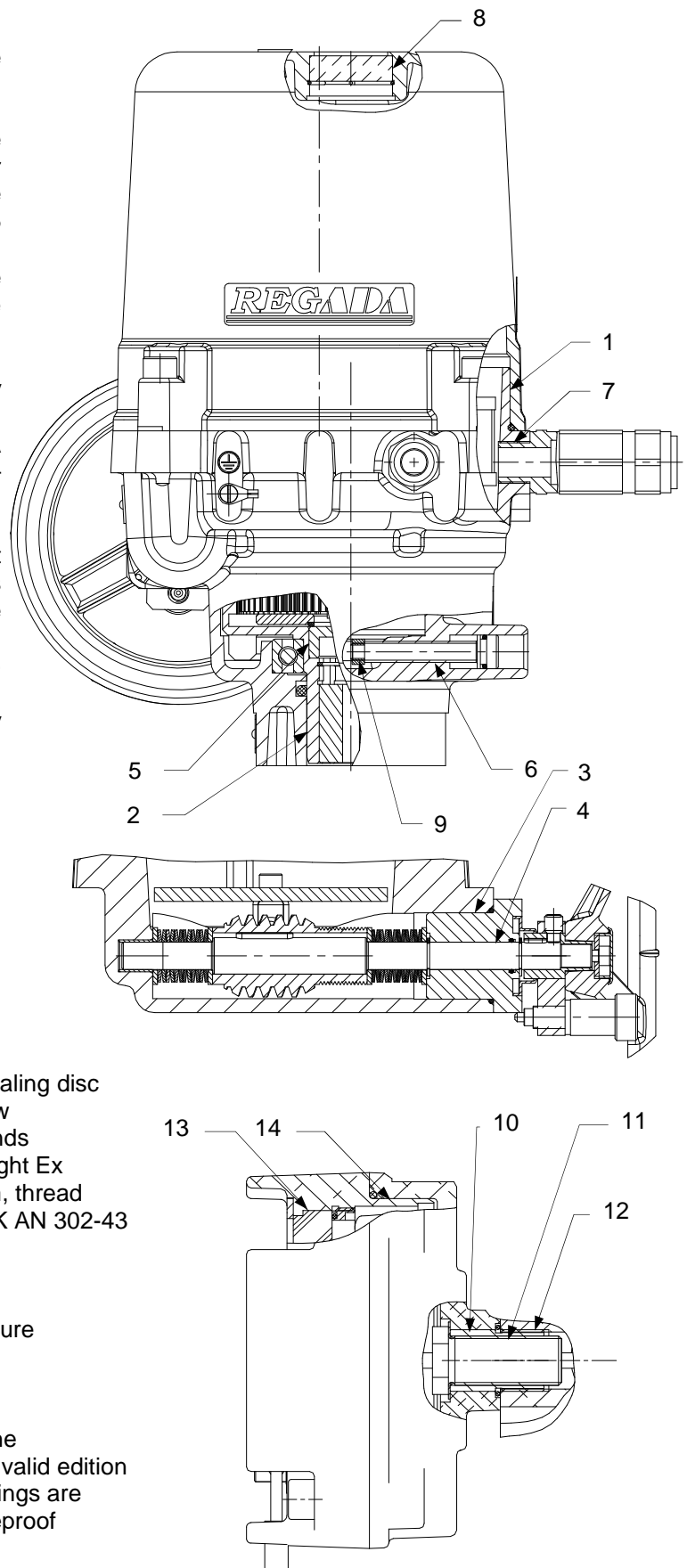
- While connecting and disconnecting of the EA check the tightness of cable glands – those with damaged sealings should be replaced by new ones of the approved type!
- Keep the EA clean and take care about removing impurities and dust. The cleaning has to be performed regularly according to the operation possibilities and requirements.

5.3 Maintenance to assure inexplosiveness



- A hour before removing of the actuator cover it is needed to switch power supply off. The given period is required to assure cooling of the electric motor and the space heater below the admissible temperature value of the temperature class T5 (+100 °C).
 - The fixing screws of the upper cover have to be always in full numbers, i.e. 4 pcs, with flexible washers and tightly fastened.
 - The actuators with damaged closing surfaces, e.g. scratches, rifts, etc. have to be immediately put out of operation.
 - While connecting and disconnecting of the EA check the sealing rings of the cable leads – damaged and worn sealing should be replaced by original rings!
 - Keep the EA clean and take care about removing impurities and dust. The cleaning has to be performed regularly according to the operation possibilities and requirements.
 - Reparation of EA (basically the parts the resisting closures consist with, have substantial influence on safety) is allowed perform only by producer, witch according to certificated documentation and by performing of required tests (inclusive of static pressure test of resisting clouser parts guarantee the fulfil required standares and rules for this products.
- The closing surfaces are:**
- Closure surfaces are:
1. Bottom enclosure and top enclosure
 2. Bottom enclosure and crown wheel
 3. Bottom enclosure and manual control case
 4. Manual control case and manual control shaft
 5. Moulded joint between the crown wheel and signaling disc
 6. Threaded joint - bottom enclosure and stop screw
 7. Threaded joint - bottom enclosure and cable glands
 8. Cemented cylindrical gap - Top enclosure and sight Ex
 9. Bonded threaded surface M8 LH-6H/6g, L= 6mm, thread pitch 1.25, number of pitches 4.8, WEICONLOCK AN 302-43 - to prevent against loosening of the stop screw
 10. Bushing tube - Rear cover of local control
 11. Threaded joint - Bushing and bushing tube
 12. Threaded joint - Bushing tube and bottom enclosure
 13. Cover sight and front cover
 14. Cover sight and rear cover.

Enclosure joint surfaces are designed according to the requirements of table 2 and 3 EN 60079-1 within valid edition
To seal the gaps against entry of fluids and dust, O-rings are used from the outside except for the gap of flameproof enclosure.



Caution:

After disassembly and re-assembly of top enclosure and bottom enclosure (see gap of flameproof enclosure 1 in chapter 5.3) the sealing O-ring must be replaced according following table:

O- Ringlet	Dimension	PNm	Material	Manufacturer
Bottom enclosure and top enclosure (ULR 1PA-Ex)	180x3	62 732 XXX	NBR	TRELLEBORG SEALING SOLUTIONS resp. MEGAbelt SK, s.r.o.
Bottom enclosure and top enclosure (ULR 2PA-Ex)	202,79x3,53	62 732 XXX	NBR	
Local control	105x3	62 732 390	MVQ	Rubena Náchod

5.4 Troubleshooting

- In case of a mains failure the EA stands in the position where it was before the failure occurred. If needed the EA can be reset using the manual control (with the handwheel). When necessary EA can be manually operated (handwheel), at doing this, pay attention to keep the movement of the EA output part within the range of the set stroke so as to avoid losing the adjustment of the limit position switches or position transmitter or regulator. After supply voltage recovery EA is prepared for operation.
- In case of a failure of a part of the EA the part can be replaced by a new one. The exchange is to be committed by the producer or a contracted service firm.
- In case of an EA failure, witch cannot be eliminated directly in operation, follow instructions for under-guaranty and after-guaranty service.

Note: If the EA has to be dismantled follow the procedure of the Chapter "Dismantling"



The EA can be dismantled to be repair purpose by qualified and trainer persons only! The training can be preformed by the producer or by a contracted service firm.

Note: If the EA requires dismantling follow the chapter "Dismantling".

The EA electronics makes possible to identify some failures of the electric actuator. The control unit blinking LED ERROR indicates the failure (**Fig. 6,6a**) or the error is displayed on the LED (**see Fig. 1,1A**), or the LCD display (**see Fig. 7**). The list of errors and warnings and the way for identifying a given error as well are presented in the separate attachment No 74 1053 02.

The list of errors and warnings compiled by the producer is presented in **table 5**. A change to the list of errors and warnings in the EA is only possible within a service intervention, through the program installed in a PC.

Table 5 -setting error flags and warning flags as at the delivery		
PARAMETER	ERROR	WARNING
ESD		X
Analog Input – not valid for Modbus/Profibus protocol		X
Modbus/Profibus activity – only for Modbus/Profibus protocol		X
Wrong command	X	
Torque		X
Torque check		X
Torque calibration	X	
Regulator calibration		X
Stroke (turns sum)	X	
Wrong position	X	
Spin	X	
Spin direction	X	
RAM	X	
ROM	X	
EEPROM		X
Bus	X	
I2C	X	
Reset		X
Voltage +5V		X
Parameters	X	
Set mode		X
Relay		X
Temperature <		X
Temperature >		X
Phase	X	
Power frequency	X	
Thermal fuse	X	
Manual control	X	
Position module	X	
Position module type	X	
Position sensor 1	X	
Position sensor 2	X	
Position sensor 3	X	
Position sensor 4	X	
Torque module	X	
Torque module type	X	
Torque sensor	X	
LED module	X	
LED module type	X	
LCD module	X	
LCD module type	X	
Power Supply/Relay module	X	
Power Supply/Relay module type	X	
E2P	X	
Profibus Channel 1- only for version with Profibus	X	
Profibus Channel 2- only for version with Profibus	X	

Notes: **X** – the error or warning flag is activated.
 With the **error flag**, the EA takes the position defined for the FAILURE REACTION function eventually stops (depending on the kind of the error), and it will not operate until the error is removed.
 With the **warning flag**, the EA continues in operation.
 The user is advised on error or warning through the READY relay (according to the relay setting), eventually through the program after connecting the EA with a PC.

Note 1: In some cases having the error removed the electric actuator must be restarted by switching-off the voltage supply to the electric actuator for about 3 sec.

For repairing eventually the electronics use the fuse – see Fig.1D (F3) for example SHURTER MSF 250, or a sub miniature SIBA 164050 xxx (see chapter 2.2.2), which is located on source board. For three - phase EA versions with contactless switching (SSR), fuses are installed in a fuse housing, see Fig. 1G (F4-1, F4-2), such as SIBA 7012540.xxx with a value in accordance with section 2.2.2 on electronic system holders.



Taking the EA to pieces for repair purposes is allowed only by professionally qualified persons trained in the production plant or by a contracted service centre!

6. Accessories and spare parts

6.1 Accessories

The EA is delivered with the handwheel and cable glands.

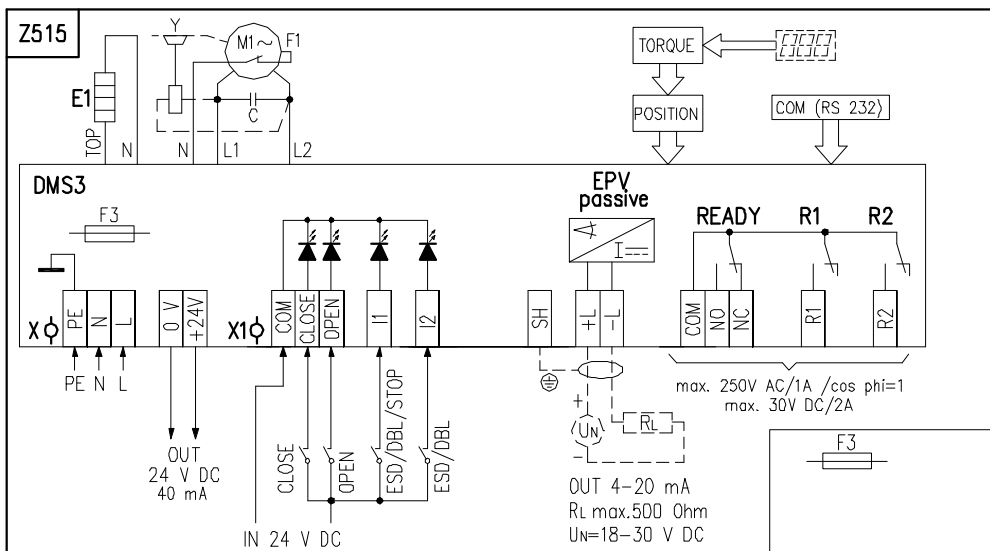
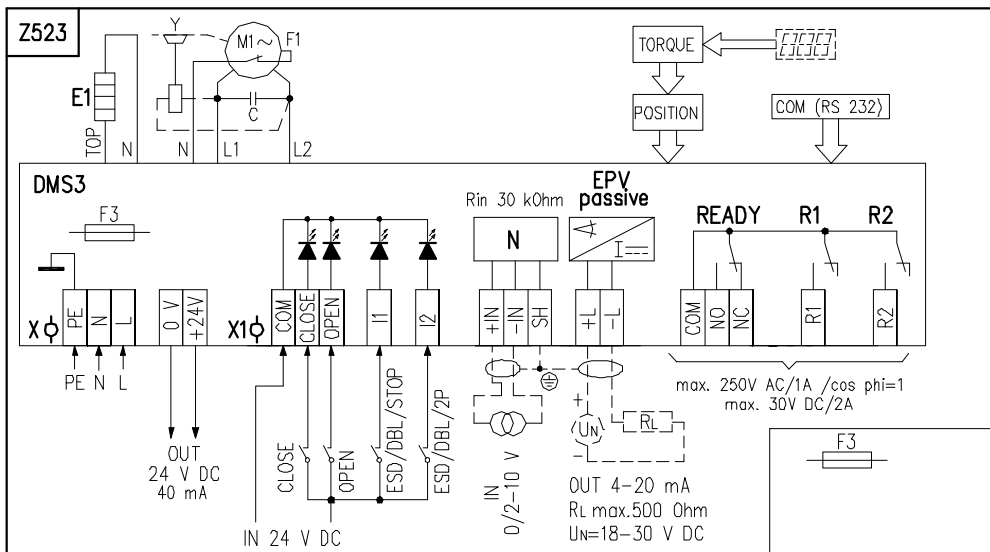
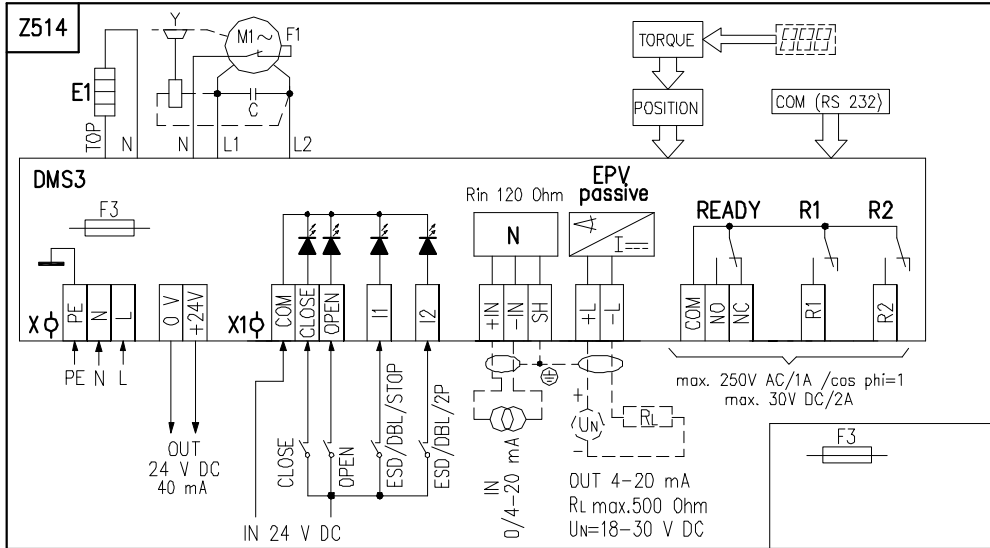
6.2 Spare part list

Table 6 Spare part			
Spare part	Order Nr.	Position	Figure
Electric motor; 40 W; 230V AC (3x400 V AC); 50 Hz; (ULR 1PA-Ex)	63 592 076 (63 592 054)	2	1
Electric motor; 40 W/110 VA; 3x400V AC; 50 Hz; (ULR 1PA-Ex)	63 592 054	2	1A
Electric motor; 120 W/228VA; 230V AC; 50 Hz; (ULR 2PA-Ex)	63 592 394	2	1
Electric motor; 60 W/120VA; 230V AC; 50 Hz; (ULR 2PA-Ex)	63 592 322	2	1
Electric motor; 180 W/300VA; 3x400V AC; 50 Hz; (ULR 2PA-Ex)	63 592 330	2	1A
Electric motor ; 90 W/150VA; 3x400V AC; 50 Hz; (ULR 2PA-Ex)	63 592 328	2	1A
Electric motor; 40 W/90 VA; 115 V AC, 60 Hz; (ULR 1PA-Ex)	63 592 XXX	2	1
Electric motor; 70 W/125VA; 120 V AC, 60 Hz; (ULR 2PA-Ex)	63 592 XXX	2	1
Electric motor 120 W/228VA; 120 V AC, 60 Hz; (ULR 2PA-Ex)	63 592 XXX	2	1
Electric motor; 53 W/72 VA; 24V DC; (ULR 1PA-Ex)	63 592 023	1	1A
Capacitor 5µF (ULR 1PA-Ex)	63 540 001	2	1
Capacitor 7µF (ULR 2PA-Ex)	63 540 181	2	1
Capacitor 16µF (ULR 2PA-Ex)	63 540 251	2	1
Capacitor 20µF (ULR 2PA-Ex)	63 540 252	2	1
Capacitor 8µF (ULR 2PA-Ex)	Electric motor comp.	2	1
Capacitor 9µF (ULR 1PA-Ex)	Electric motor comp	2	1
DMS3 ZS24HM mode power supply 24 V AC/DC	64 051 023	3	1H
DMS3 ZS switch – mode power supply for 230 V AC and 115 V AC	64 051 103	3	1, 1A
Position scanning unit DMS3 SM4	64 051 088	4	1, 1A
Torque scanning unit DMS3 ST	64 051 080	6	1, 1A
Control unit of the electronics DMS3 J1 (0/4/12 up to 20 mA, resp.4 up to 12	64 051 075	2	1, 1A
Control unit of the electronics DMS3 J3 (0/2 up to 10 V)	64 051 061	2	1, 1A
Control unit of the electronics DMS3 J2 (without input and output)	64 051 060	2	1, 1A
DMS3 M1 - Control unit MODBU 1 Channel	64 051 051	2	1, 1A
DMS3 M2 - Control unit MODBUS Redundant	64 051 052	2	1, 1A
DMS3 P1 - Control unit PROFIBUS 1 Channel	64 051 037	2	1, 1A
DMS3 P2 - Control unit PROFIBUS Redundant	64 051 038	2	1, 1A
DMS3 L2 LED display	64 051 081	7	1, 1A
DMS3 LCD display	64 051 082	6	7
DMS3 H3.4 local control sensor	64 051 084		
DMS3 RE3 Module of additional relays	64 051 065	8	1, 1A
Ring 105x3 MVQ (local control)	62 732 390	-	-
Ring 180x3 AS 568 B/BS 1806 (ULR 1PA-Ex)	62 732 XXX	-	-
Ring 202,79x3,53 AS 568 B/BS 1806 (ULR 2PA-Ex)	62 732 XXX	-	-
Steering ring 28 (UL 1-Ex)	STN 029295 62 732 255	-	-
Steering ring 28x35,6x4,2 (UL 1-Ex)	62 732 391	-	-
Ring 36x28 MVQ (UL 1-Ex)	STN 029280.9 62 732 338	-	-
Steering ring 40 (UL 2-Ex)	62 732 164	-	-
Steering ring 40x48,8x6,3 (UL 2-Ex)	62 732 158		
O-ring 44,12x2,62 (UL 2-Ex)	62 732 157		
Ring 50x40 MVQ (UL 2-Ex)	STN 029280.9 62 732 404	-	-

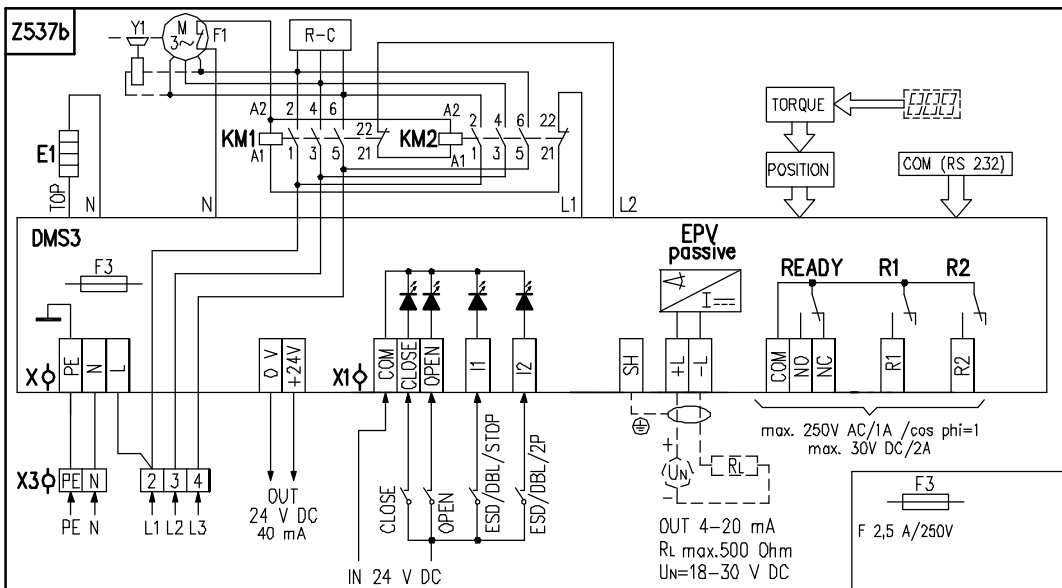
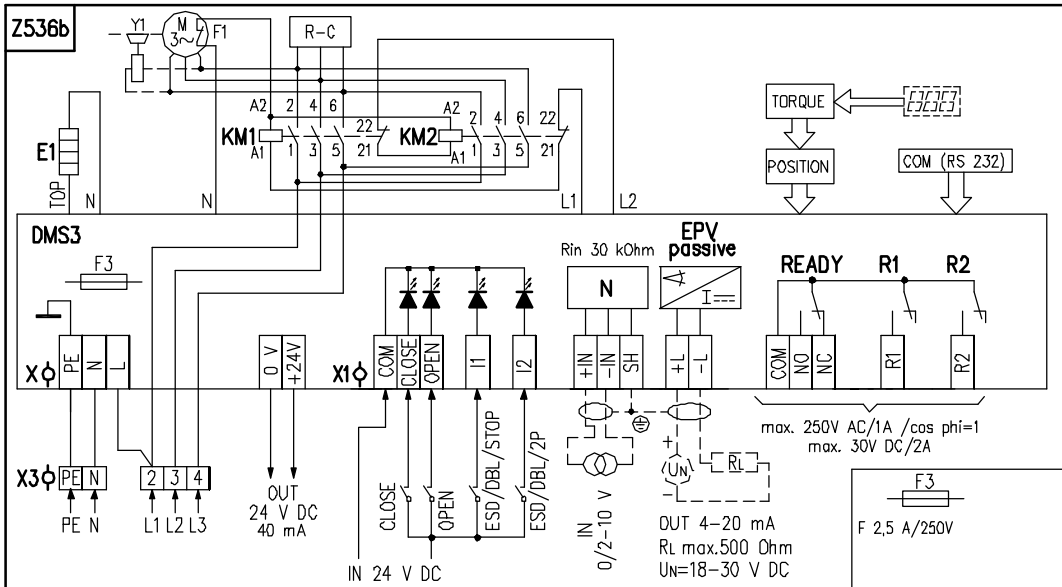
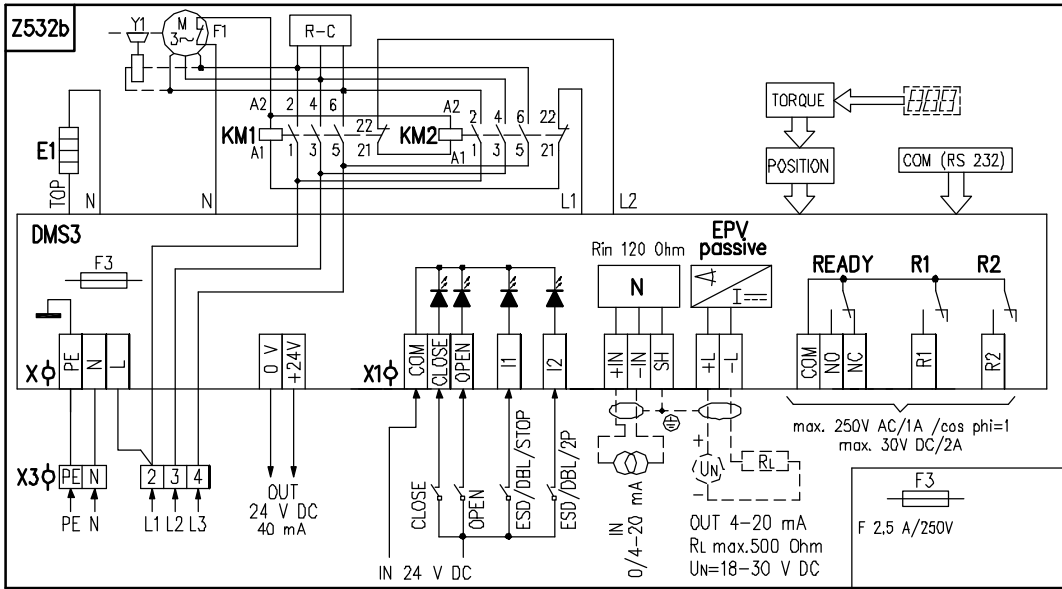
Warning: By supplying spare parts, the manufacturer is not responsible for damages caused by their disassembly and assembly. Installation, replacement of spare parts must be performed by authorized, qualified personnel.

7. Enclosures

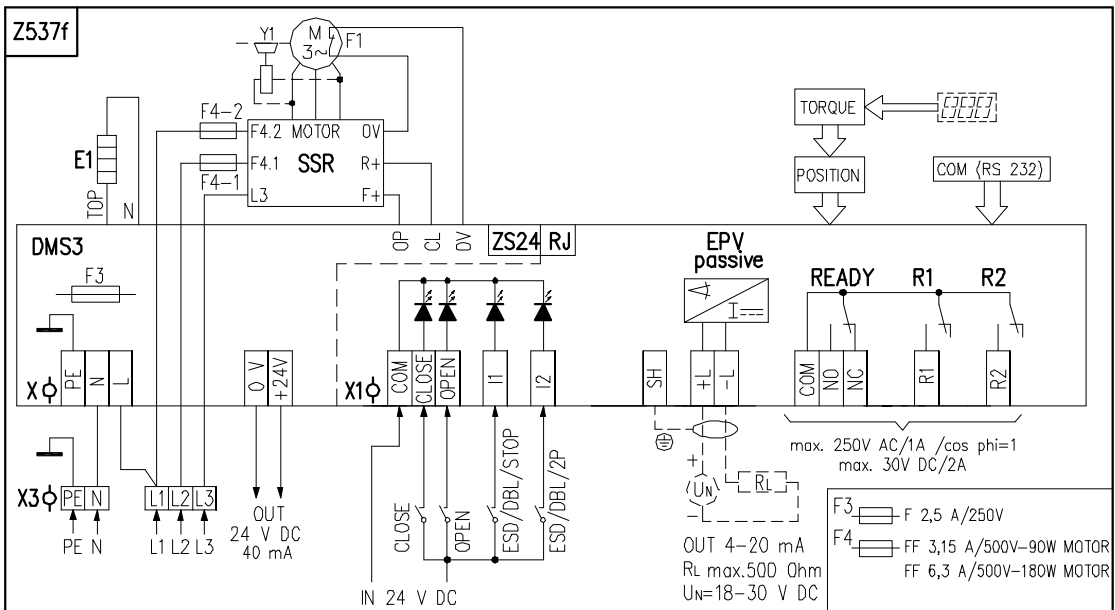
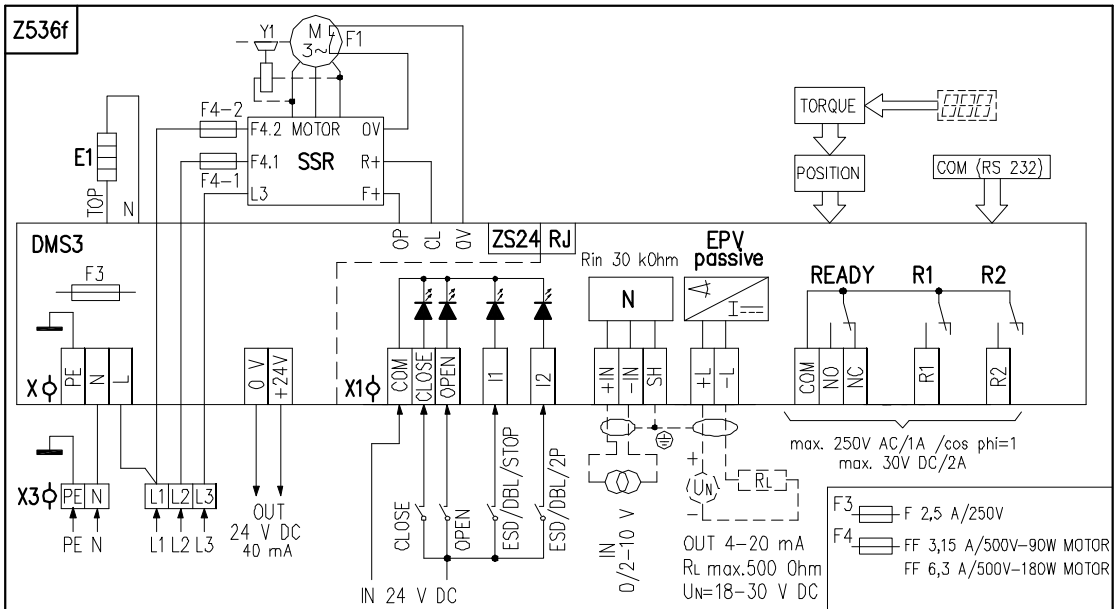
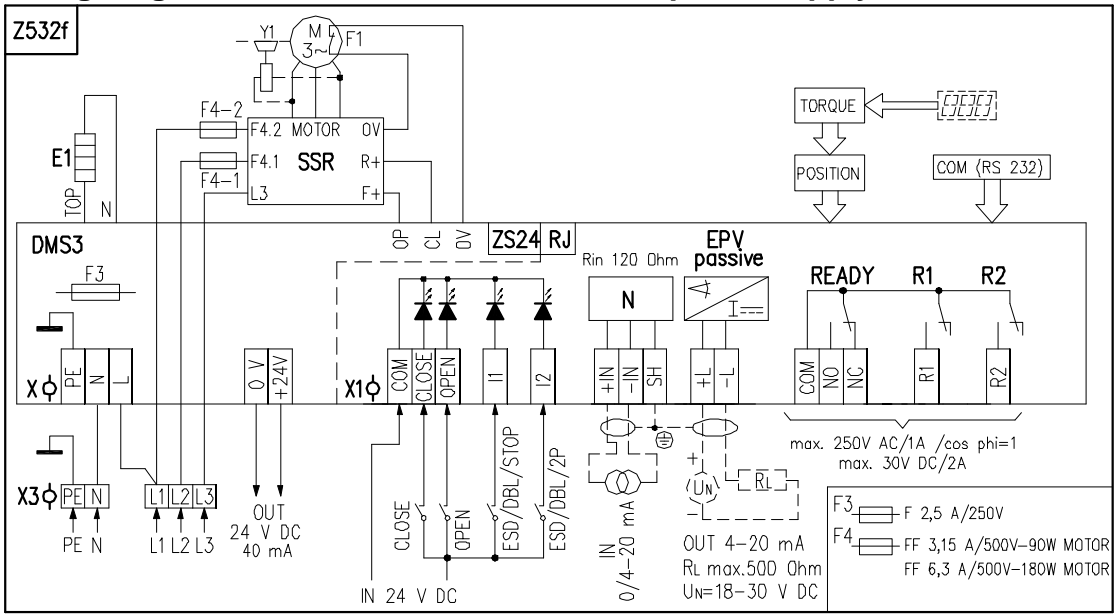
Wiring diagrams ULR 1PA-Ex and ULR 2PA-Ex for single phase supply



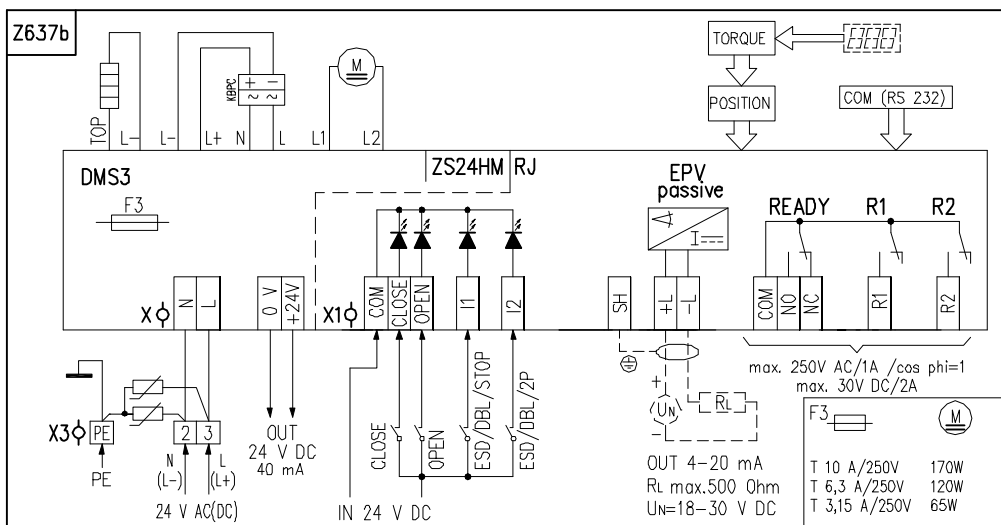
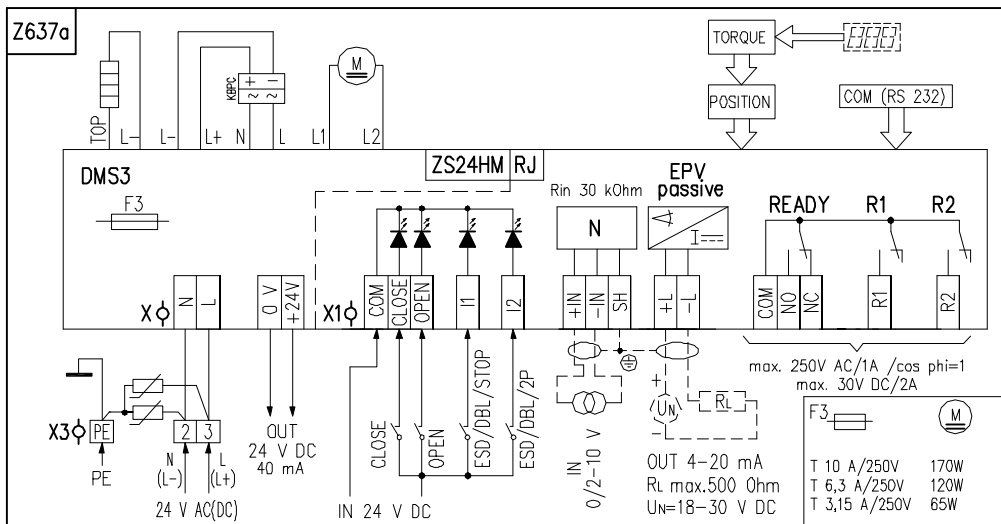
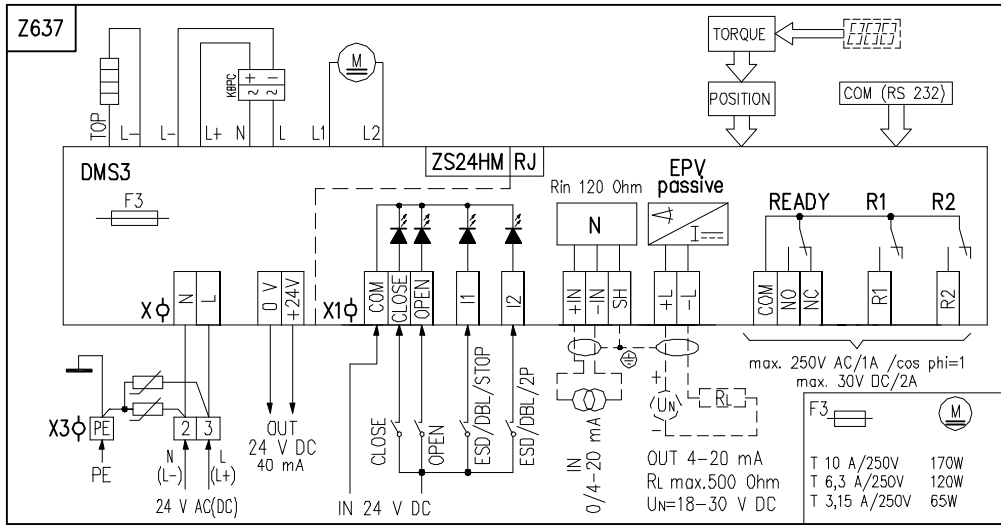
Wiring diagrams EA ULR 2PA-Ex for three phase supply, reverse contactors



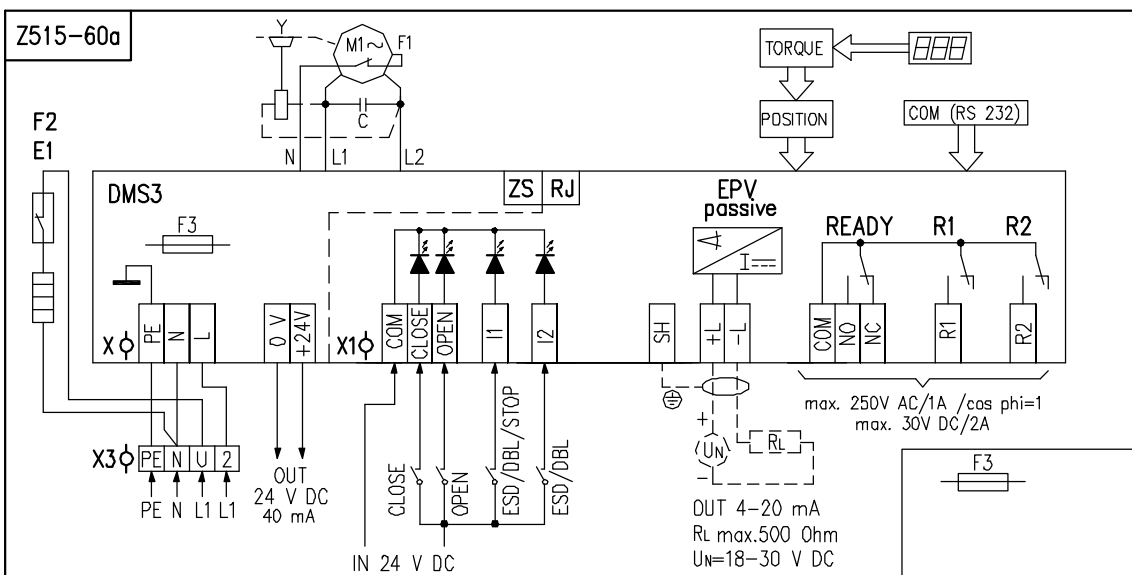
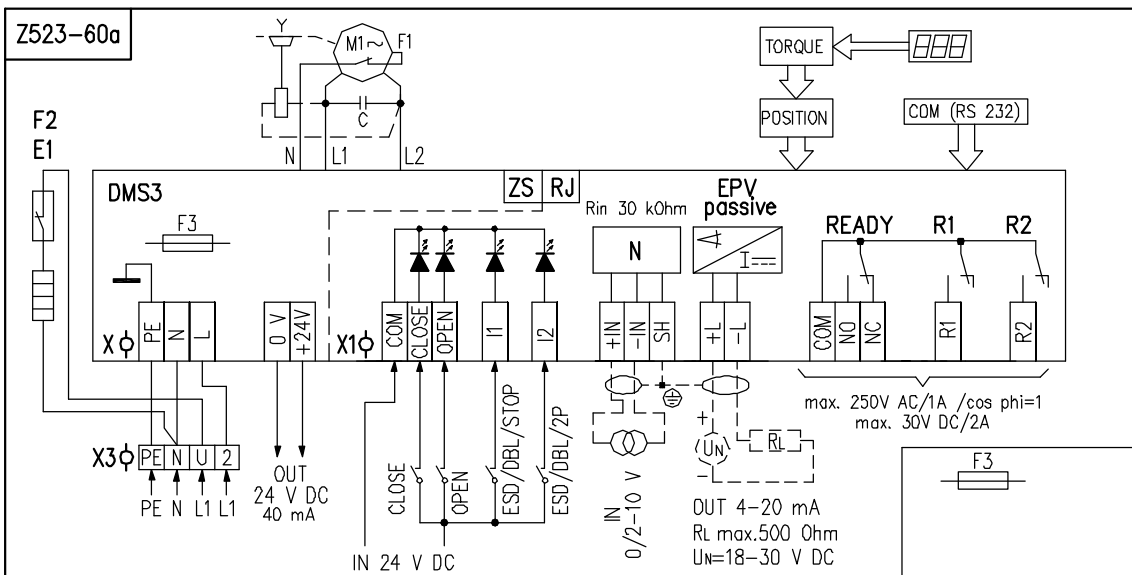
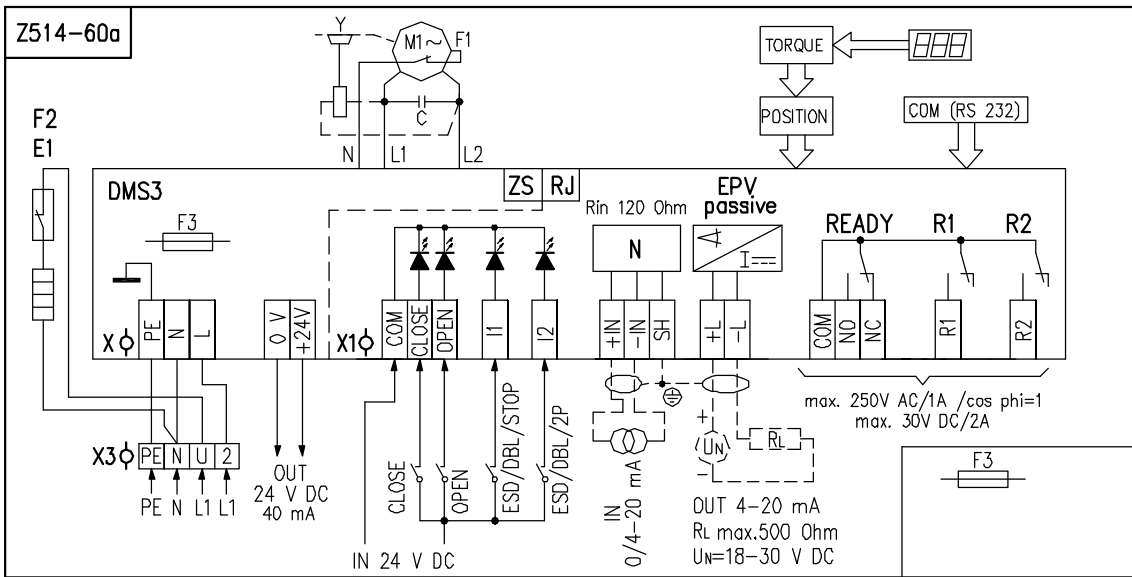
Wiring diagrams EA ULR 2PA-Ex – for three phase supply with-contactless switching



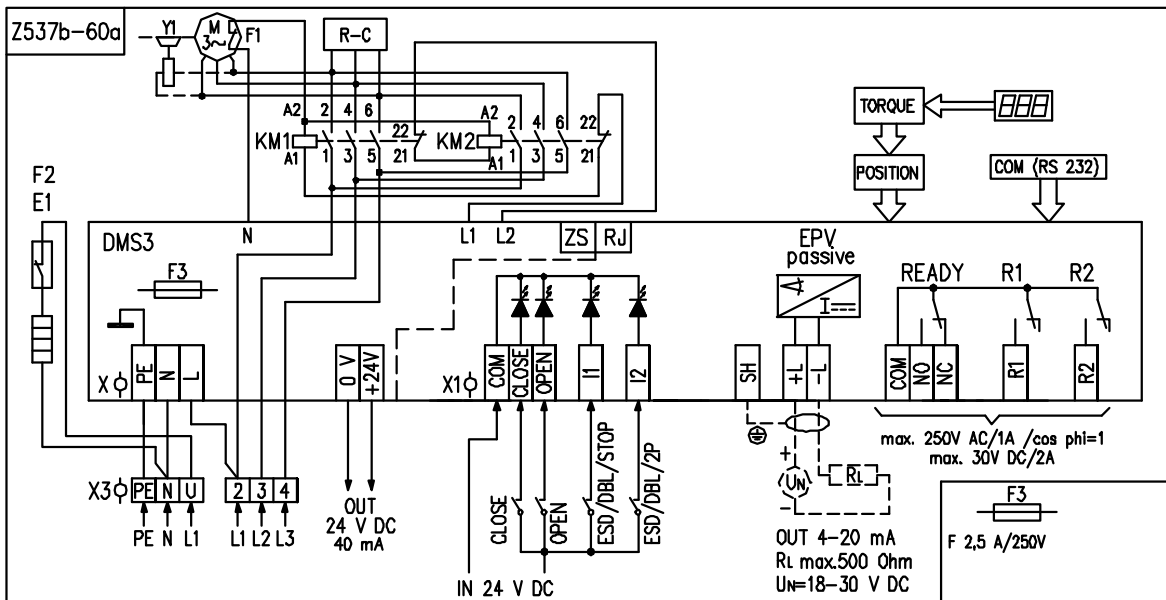
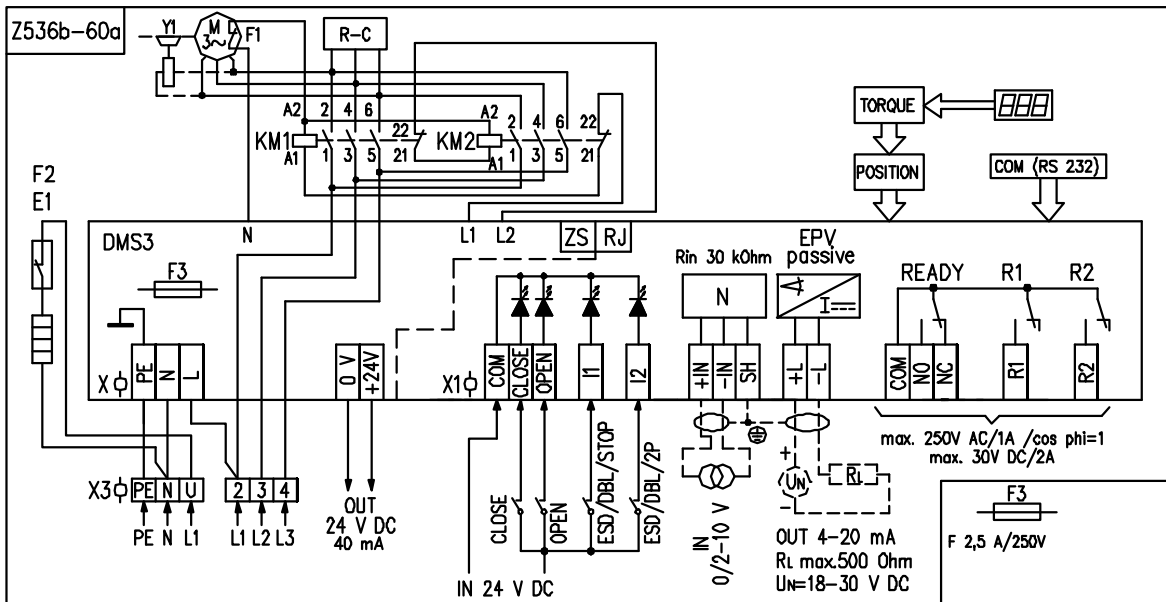
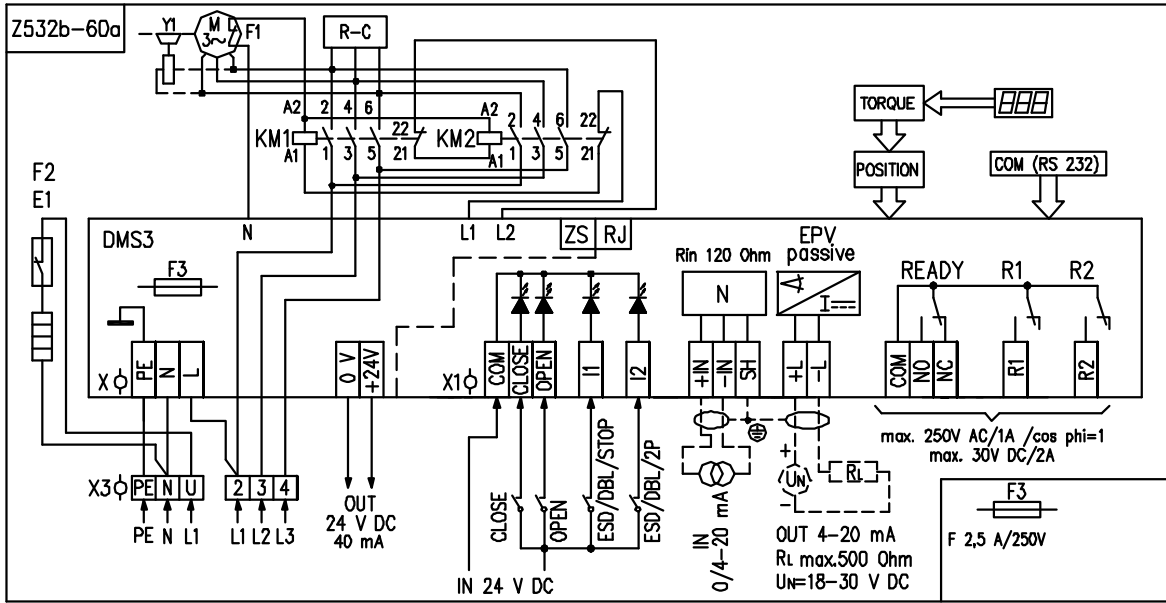
Wiring diagrams EA ULR 1PA-Ex – for 24 V AC/DC, ULR 2PA-Ex – for 24 V DC



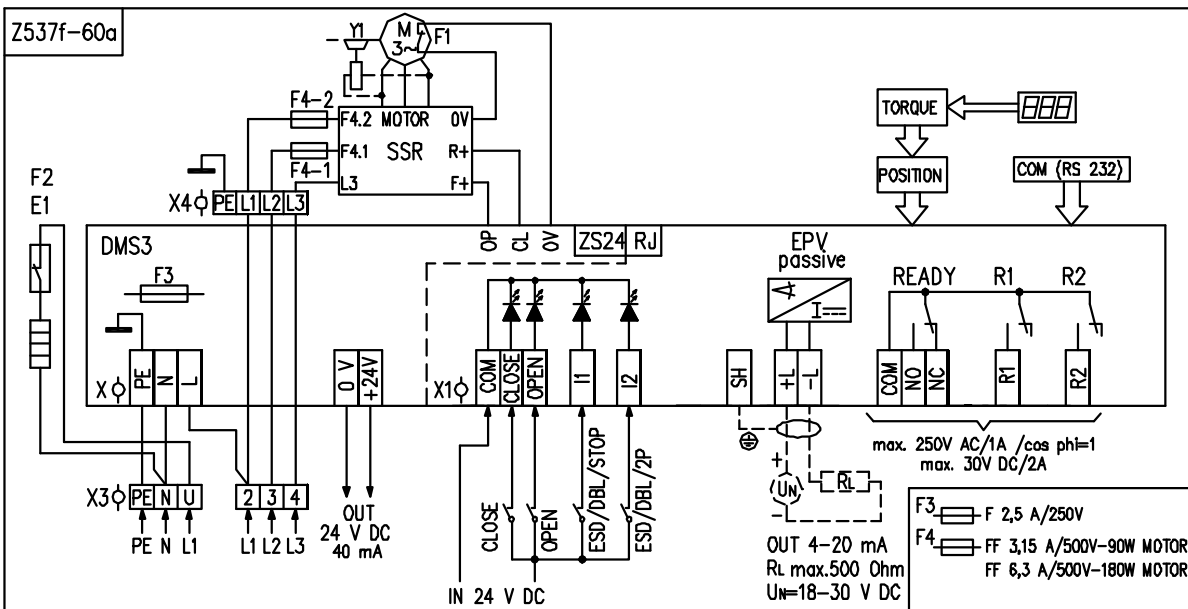
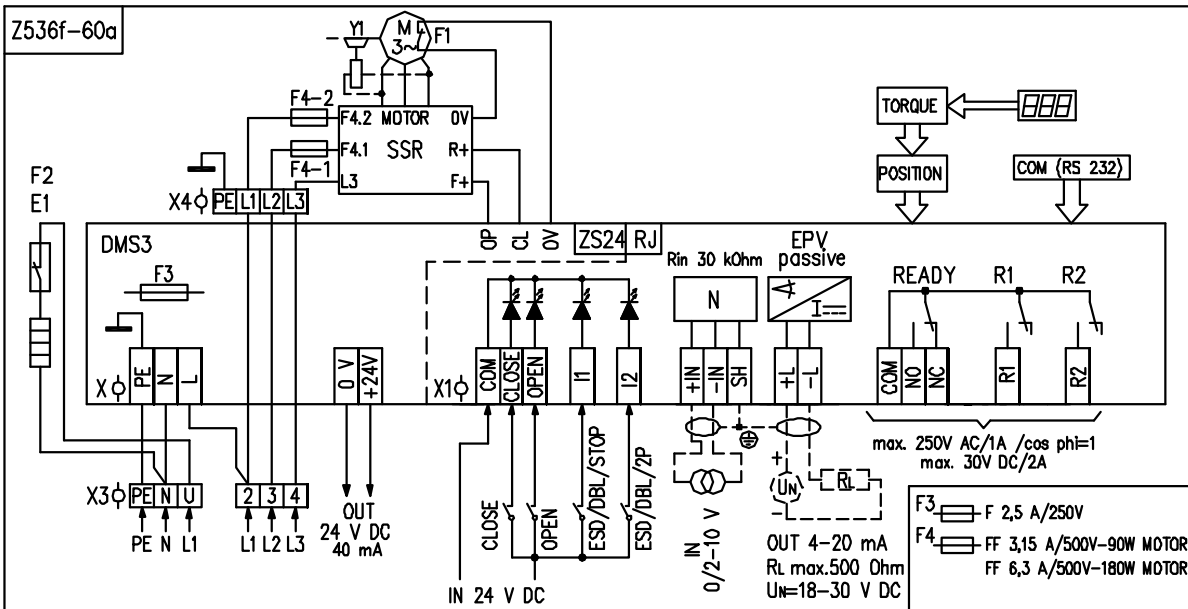
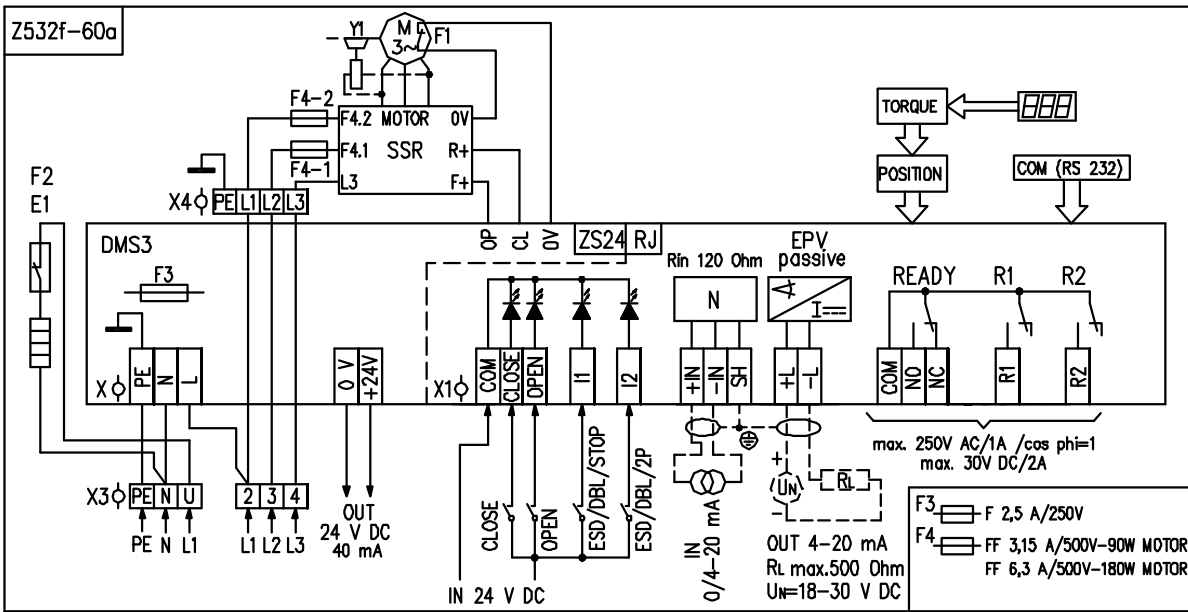
Wiring diagrams EA ULR XPA-Ex– single - phase supply – for ambient temperature -60°C do +40°



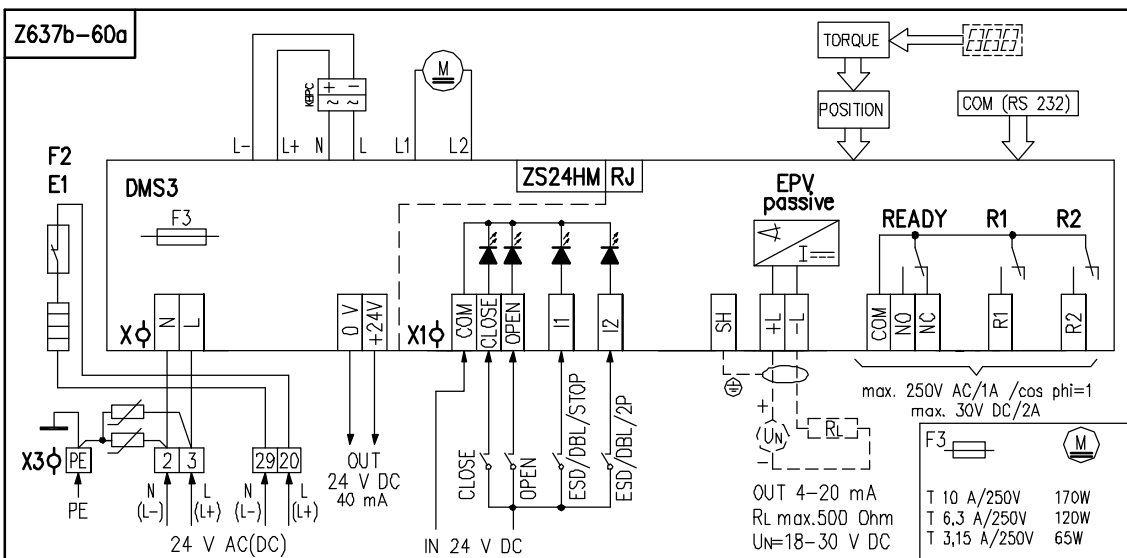
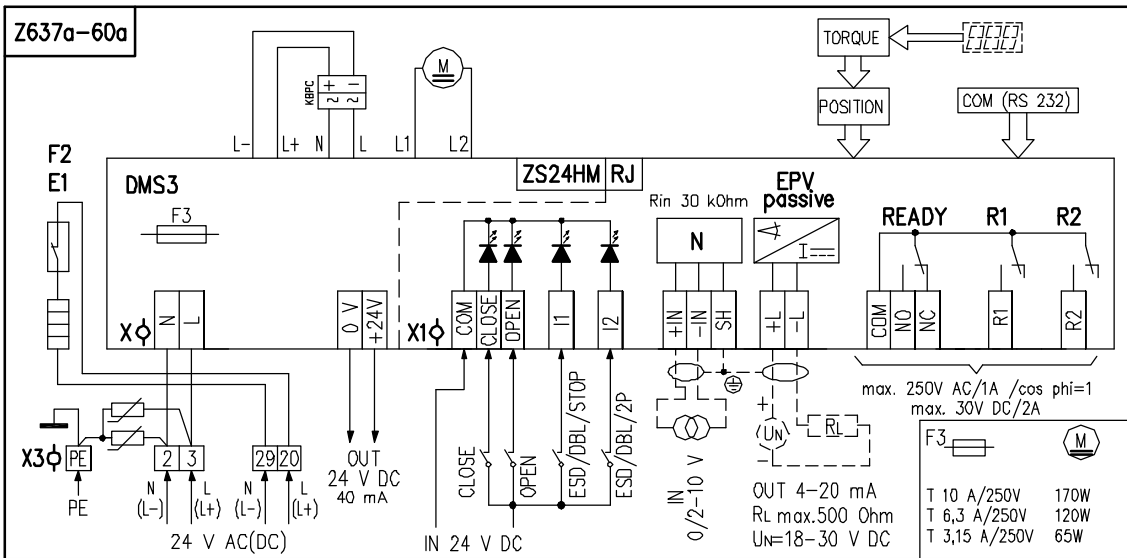
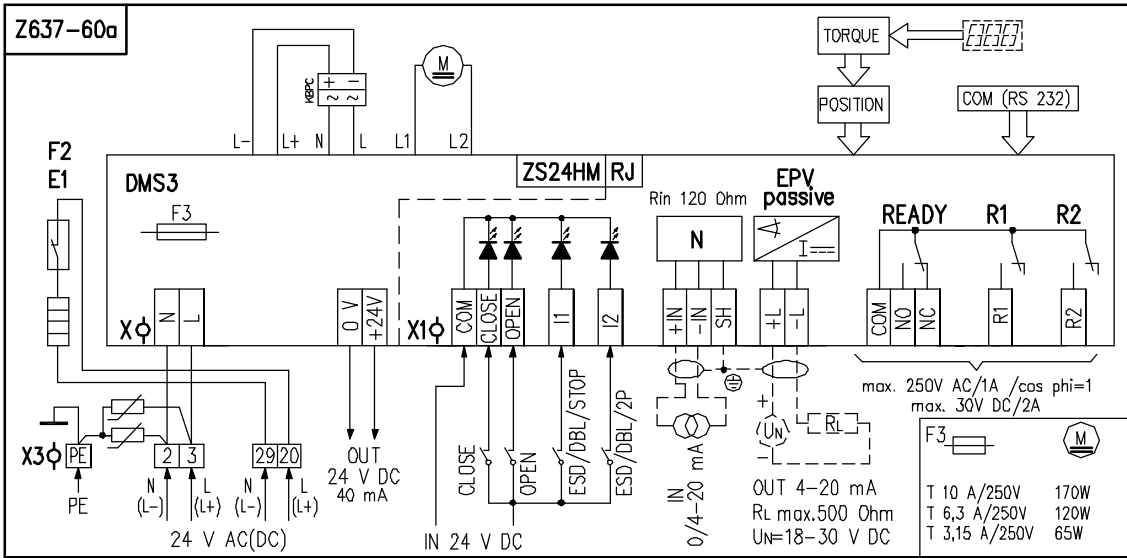
Wiring diagrams EA ULR XPA-Ex- three - phase supply, reserve contactors – for ambient temperature -60°C do +40°



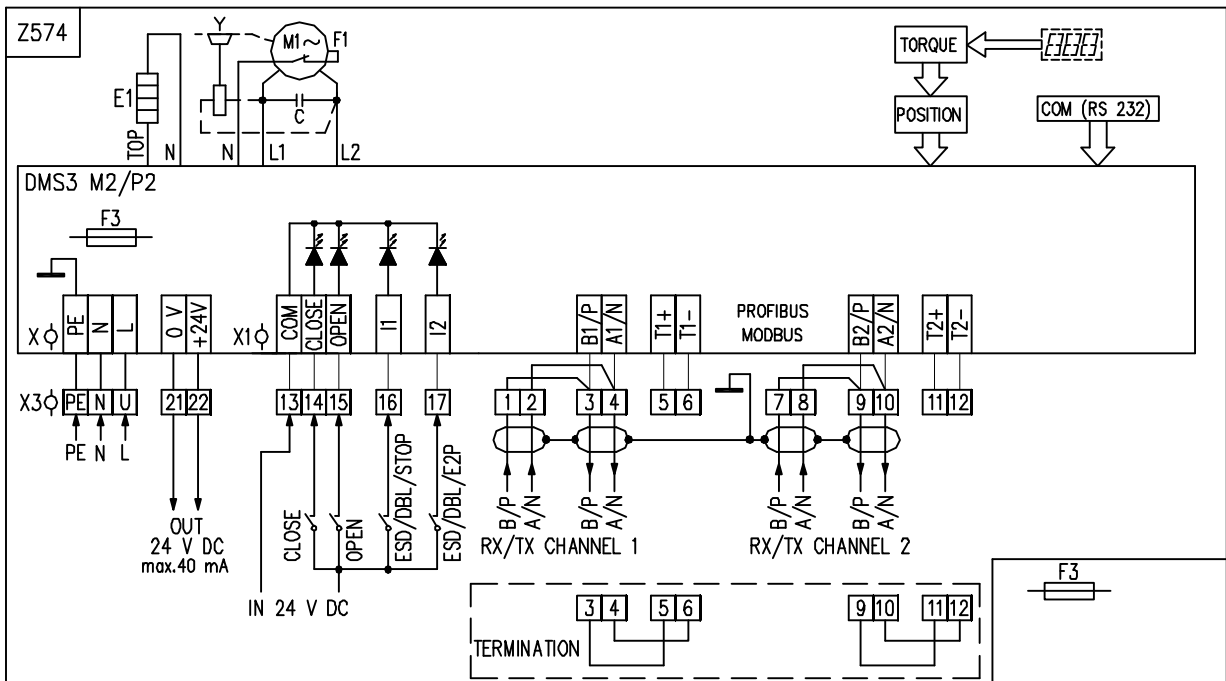
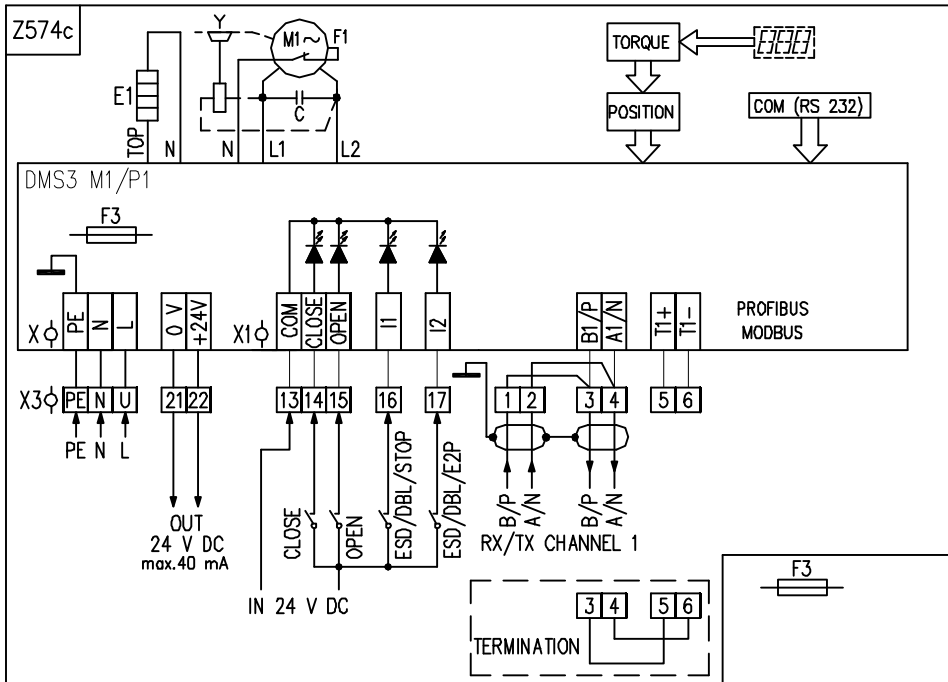
Wiring diagrams EA ULR XPA-Ex- three - phase supply, with contactless switching – for ambient temperature -60°C do +40°



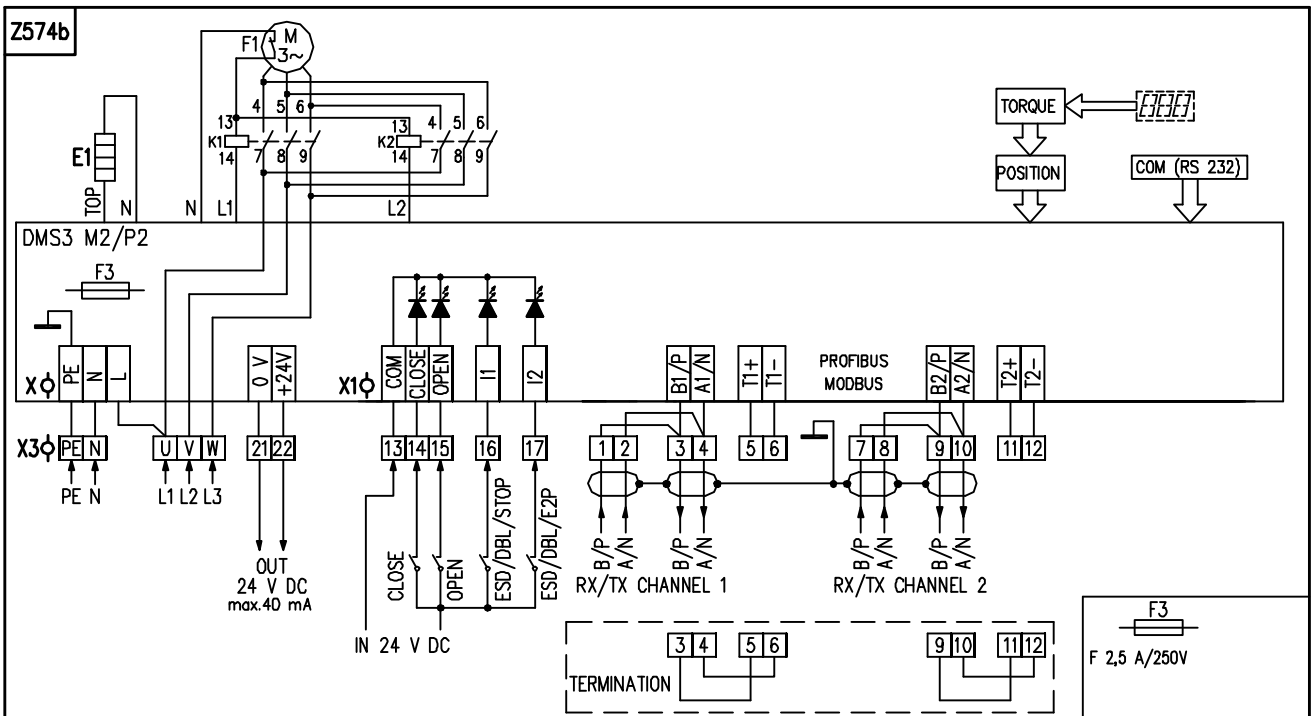
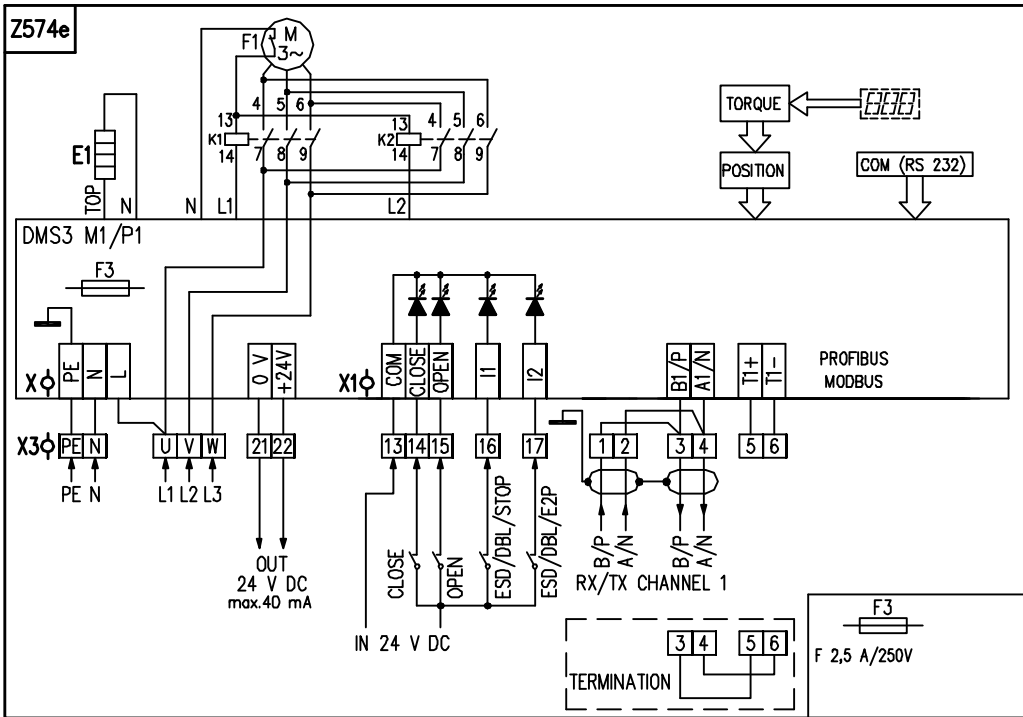
Wiring diagrams EA ULR 1PA-Ex- for 24V AC/DC, EA ULR 2PA-Ex - for 24V DC – for ambient temperature -60°C do +40°



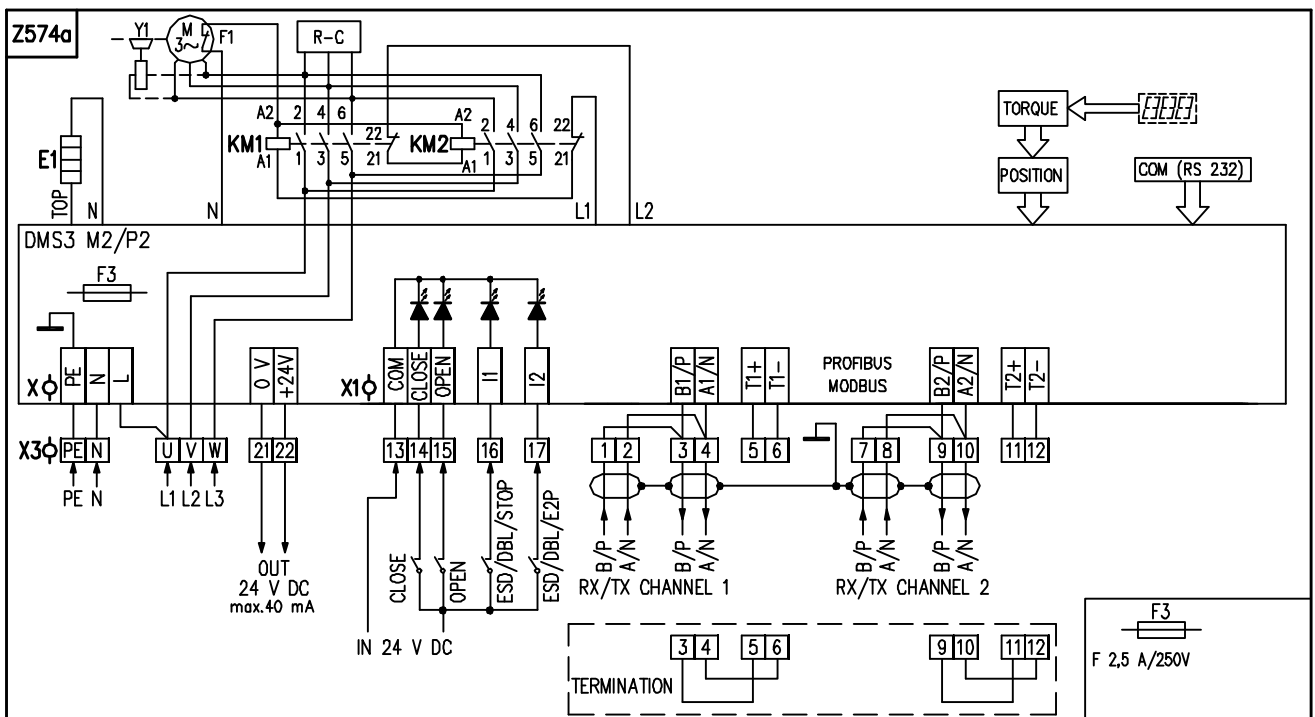
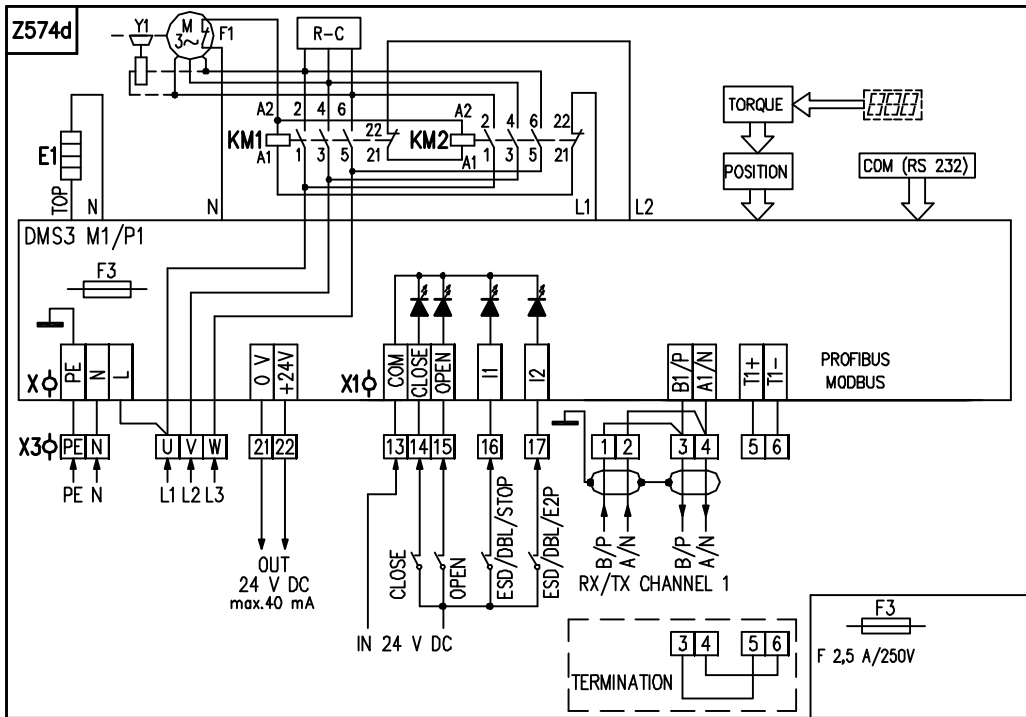
Wiring diagrams with of EA ULR 1PA-Ex, ULR2 PA-Ex electronic control with Modbus/Profibus protocol for single - phase supply



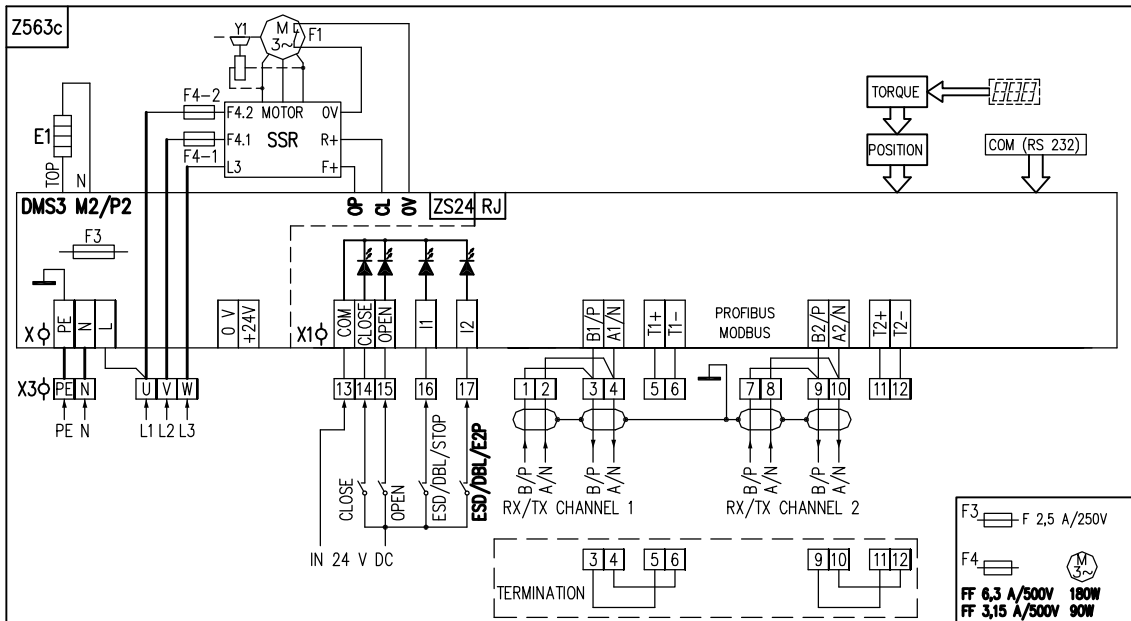
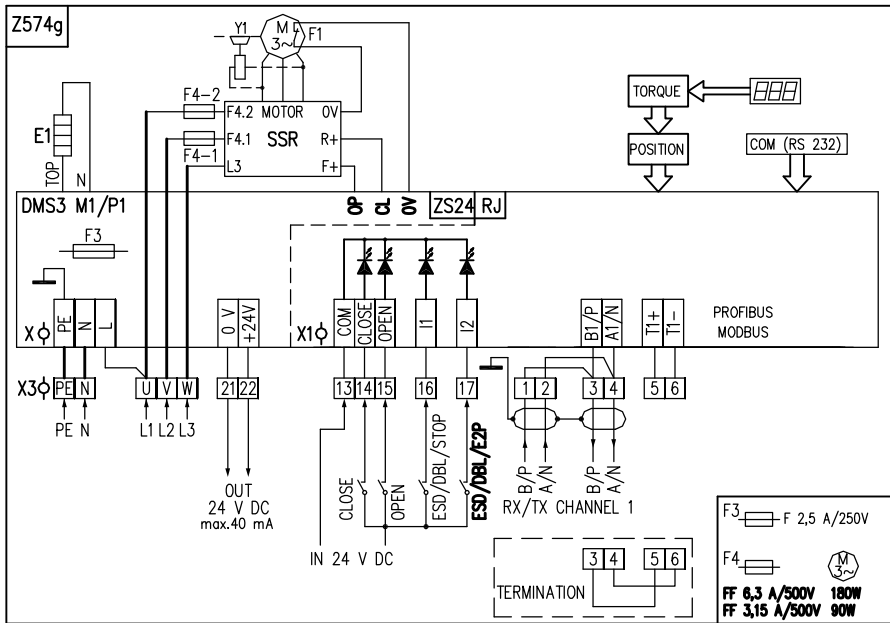
Wiring diagrams of EA ULR 1PA-Ex with DMS3 electronic control with Modbus/Profibus protocol for three - phase supply



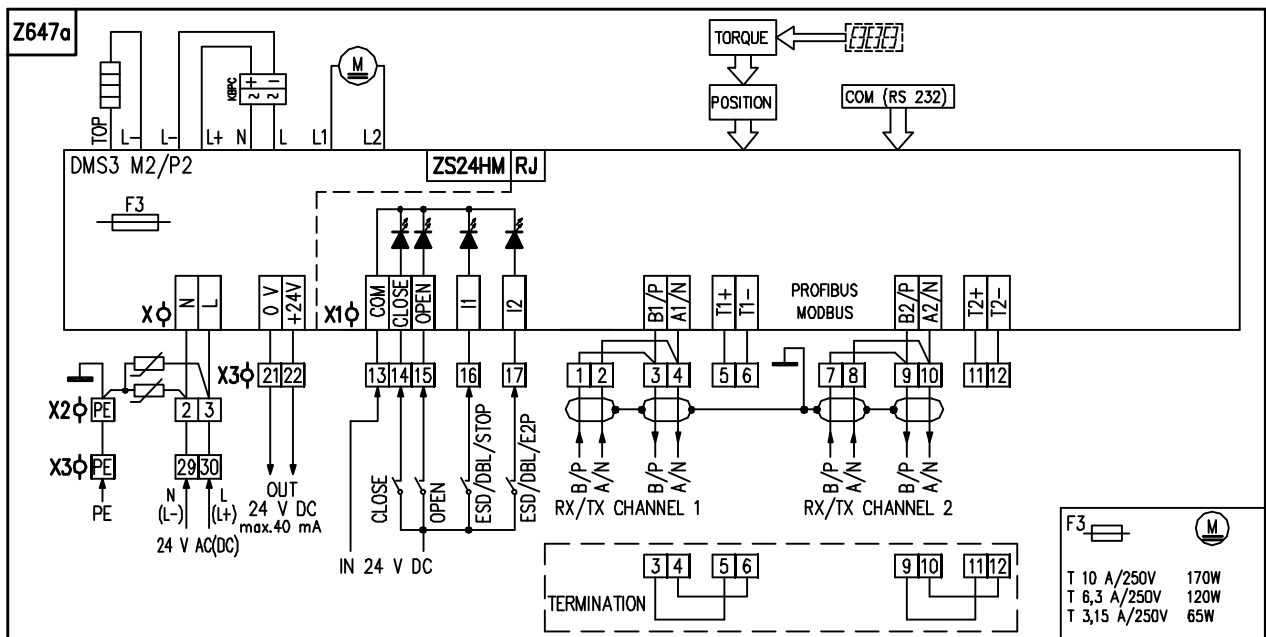
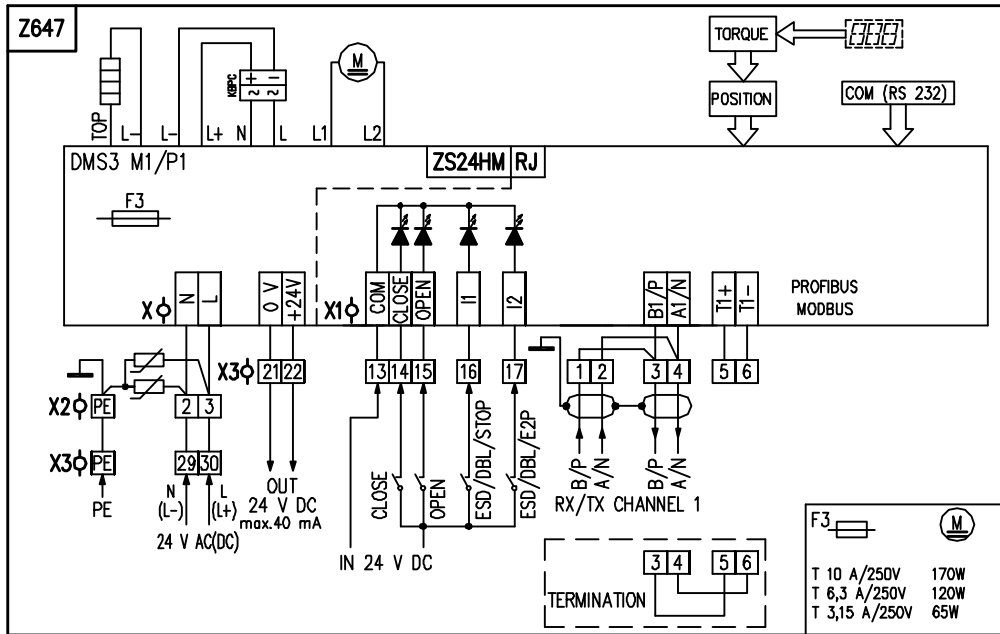
Wiring diagram of EA ULR 2PA-Ex with 3-phase electric motor, reverse contactors with communication protocol MODBUS / PROFIBUS



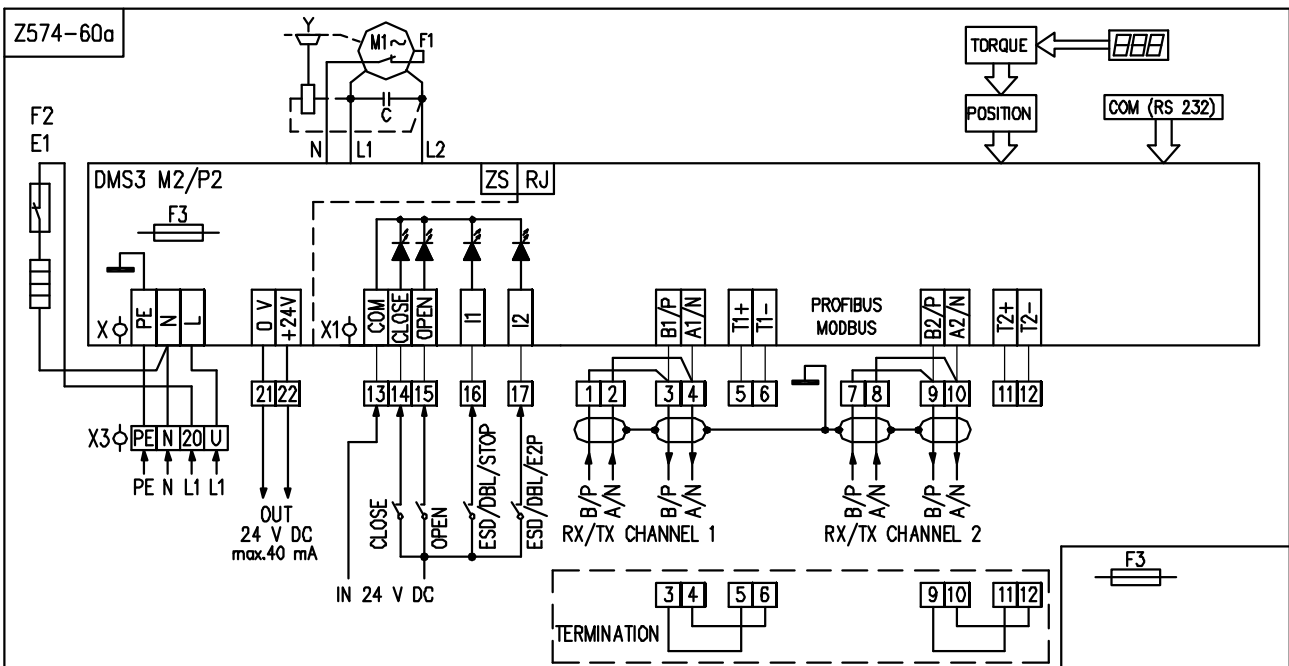
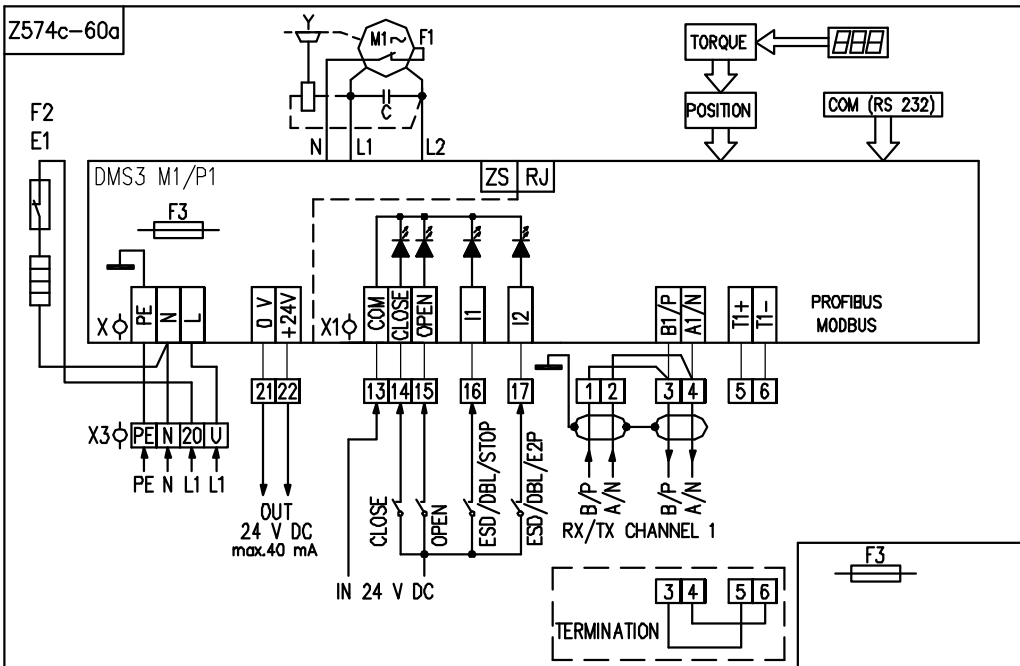
Wiring diagrams EA ULR 2PA-Ex with Modbus/Profibus protocol – for three phase supply, with-contactless switching



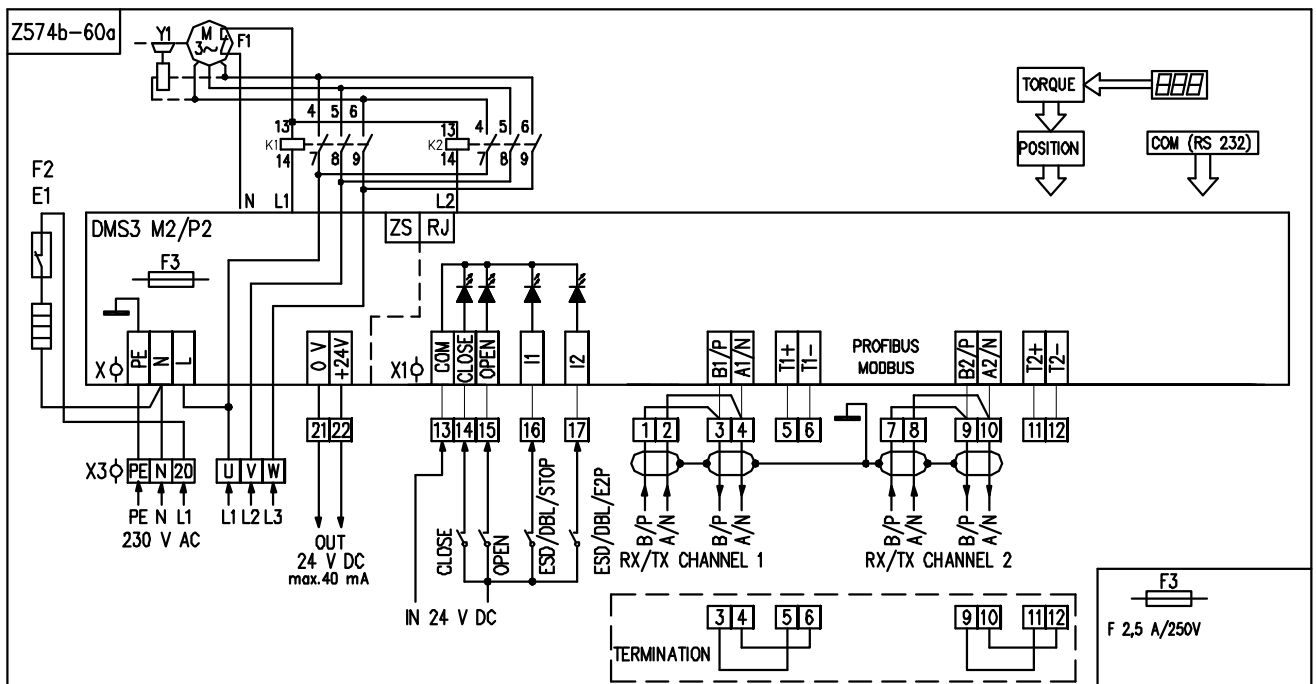
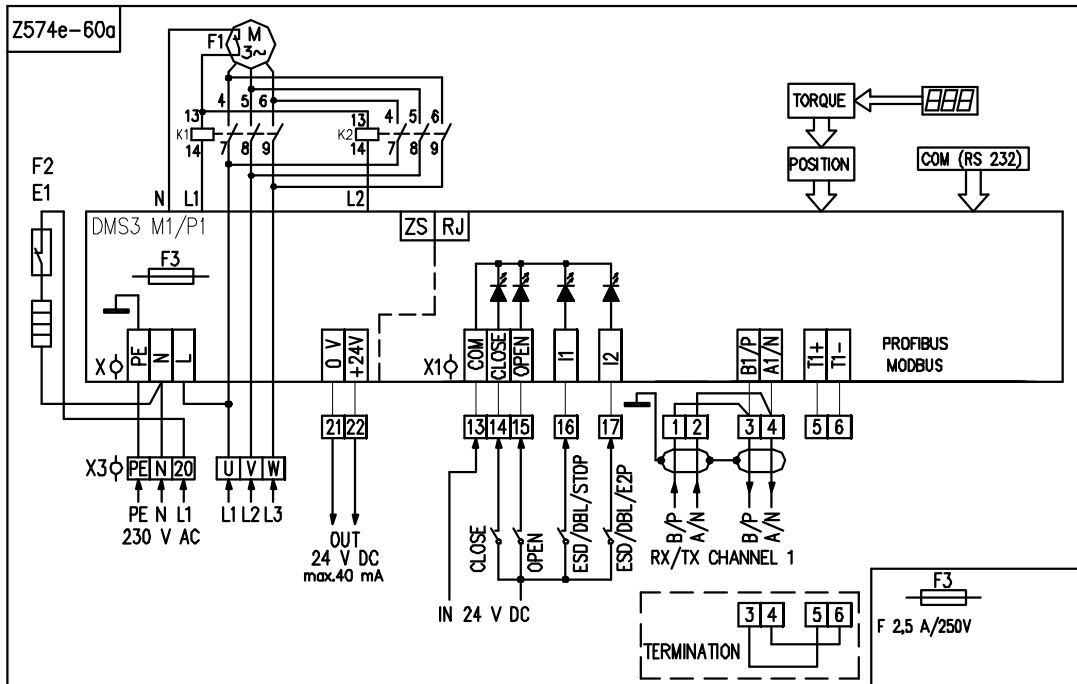
Wiring diagrams EA ULR 1PA-Ex– for 24V AC/DC, EA ULR 2PA-Ex - for 24V DC, electronic control with Modbus/Profibus



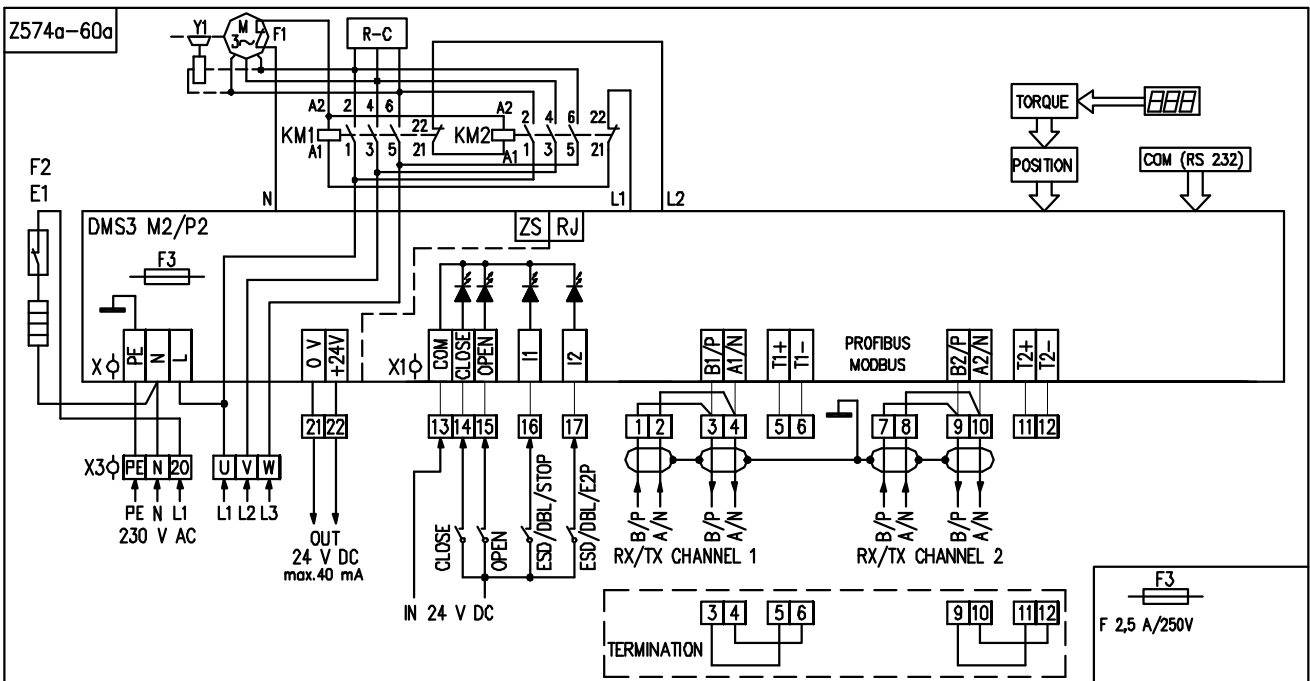
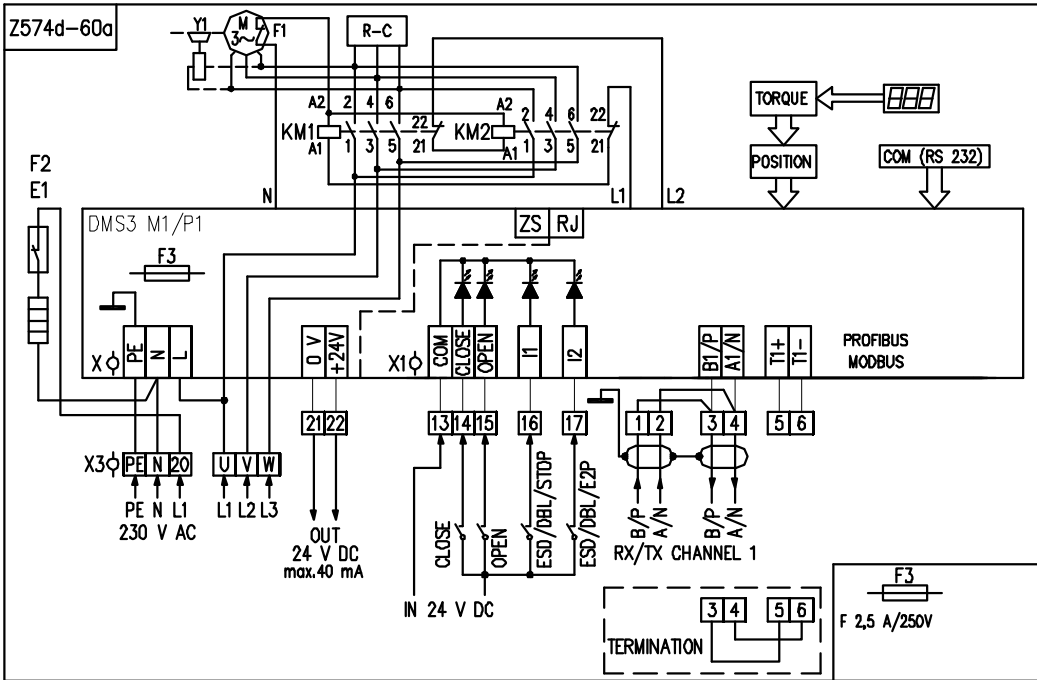
Wiring diagrams with of EA ULR 1PA-Ex, ULR2 PA-Ex electronic control with Modbus/Profibus protocol for single - phase supply – for ambient temperature -60°C do +40°



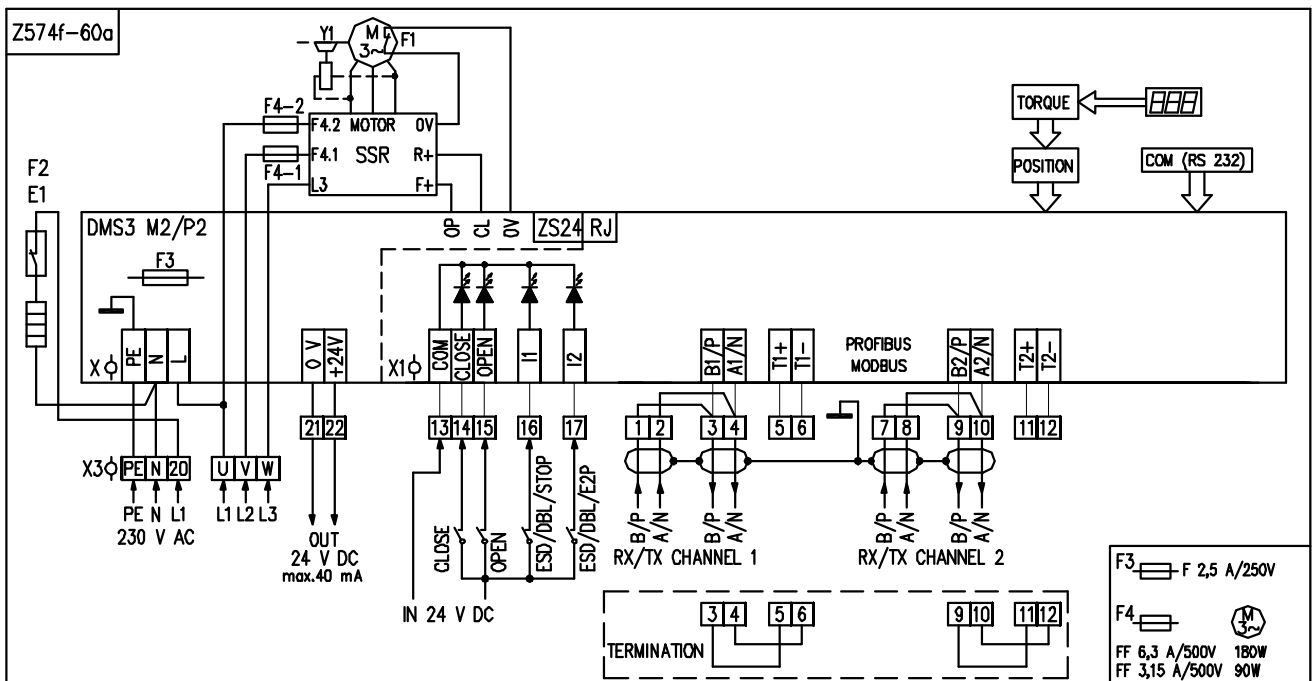
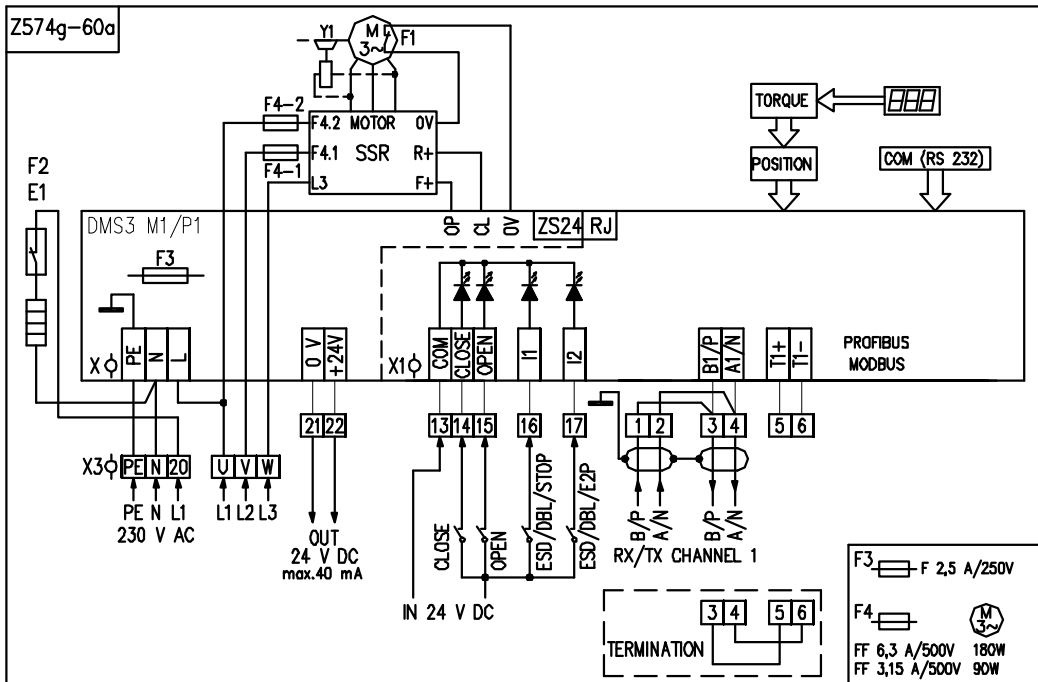
Wiring diagrams EA ULR 1PA-Ex – for 24 V AC/DC, ULR 2PA-Ex – for 24 V DC, electronic control with Modbus/Profibus protocol for single - phase supply – for ambient temperature -60°C do $+40^{\circ}$



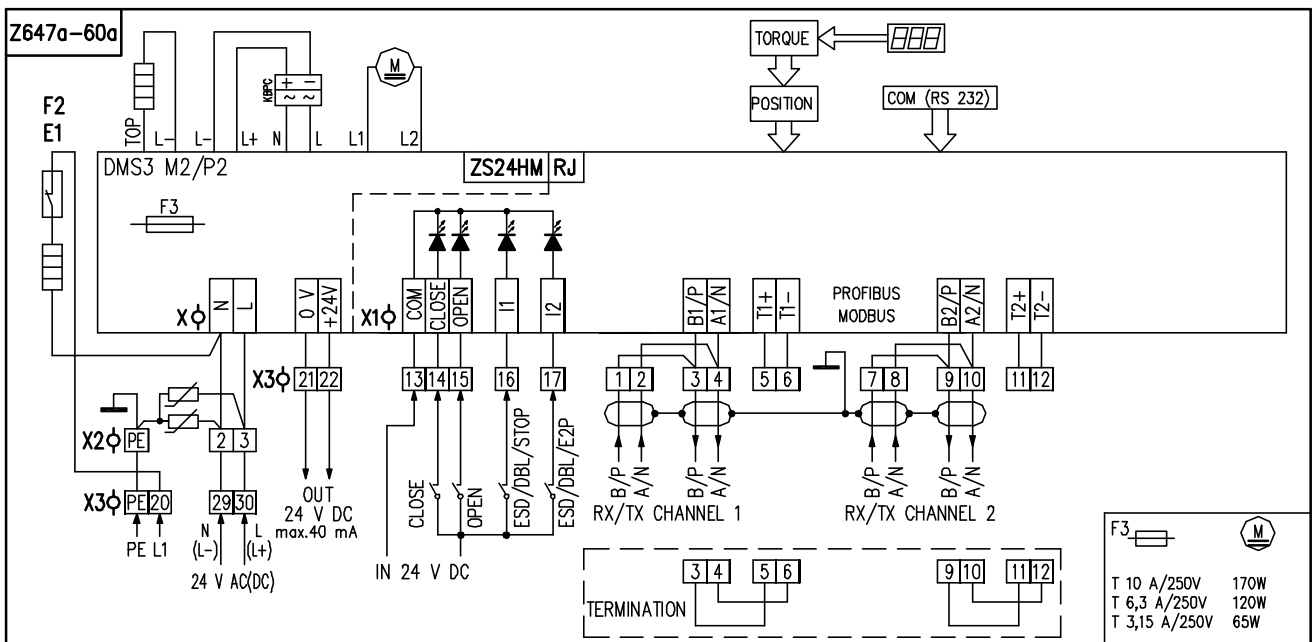
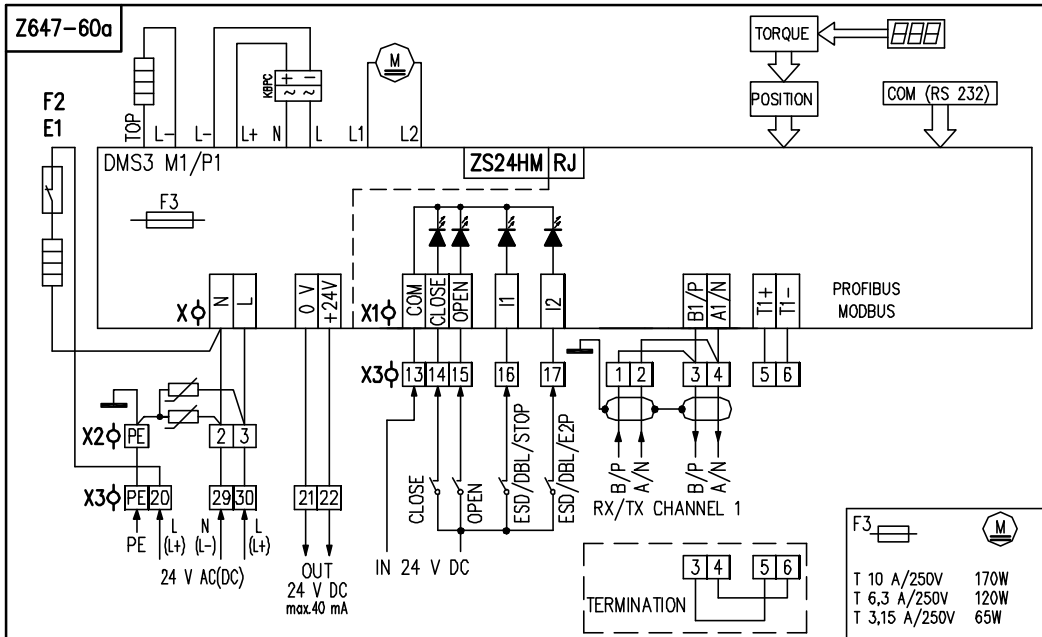
Wiring diagrams with of EA ULR 1PA-Ex, ULR2 PA-Ex electronic control with Modbus/Profibus protocol for single - phase supply – for ambient temperature -60°C do +40°



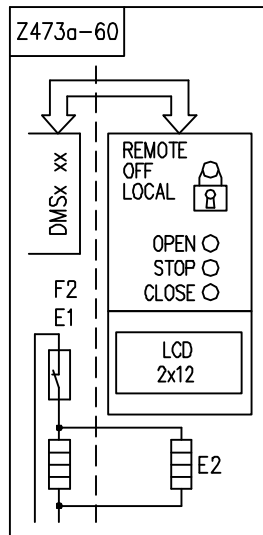
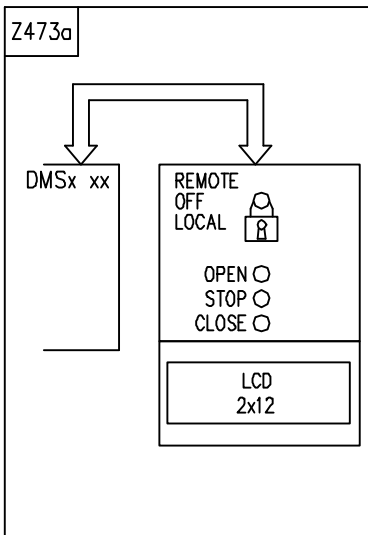
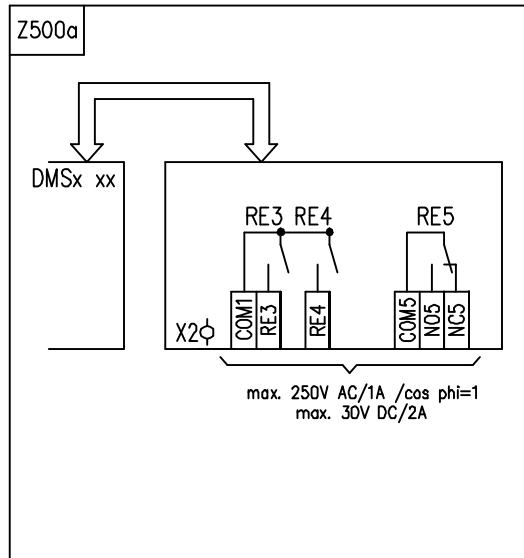
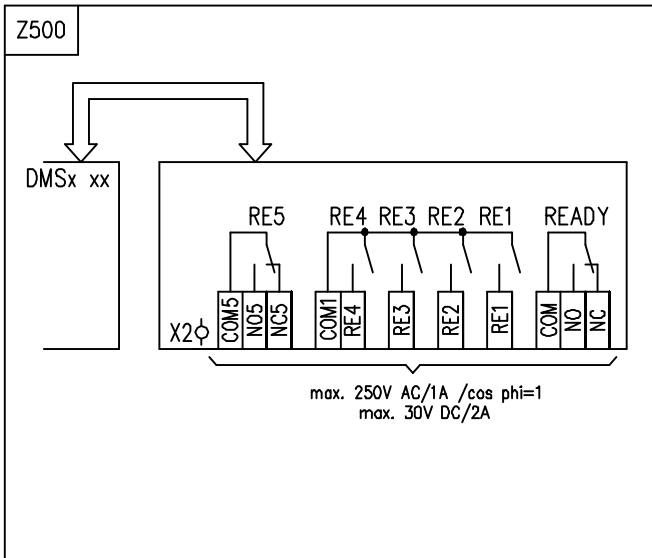
Wiring diagrams with of EA ULR 1PA-Ex, ULR2 PA-Ex electronic control with Modbus/Profibus protocol for three - phase supply – for ambient temperature -60°C do +40



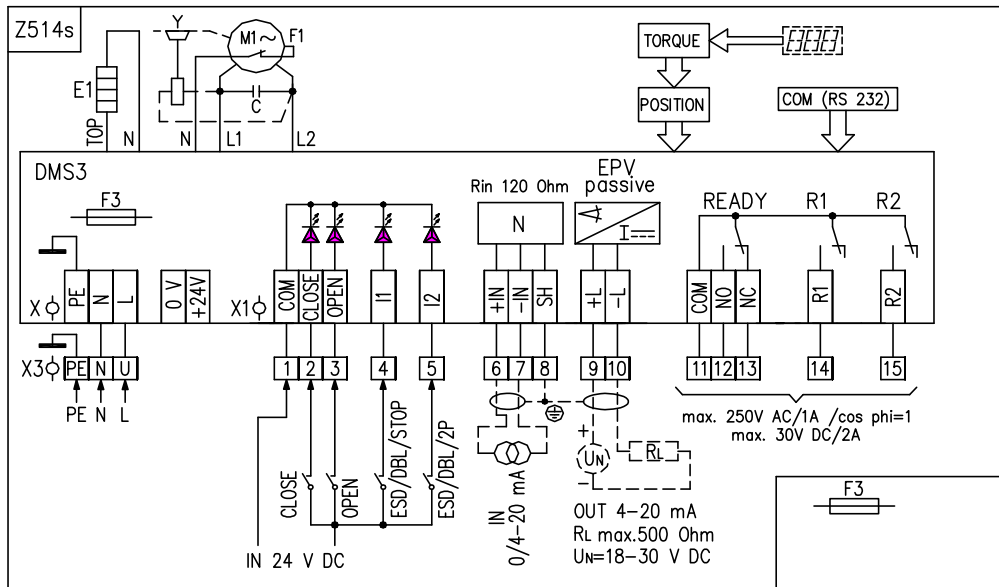
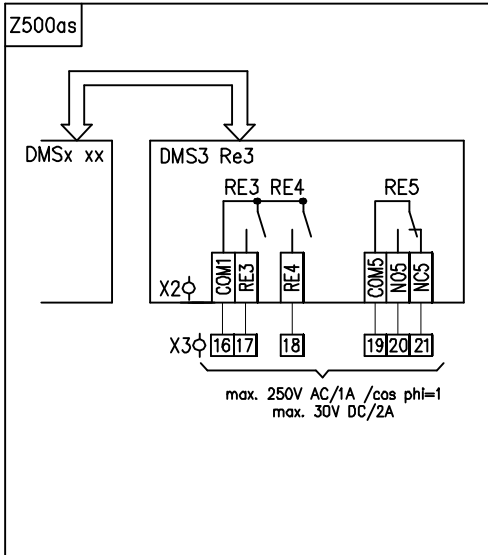
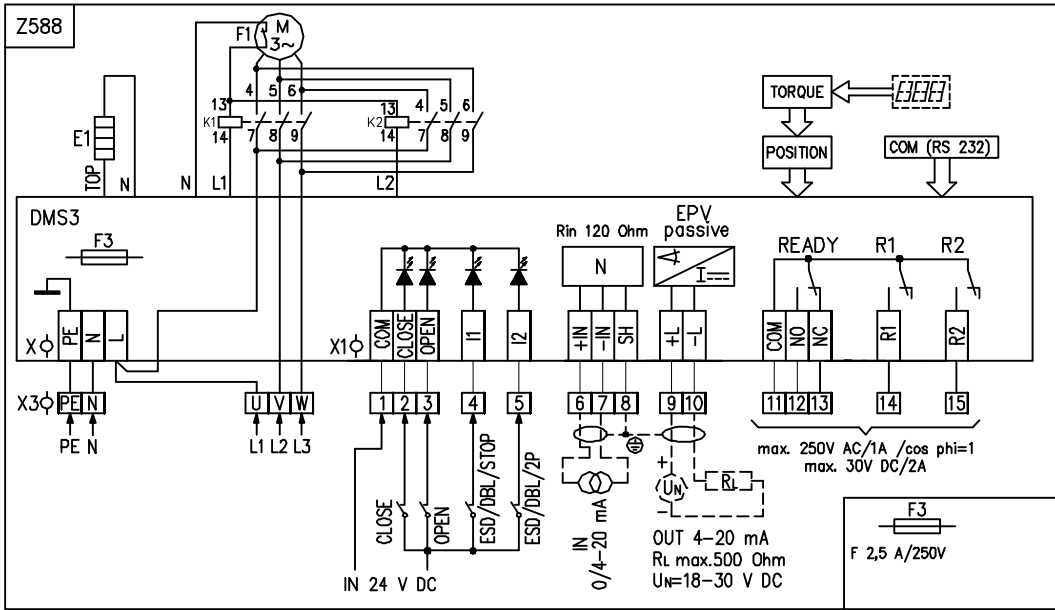
Wiring diagrams EA ULR 1PA-Ex- for 24V AC/DC, EA ULR 2PA-Ex - for 24V DC, electronic control with Modbus/Profibus – for ambient temperature -60°C do +40



Wiring diagrams for additional relays and local control



Wiring diagrams of customer versions



Legend:

The legend to the wiring diagrams Zxxx (eg Z574c-60a) is identical with wiring diagrams with connection to connector ZKxxx (eg ZK574cc).

Index -60a znamená, že schéma je pre servopohony, ktoré sú určené pre rozsah prevádzkovej teploty prostredia od **-60°C do +40°C**.

- Z473a.....wiring diagram of electric local control
- Z500.....wiring diagram module with 6 additional relays
- Z500a.....wiring diagram module with 3 additional relays
- Z500as.....wiring diagram module with 3 additional relays for terminal box with protection type "e"
- Z514.....wiring diagram of EA with 1-phase electric motor for the ON/OFF control or for analogue input 0/4/12 up to 20 mA, 4 up to 12 mA and output signal 4 - 20 mA
- Z514s.....wiring diagram of EA with 1-phase electric motor for the ON/OFF control or for analogue input 0/4/12 up to 20 mA, 4 up to 12 mA and output signal 4 - 20 mA and with terminal box with protection type "e"
- Z515.....wiring diagram of EA with 1-phase electric motor for the ON/OFF control
- Z523.....wiring diagram of EA with 1-phase electric motor for the ON/OFF control or for analogue input 0/2 - 10 V and output signal 4 - 20 mA
- Z532.....wiring diagram of EA ULR 1PA-E with 3-phase electric motor for the ON/OFF control or for analogue input 0/4/12 to 20 mA, 4 to 12 mA and output signal 4 - 20 mA
- Z536.....wiring diagram of EA ULR 1PA-Ex with 3-phase electric motor for the ON/OFF control or for analogue input 0/2 - 10 V and output signal 4 - 20 mA
- Z537.....wiring diagram of EA ULR 1PA-Ex with 3-phase electric motor for the ON/OFF control
- Z532b.....wiring diagram of EA ULR 2PA-Ex with 3-phase electric motor with contactors for the ON/OFF control or for analogue input 0/4/12 to 20 mA, 4 to 12 mA and output signal 4 - 20 mA
- Z536b.....wiring diagram of EA ULR 2PA-Ex with 3-phase electric motor with contactors for the ON/OFF control or for analogue input 0/2 - 10 V and output signal 4 - 20 mA
- Z537b.....wiring diagram of EA ULR 2PA-Ex with 3-phase electric motor with contactors for the ON/OFF control
- Z532f.....wiring diagram of EA ULR 2PA-Ex with - 3-phase electric motor - for the ON/OFF control or for analogue input 0/4 - 20 mA and output signal 4 - 20 mA. Contactless switching of electric motor. Contactless switching of electric motor.
- Z536f.....wiring diagram of EA with - for the ON/OFF control or for analogue input 0/2 - 10 V and output signal 4 - 20 mA. Contactless switching of electric motor.
- Z537f.....wiring diagram of EA with - for 3-phase electric motor the ON/OFF control (2P). Contactless switching of electric motor
- Z637.....wiring diagram of EA with direct voltage for the ON/OFF control or for analogue input 0/4/12 to 20 mA or 4 to 12 mA and output signal 4 - 20 mA – 24 V AC/DC
- Z637a.....wiring diagram of EA ULR 1PA-Ex with direct voltage for the ON/OFF control or for analogue input 0/2 - 10 V and output signal 4 - 20 mA
- Z637b.....wiring diagram of EA with direct voltage for the ON/OFF control
- Z647.....wiring diagram of EA with direct voltage with communication protocol MODBUS / PROFIBUS – 1 channel – 24 V AC/DC
- Z647a.....wiring diagram of EA with direct voltage with communication protocol MODBUS / PROFIBUS – redundand – 24 V AC/DC
- Z574.....wiring diagram of EA ULR XPA-Ex with 1-phase electric motor with communication protocol MODBUS / PROFIBUS – redundand
- Z574a.....wiring diagram of EA of EA ULR XPA-Ex with 3-phase electric motor with reverse contactors with communication protocol MODBUS / PROFIBUS - redundand.
- Z574b.....wiring diagram of EA with 3-phase electric motor with communication protocol MODBUS / PROFIBUS – redundand
- Z574c.....wiring diagram of EA with 1-phase electric motor with communication protocol MODBUS / PROFIBUS - 1 channel
- Z574d.....wiring diagram of EA with 3-phase electric motor with reverse contactors with communication protocol MODBUS / PROFIBUS - 1 channel
- Z574e.....wiring diagram of EA with 3-phase electric motor with communication protocol MODBUS / PROFIBUS - 1 channel
- Z574g.....wiring diagram of EA ULR 2PA-Ex with 3-phase electric motor with communication protocol MODBUS / PROFIBUS - 1 channel. Contactless switching of electric motor
- Z532c.....wiring diagram of EA with wired 3-phase electric motor for the ON/OFF control or for analogue input 0/4/12 to 20 mA, 4 to 12 mA and output signal 4 - 20 mA - EA ULR 2PA-Ex
- Z532d.....wiring diagram of EA with wired 3-phase electric motor for the ON/OFF control or for analogue input 0/4/12 to 20 mA, 4 to 12 mA and output signal 4 - 20 mA - EA ULR 1PA-Ex
- Z536c.....wiring diagram of EA with wired 3-phase electric motor for the ON/OFF control or for analogue input 0/2 - 10 V and output signal 4 - 20 mA - EA ULR 2PA-Ex

Z536d.....wiring diagram of EA with wired 3-phase electric motor for the ON/OFF control or for analogue input 0/2 - 10 V and output signal 4 - 20 mA – EA - ULR 1PA-Ex
 Z537c.....wiring diagram with wired 3-phase electric motor for the ON/OFF control - EA ULR 2PA-Ex
 Z537d.....wiring diagram with wired 3-phase electric motor for the ON/OFF control - EA ULR 1PA-Ex
 Z588.....wiring diagram of EA with output 3-phase electric motor for ON / OFF control or for analog input signal 0/4/12 to 20 mA or 4 to 12 mA and output signal 4 - 20 mA for ES ULR 1PA-Ex and with terminal box with protection type "e".

Ccapacitor
 COM(RS232) ...possibility for connecting the control unit to and PC
 EPV passive ...electronic position transmitter is passive with output current signal
 E1.....space heater
 F1.....motor`s thermal protection
 F3.....fuse of voltage supply source
 KM1, KM2coil of contactor
 K1,K2coil of relay

 M.....single phase electric motor
 Ncontroller
 POSITION.....position scanning
 R_{in}input resistance
 R_L.....load resistance
 U_N.....voltage for EPV
 READY.....READY relay (free-programmable)
 R1 to RE5additional relays
 TORQUE.....thrust scanning
 DMS3electronic module
 DMS3 M1/P1 ...electronic module with interface Modbus/Profibus 1 Channel version
 DMS3 M2/P2 ...electronic module with interface Modbus/Profibus Redundant version

 X.....voltage supply source terminal board with screw terminals
 X1.....terminal board with screw terminals on the control unit
 X2.....screw terminal box on the additional relays board
 X3.....screw, resp. terminal boards with spring connection (for Modbus/Profibus version)
 X3.....screw, resp. terminal boards with spring connection (for Modbus/Profibus version)

Terminals for DMS3:

PE, N, L - terminals (0,05-1,5 mm²) of supply (24 V AC resp. 110/120 V AC, resp. 220/230 V AC, 50/60 Hz (according to the specification – voltage and frequency are stated on nameplate of EA)
 2, 3, 4 – terminals (0,08-2,5 mm²) of supply 3-phase motor 3x400 resp. 3x380 V AC resp. 3x415 V AC
 5,6 - terminals (0,08-2,5 mm²) wired motor/s thermal protection
 OP, CL - terminals (0,08 - 2,5 mm²) of the outputs of the direction rotations of the electric actuators (220/230 V AC)
 0 V, +24 V – terminals (max. 1,5 mm²) of output voltage 24 V DC (40 mA)
 COM, CLOSE OPEN, I1, I2 – terminals (0,05 - 1 mm²) of control inputs 24 V /DC
 +IN, -IN, SH – terminals (0,05 - 1 mm²) of analogue input signal 0/4/12 up to 20 mA, resp.4 up to 12 mA
 +L, -L, SH – terminals (0,05 - 1 mm²) of output current signal (passive) 4-20 mA
 COM, NO, NC, R1, R2 – terminals (0,05 - 1,5 mm²) READY relay, R1 and R2 relay on control unit
 COM5, NO5, NC5 – terminals (0,05 – 1,5 mm²) relay R1, R2 (on module of the additional relays)
 COM1, RE4, RE3, RE2, RE1 - terminals (0,05 – 1,5 mm²) of relay RE3, RE4 (on module of the additional relays)
 COM, NO, NC – terminals (0,05 – 1,5 mm²) relay RE5 (on module of the additional relays)

Terminals for DMS3 24 V AC/DC:

2, 3 – terminals (0,08 - 2,5 mm²) of supply 24 V AC/DC
 0 V, +24 V – terminals (max. 1 mm²) of output voltage 24 V DC (40 mA)
 COM, CLOSE OPEN, I1, I2 – terminals (0,05 - 1 mm²) of control inputs 24 V DC
 +IN, -IN, SH – terminals (0,05 - 1 mm²) of analogue input signal 0/4/12 až 20 mA, resp.4 až 12 mA
 +L, -L, SH – terminals (0,05 - 1 mm²) of output current signal (passive) 4-20 mA
 COM, NO, NC, R1, R2 – terminals (0,05 - 1,5 mm²) READY relay, R1 and R2 relay on control unit
 COM5, NO5, NC5 – terminals (0,05 – 1,5 mm²) relay R1, R2 (on module of the additional relays)
 COM1, RE4, RE3, RE2, RE1 - terminals (0,05 – 1,5 mm²) of relay RE3, RE4 (on module of the additional relays)
 COM, NO, NC – terminals (0,05 – 1,5 mm²) relay RE5 (on module of the additional relays)

Terminals for DMS3 Modbus/Profibus:

- screwless terminals are in separately terminal box. cross-section of connection wire 0,08 - 2,5 mm²
- PE,N, U - terminals of supply voltage 230 V AC
- PE,N,U,V,W - terminals of supply voltage 3x400 V AC
- 1,2,3,4,5,6 - terminals 1 channel interface Modbus/Profibus
- 7,8, 9,10, 11,12 – terminals Redundant interface Modbus/Profibus
- 21,22 – terminals of output voltage 24 V DC (40 mA)
- 13,14,15,16,17 – terminals of control inputs 24 V DC.

Note 1: On terminal N, L terminal power supply (X) feed supply voltage 230 V AC, or 24 V AC by you - specified type of construction EA. For supply voltage 24 V AC no need connect ground wire PE. For a version of EA with the supply voltage 3x400 or 3x380V, terminals N, L on terminal board of power supply (X) are fed by power supply 220 respectively 230 V AC.

Note 2: Three-phase electric motor in the electric actuators ULR 1PA-Ex do not have thermal protection of the electromotor F1(thermal protection of the electric motor is inbuilt).

*Note 3: Program possibilities for **R1, R2, RE3, RE4, RE5** relays: DISABLED, open position, close position, torque-open, torque – close, torque open or torque close, torque open or position open, torque close or position close, open, close, movement, movement flasher, to position, from position, warning, remote control, local control, control shut off.*

Program possibilities for output signal (from **EPV** passive): 4 to 20 mA, 20 to 4 mA.

Control programme options (regulating)(**this does not apply to EA's equipped with a Modbus/Profibus protocol**): 2P, 3P, 3P/2P switched over to I2

Program possibilities for **input control signal (N)**: 4 to 20 mA, (2 to 10 V), 20 to 4 mA, (10 to 2 V), 0 to 20 mA, (0 to 10 V), 20 to 0 mA. (10 to 0 V), 4 to 12 mA, 12 to 4 mA, 12 to 20 mA, 20 to 12 mA

- Program possibilities for setting Modbus communication protocol:

address – 1 to 247

baudrate [bit/s] – 1200, 2400, 4800, 9600, 19200, 38400, 57600, 115200

parity – even, odd, none

redundancy –off, cable, component, repeater

connect time [s] – 0,1 to 25,5s

Program possibilities - for Profibus protocol

Address 1 – 1 ... 126

Address 2 – 1126

Redundancy: - Off, Simple

Program possibilities for **inputs I1**: DISABLED, ESD, DBL (local releasing, remote releasing - not valid for EA without local control), STOP.

Program possibilities for **inputs I2**: DISABLED, ESD, DBL (local releasing, remote releasing), STOP

2P (when controller is switch on)(for control programme option 3P/2P I2)) allows control using the binary 24V DC inputs with I2 input activated.

Program possibilities of **FAILURE REACTION**: OPEN, CLOSE, STOP, SAFE POSITION.

The identical functions cannot be set on I1 &I2 inputs in addition to the disabled state (e.g., if the ESD function is set on I1 input, it is not possible to select the (ESD) function on I2 input at the same time.

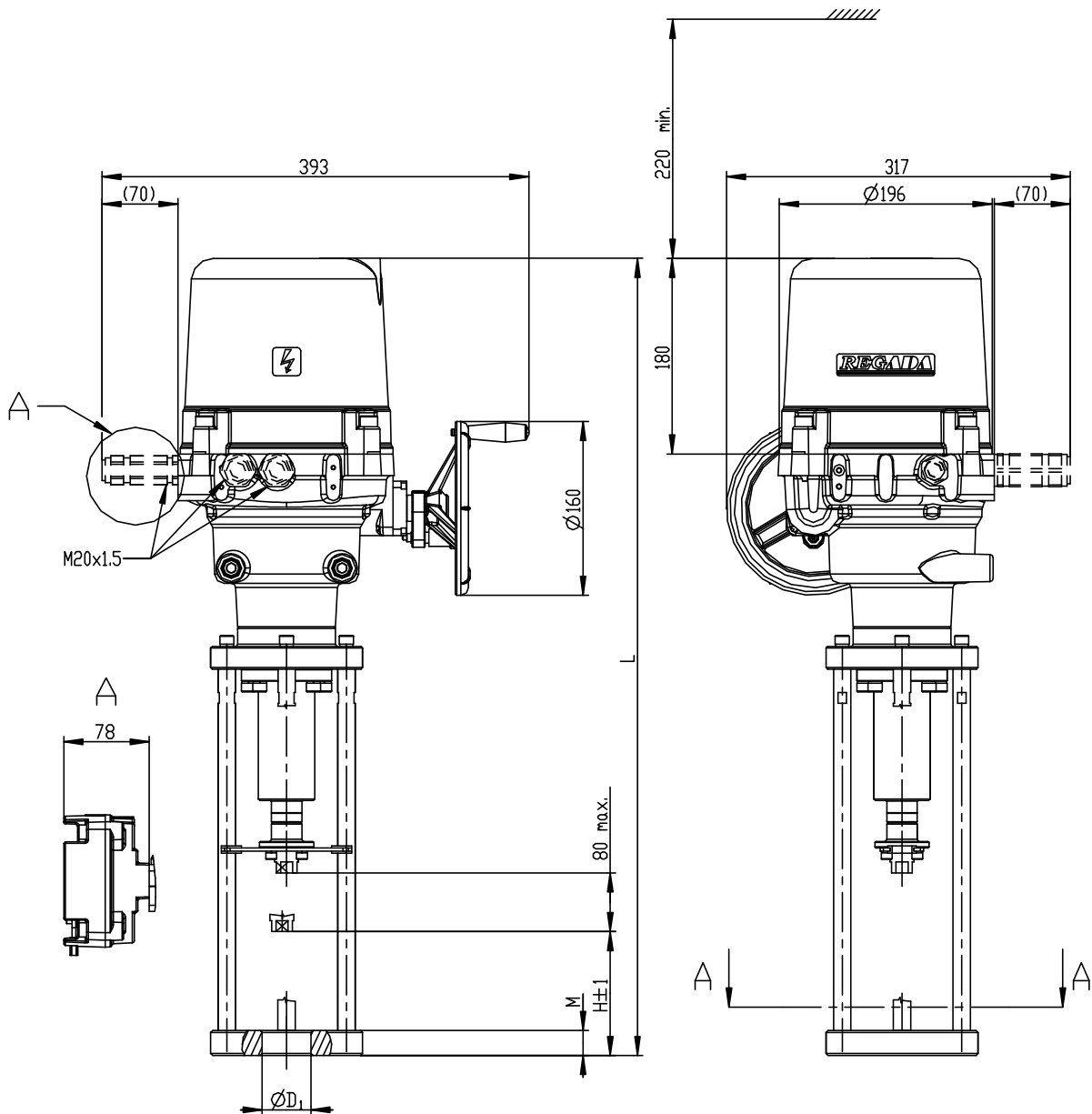
Relay **READY** on the control unit is doubled with relay **READY** on the power supply board.

Relay **R1** and relay **R2** on the control unit is doubled with relay **RE1** and relay **RE2** on the power supply board.

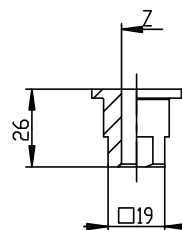
7.1 Dimensional drawings

Explosion-proof electric linear actuator Rematic ULR 1PA-Ex

P-2057

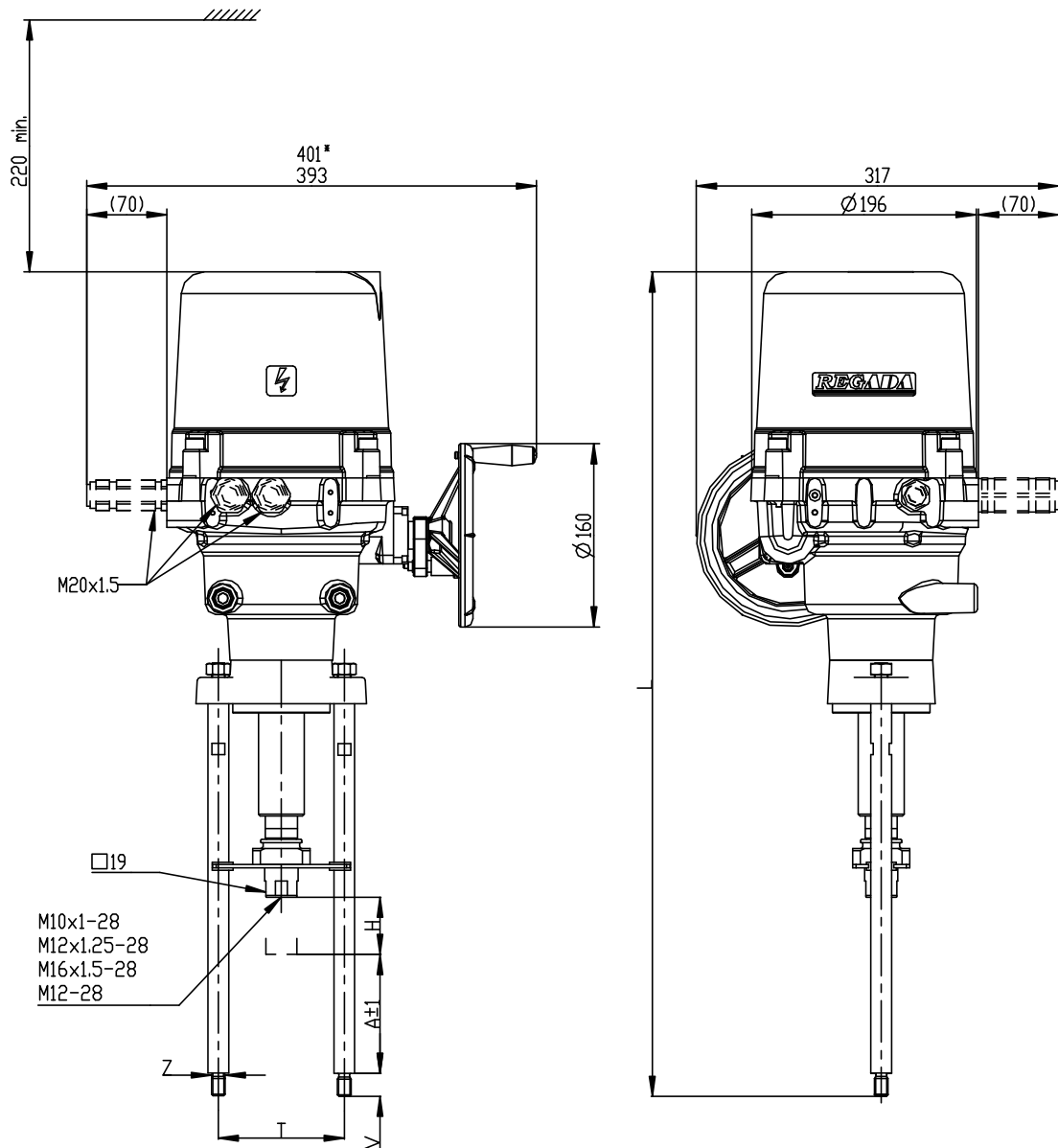


P-2057/H	57.15	H7	102	748	30	E
P-2057/G	57.15	H7	92	738	30	
P-2057/F	65.15	H7	110	756	30	
P-2057/E	65.15	H7	85	731	23	D
P-2057/D	45	H12	50	696	17	
P-2057/C	45	H12	75	721	17	G
P-2057/B	45	H12	100	746	23	
P-2057/A	45	H12	90	736	23	
	D ₁	H	L	M		



M8-6H
M10x1-28
M10x1.5-28
M12-28
M12x1.25
M12x1.5-6H
M14-28
M16x1.5-28
7/8"-9UN
Z

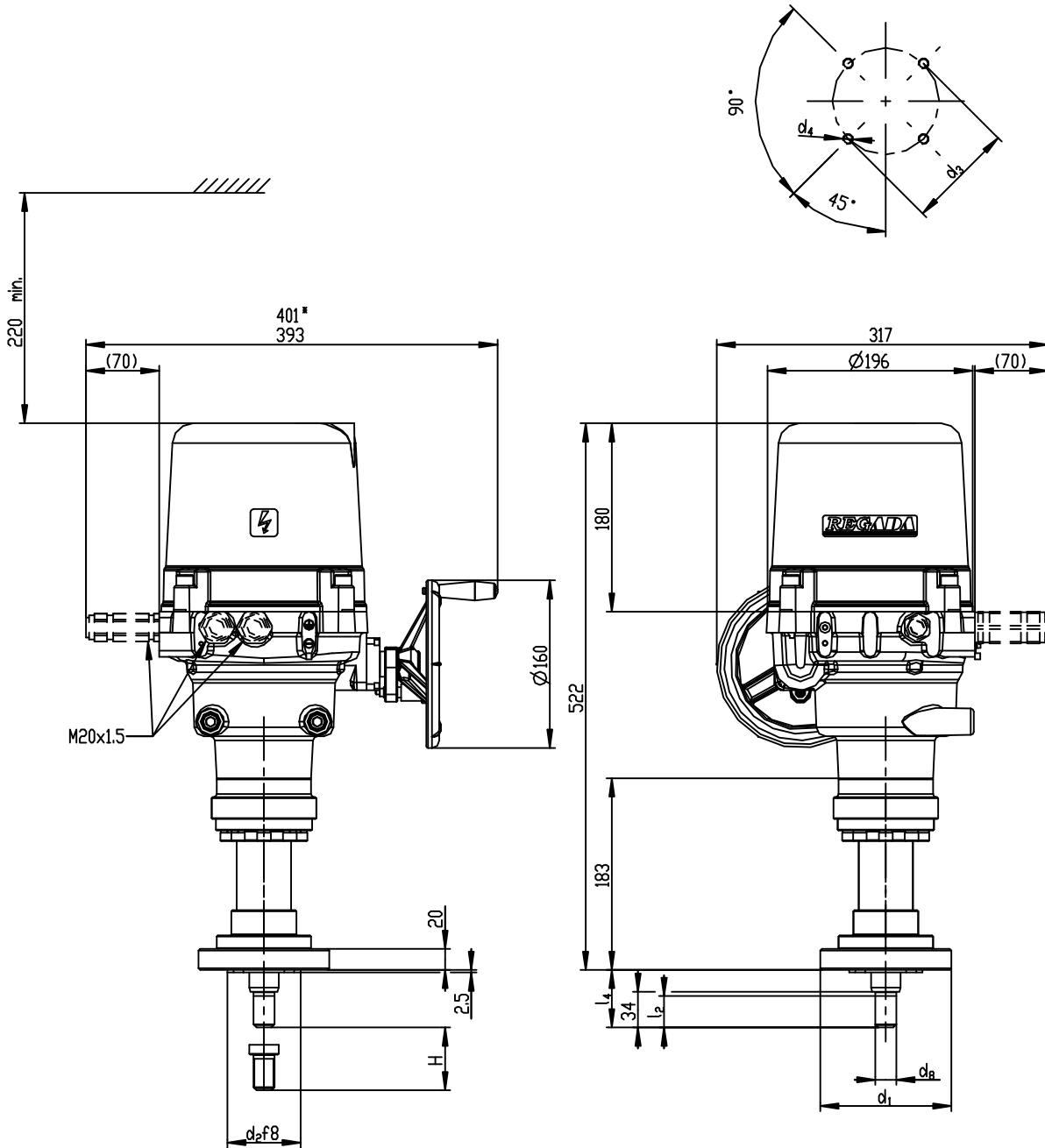
P-2053



110	MAX. 50 (80)	100	M16	16	726
57		100	M16	16	673
27		100	M16	16	643
80		110	M12	32	696
42		110	M12	20	658
127		110	M12	20	743
A	H	T	Z	V	L

* - PLATI PRE VYHOTOVENIE S MIESTNYM OVLADANIM
 /* - VALID FOR VERSION WITH CONNECTOR/

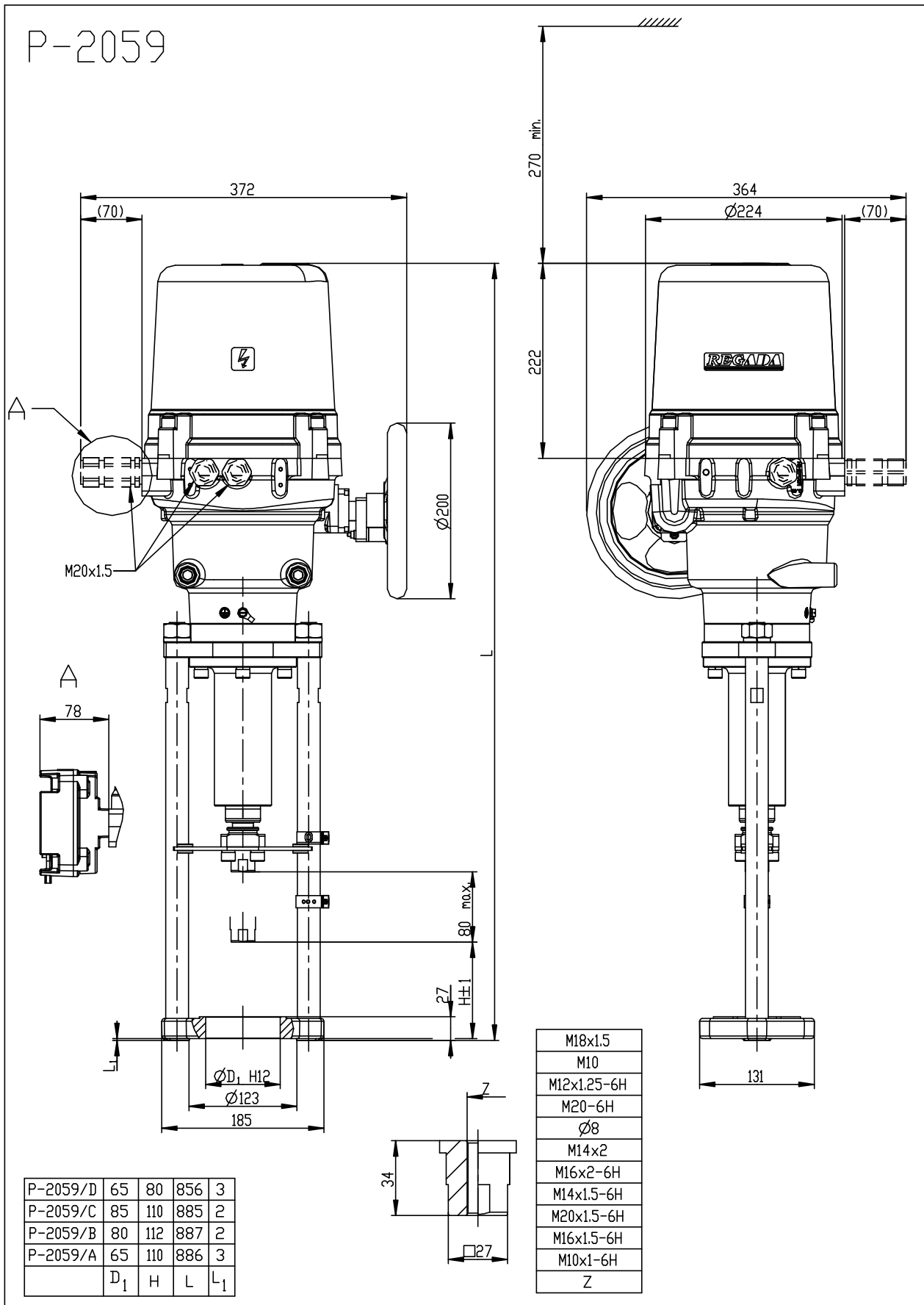
P-2055



P-2055/B	F10	125	70	102	M10	30	55	M20x1.5	60
P-2055/A	F07	90	55	70	M8	25	50	M15x1.5	40
VYHOTOVENIE	PRIRUBA /FLANGE/	d_1	d_2	d_3	d_4	l_2	l_4	d_8	H

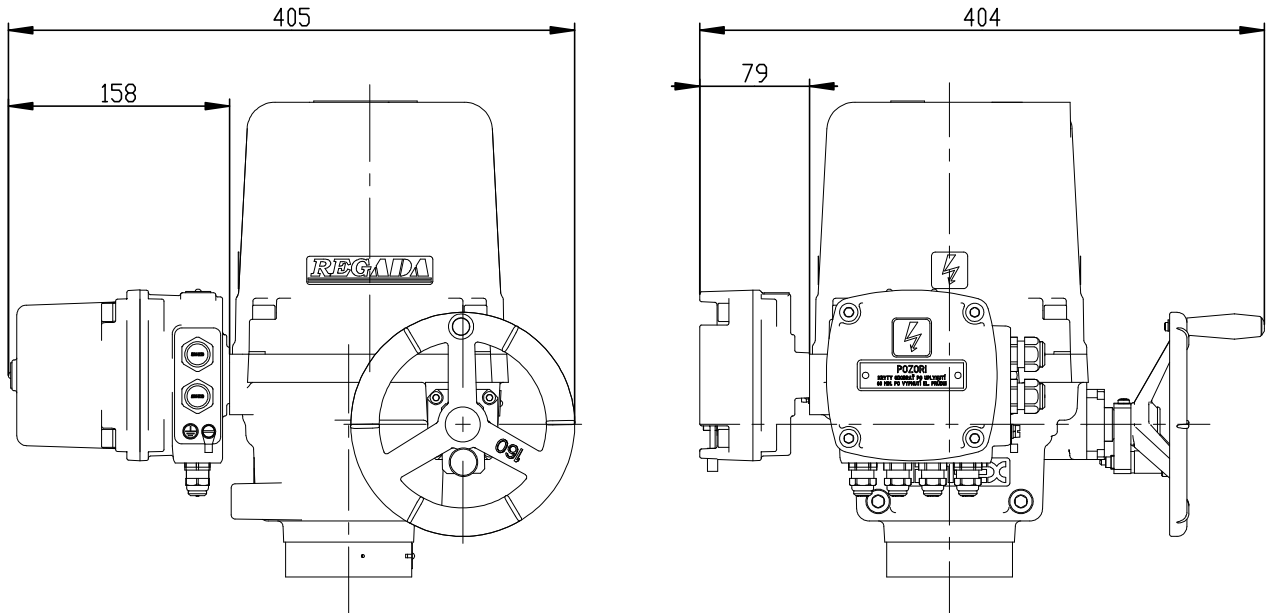
* - PLATI PRE VYHOTOVENIE S MIESTNYM OVLADANIM
/* - VALID FOR VERSION WITH CONNECTOR/

Explosion-proof electric linear actuator Rematic ULR 2PA-Ex



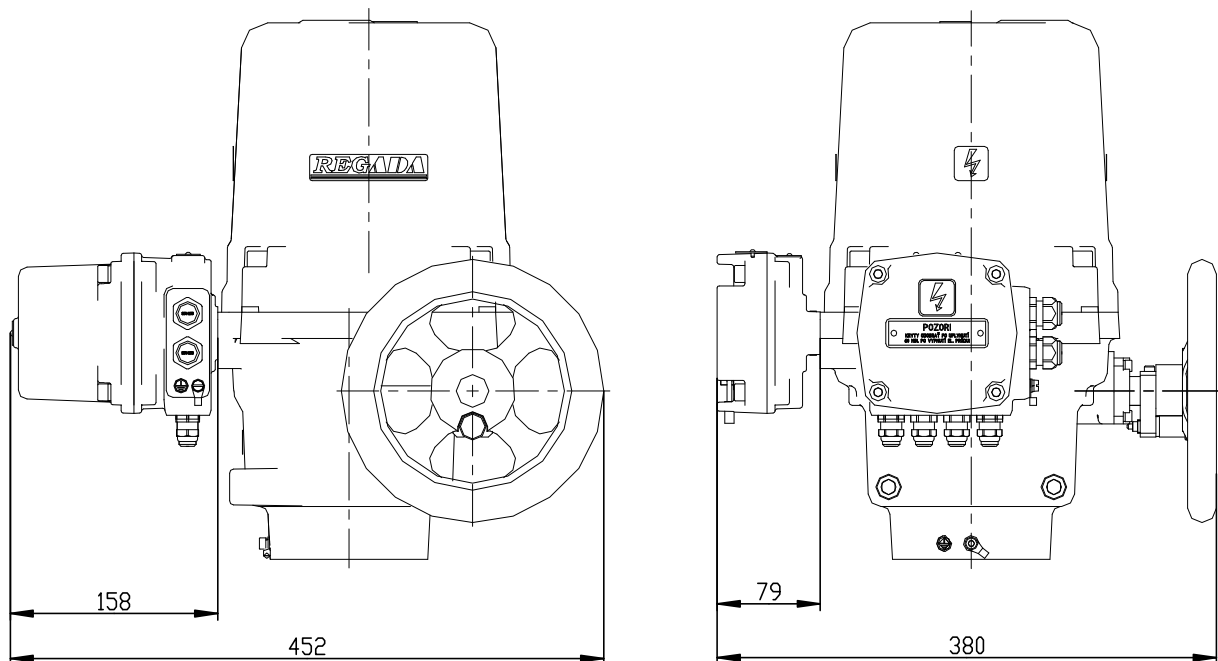
Explosion-proof electric linear actuator Rematic ULR 1PA-Ex – version with local control

P-2082



Explosion-proof electric linear actuator Rematic ULR 2PA-Ex – version with local control

P-2083



7.2 Guarantee service check report

Service center:	
Date of repair:	Guarantee repair no.:
User of actuator:	Claim applied by:
Actuator type number:	Actuator production number:
Product claim fault:	Detected product fault:
Used spare parts:	
Remarks:	
Issued on a day:	Signature:

7.3 Post guarantee service check report

Service center:	
Date of repair:	
User of actuator:	Actuator operating place :
Actuator type number:	Actuator production number:
Detected product fault:	
Used spare parts:	
Remarks:	
Issued on a day:	Signature:

7.4 Commercial representation

Slovak Republic:

Regada, s.r.o.,
Strojnícka 7,
080 01 Prešov
Tel.: +421 (0)51 7480 460,
Fax: +421 (0)51 7732 096,
E-mail: regada@regada.sk