

Technické údaje

Médium

- voda, para, vzduch, čiastočne agresívne médiá

Teplota média

- PTFE -10°C + +200 °C

Viskozita média

- do 600 mm²/s

Teplota okolia

- 10°C ÷ +60 °C

Ovládacie médium

- vzduch, neutrálny plyn

Použité materiály

- teleso - korozivzdorná oceľ
- tiahlo - korozivzdorná oceľ
- tesnenie sedla - PTFE - štandard,
- upchávka - PTFE
- tesnenia piestu - MVQ

Montážna poloha

- ľubovoľná. Vizúálna kontrola otvorenia ventilu.

Technical data

Medium

- water, steam, air, oil, partly aggressive medium

Media temperature

- PTFE -10°C + +200°C

Viscosity media

- up to 600 mm²/s

Ambient temperature

- 10°C ÷ +60 °C

Controlled medium

- air and neutral gases

Materials

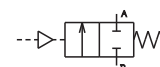
- body - stainless steel
- stem - stainless steel
- core seal - PTFE as standard
- packing - PTFE chevrons
- piston sealing - MVQ

Mounting position

- optional. Visual position indicator.



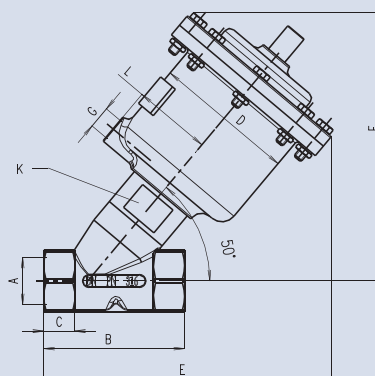
PIESTOVÉ VENTILY DOJCESTNÉ \2/2 WAY PISTON VALVES\



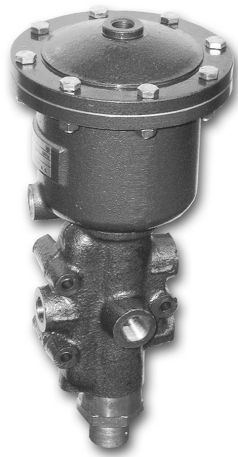
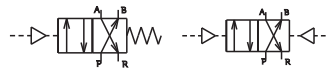
Piestové ventily dvojcestné v základnej polohe uzatvorené
2-way piston valves normally closed

| Typ \Type\ | Pripojenie \Connection\ | Svetlosť \Diameter\ [mm] | Prietok \Flow rate\ [m ³ /h] | Pracovný tlak \Working pressure\ [MPa] | Ovládaci tlak \Control pressure\ [MPa] | | Funkcia \Function\ [MPa] | Pohon d \Actuator d\ [mm] | Hmotnosť \Weight\ [kg] |
|---------------|----------------------------|----------------------------------|---|--|--|--------------|--------------------------------------|-----------------------------------|--------------------------------|
| | | | | | min. [MPa] | max. [MPa] | | | |
| 2VP15Z80 | G1/2 | 15 | 3,4 | 0 - 2,5 | 0,35 | 1 | Tlak nad sedlo \Over seat pressure\ | 80 | 2,2 |
| | | | | | 0,45 | 1 | Tlak pod sedlo \Under seat pressure\ | 80 | 2,2 |
| 2VP20Z80 | G3/4 | 20 | 6,8 | 0 - 2,5 | 0,4 | 1 | Tlak nad sedlo \Over seat pressure\ | 80 | 2,4 |
| | | | | | 0,45 | 1 | Tlak pod sedlo \Under seat pressure\ | 80 | 2,4 |
| 2VP25Z80 | G1 | 25 | 18 | 0 - 2,0 | 0,35 | 1 | Tlak nad sedlo \Over seat pressure\ | 80 | 2,8 |
| | | | | 0 - 1,6 | 0,45 | 1 | Tlak pod sedlo \Under seat pressure\ | 80 | 2,8 |
| 2VP32Z80 | G1 1/4 | 32 | 18 | 0 - 1,5 | 0,45 | 1 | Tlak nad sedlo \Over seat pressure\ | 80 | 5,1 |
| 2VP40Z80 | G1 1/2 | 40 | 22,5 | 0 - 1,0 | 0,45 | 1 | Tlak nad sedlo \Over seat pressure\ | 80 | 3,6 |
| 2VP50Z80 | G2 | 50 | 31 | 0 - 0,6 | 0,45 | 1 | Tlak nad sedlo \Over seat pressure\ | 80 | 4,6 |

Rozmery \Dimensions\



| Typ \Type\ | Pohon d \Actuator d\ [mm] | A | B | C | D | E | F | G | L | K |
|---------------|-----------------------------------|---------|-----|----|----|-----|-----|-------|----|----|
| 2VP15Z80 | 80 | G 1/2 | 68 | 15 | 90 | 174 | 165 | G 1/4 | 50 | 36 |
| 2VP20Z80 | 80 | G 3/4 | 75 | 16 | 90 | 181 | 168 | G 1/4 | 50 | 36 |
| 2VP25Z80 | 80 | G 1 | 90 | 17 | 90 | 185 | 171 | G 1/4 | 50 | 36 |
| 2VP32Z80 | 80 | G 1 1/4 | 117 | 28 | 90 | 205 | 185 | G 1/4 | 50 | 36 |
| 2VP40Z80 | 80 | G 1 1/2 | 116 | 22 | 90 | 213 | 182 | G 1/4 | 50 | 36 |
| 2VP50Z80 | 80 | G 2 | 138 | 30 | 90 | 236 | 196 | G 1/4 | 50 | 36 |



Technické údaje

Médium

- neagresívne média

Teplota média

- +2°C + +60 °C

Teplota okolia

- +2°C + +60 °C

Ovládacie médium

- vzduch, neutrálny plyn

Použité materiály

- teleso - mosadz
- posúvač - antikoročná ocel'
- tesnenia - NBR
- teleso ovládača, piest - Al zliatina

Montážna poloha

- ľubovoľná

Technical data

Medium

- nonaggressive medium

Media temperature

- +2°C + +60°C

Ambient temperature

- +2°C + +60 °C

Controlled medium

- air and neutral gases

Materials

- body - brass
- stem - stainless steel
- seal - NBR
- body of actuator - aluminium

Mounting position

- optional

**PIESTOVÉ ROVÁDZAČE ŠTVORCESTNÉ MONOSTABILNÉ A BISTABILNÉ
4/1 AND 4/2 WAY PISTON ACTUATED VALVES**

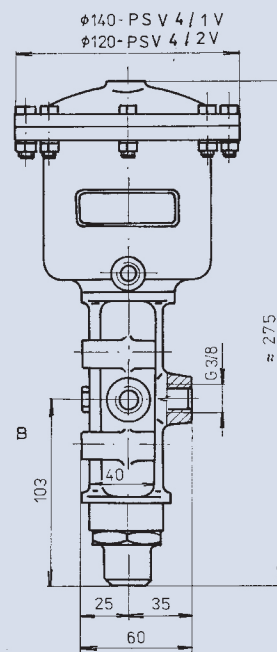
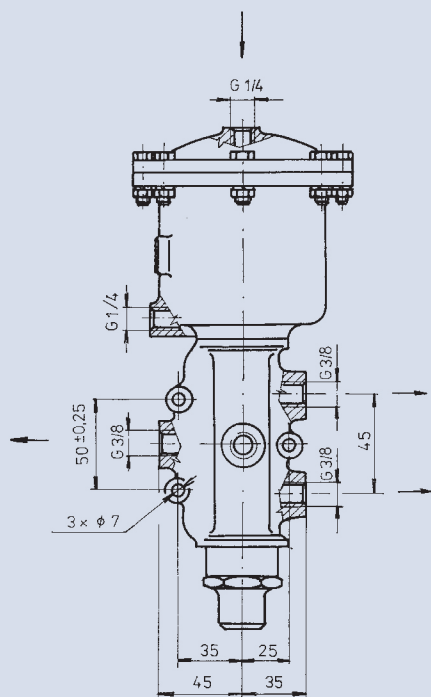
| Typ (Type) | Pripojenie (Connection) | Svetlosť (Diameter) [mm] | Pracovný tlak (Working pressure) [MPa] | Ovládaci tlak (Control pressure) | | Prietok (Flow factor) | | Hmotnosť (Weight) [kg] |
|---------------|----------------------------|----------------------------------|--|-------------------------------------|-------------|------------------------------|--------------------------|--------------------------------|
| | | | | min.[MPa] | max.[MPa] | smer prietoku (direction) | Kv [m ³ /h] | |
| PSV 4/1 V | G 3/8 | 10 | 0 - 2,5 | 0,21 | 0,28 | P - A; P-B | 1,55 | 5 |
| | | | | | | B - R; A-R | 1,66 | |
| PSV 4/2 V | G 3/8 | 10 | 0 - 2,5 | 0,12 | 0,17 | P - A; P-B | 1,55 | 4 |
| | | | | | | B - R; A-R | 1,66 | |

Pozn.: Pripojenie ovládacieho média - G 1/4 / Note: Connection of control pressure - G 1/4.

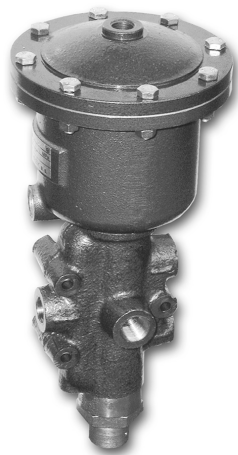
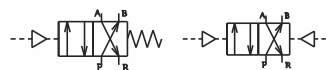
PSV 4/1 V - monostabilná funkcia / monostabil function

PSV 4/2 V - bistabilná funkcia / bistabil function

Rozmery (Dimensions)



Piestové rovádzače Piston actuated valves



Technické údaje

Médium

- neagresívne média

Teplota média

- +2°C ÷ +60 °C

Teplota okolia

- +2°C ÷ +60 °C

Ovládacie médium

- vzduch, neutrálny plyn

Použité materiály

- teleso - mosadz
- posúvač - antikoročná oceľ
- tesnenia - NBR
- teleso ovládača, piest - Al zliatina

Montážna poloha

- ľubovoľná

Technical data

Medium

- nonaggressive medium

Media temperature

- +2°C ÷ +60°C

Ambient temperature

- +2°C ÷ +60 °C

Controlled medium

- air and neutral gases

Materials

- body - brass
- stem - stainless steel
- seal - NBR
- body of actuator - aluminium

Mounting position

- optional

PIESTOVÉ ROVÁDZAČE ŠTVORCESTNÉ MONOSTABILNÉ A BISTABILNÉ 4/1 AND 4/2 WAY PISTON ACTUATED VALVES

| Typ (Type) | Pripojenie (Connection) | Svetlosť (Diameter) [mm] | Pracovný tlak (Working pressure) [MPa] | Ovládaci tlak (Control pressure) | | Prietok (Flow factor) | | Hmotnosť (Weight) [kg] |
|---------------|----------------------------|----------------------------------|--|-------------------------------------|-------------|---------------------------|--------------------------------------|--------------------------------|
| | | | | min.[MPa] | max.[MPa] | smer prietoku (direction) | K _v [m ³ /h] | |
| PSV 4/1 V | G 3/8 | 10 | 0 - 2,5 | 0,21 | 0,28 | P - A; P - B | 1,55 | 5 |
| | | | | | | B - R; A - R | 1,66 | |
| PSV 4/2 V | G 3/8 | 10 | 0 - 2,5 | 0,12 | 0,17 | P - A; P - B | 1,55 | 4 |
| | | | | | | B - R; A - R | 1,66 | |

Pozn.: Pripojenie ovládacieho média - G 1/4 / Note: Connection of control pressure - G 1/4.

PSV 4/1 V - monostabilná funkcia / monostabil function



PSV 4/2 V - bistabilná funkcia / bistabil function



Rozmery (Dimensions)

